

*Oxford*

OXFORD HOIST PARTS MANUAL

*Oxford*

# OXFORD HOIST PARTS MANUAL

JULY 2002

JULY 2002



# CHAPTER 1 : NEW OXFORD

---



Sunrise Medical is ISO 9001 certified, which ensures quality at all stages of the development and production of this hoist.

## Contents

MODEL	SERIAL NO. RANGE	PAGE
NEW OXFORD - STANDARD & LOW		1.3

## IMPORTANT

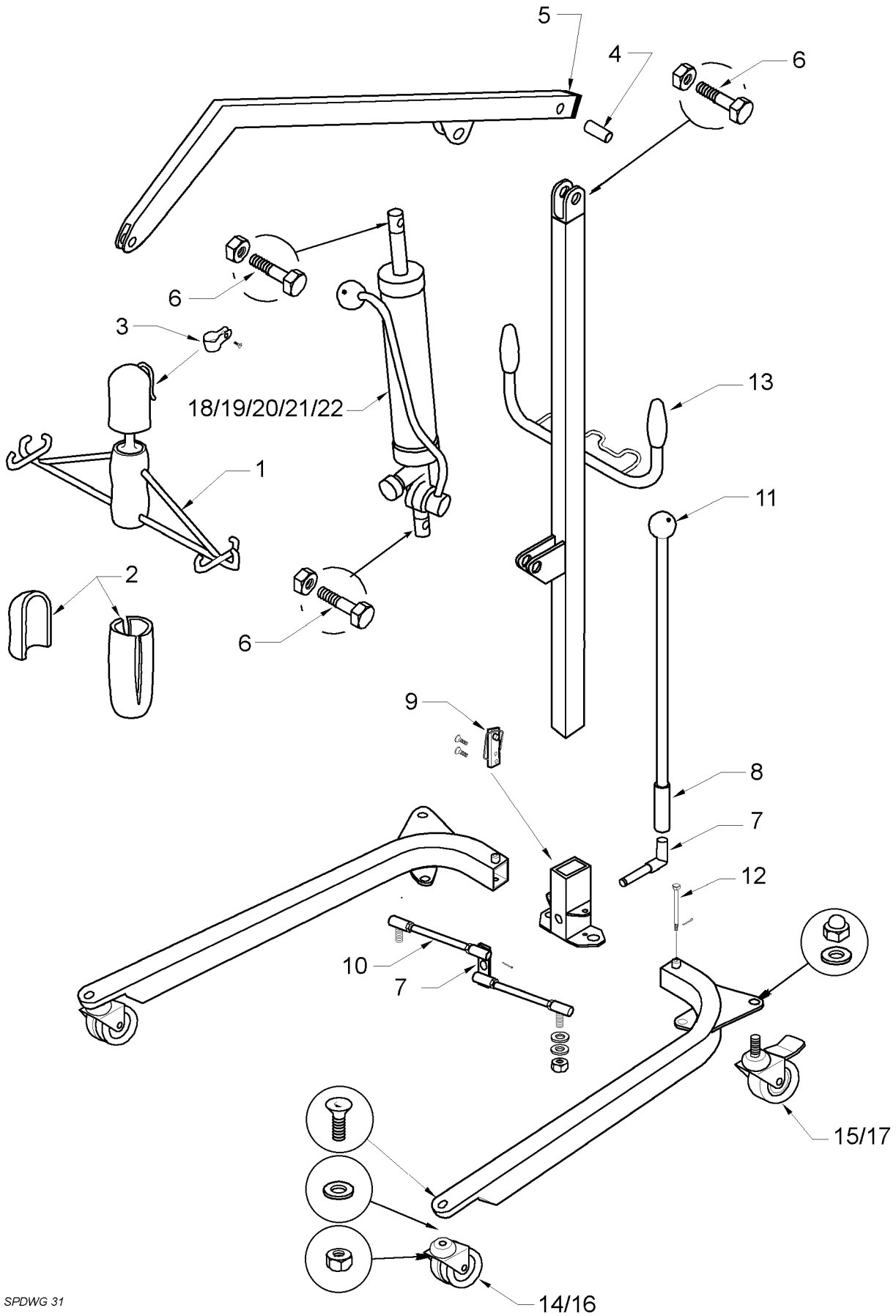
IT IS POTENTIALLY HAZARDOUS TO FIT OR USE ANY PARTS OTHER THAN GENUINE SUNRISE MEDICAL PARTS. THE COMPANY DISCLAIMS ALL LIABILITY FOR THE CONSEQUENCES OF SUCH USE, WHICH IN ADDITION VOIDS THE MACHINE WARRANTY.

THIS HOIST IS FOR THE CARRIAGE OF ONE PERSON AND MUST NOT BE USED FOR ANY OTHER PURPOSE.

# NEW OXFORD - STANDARD & LOW



This illustration and accompanying text set out in this Document is the Property of SUNRISE MEDICAL LTD. and must not be copied or used for manufacturing, tending or any other purpose without their permission.



SPDWG 31

# NEW OXFORD - STANDARD & LOW

ITEM NO.	PART NO.	DESCRIPTION	QTY	SERIAL NO.
1	10001	SPREADER BAR ASSEMBLY COMPLETE	Kit	
2	10002	SPREADER BAR PADDING SET	Kit	
3	10003	SPREADER BAR SAFETY CLIP	Kit	
4	10006	BOOM BEARING	1	
5	10007	BOOM END CAP	1	
6	10071	MAST/BOOM FIXINGS	Kit	
7	10013	LEG ADJUSTER LEVER COMPLETE	Kit	
8	10015	LEG ADJUSTER HANDLE COMPLETE	Kit	
9	10017	MAST BOX SAFETY CLIP	Kit	
10	10068	LEG ADJUSTER LINKAGE	1	
11	10016	RED PLASTIC KNOB	1	
12	10069	LEG PIVOT COMPLETE	Kit	
13	323.11010	WHITE HAND GRIP	1	
14	311.32210	FRONT CASTOR 75mm TWIN	1	
15	10035	REAR CASTOR -BRAKED 75mm TWIN	1	
16	10036	FRONT CASTOR - 125mm PLAIN SINGLE (STANDARD)	1	
17	10037	REAR CASTOR - BRAKED 75mm TWIN	1	
18	10030	OXFORD HYDRAULIC UNIT - NEW	1	
19	10031	OXFORD HYDRAULIC UNIT - SERVICE EXCHANGE	1	
20	10033	OXFORD HYDRAULIC UNIT - "U" BRACKET - NEW	1	
21	10032	OXFORD HYDRAULIC UNIT - "U" BRACKET - SERVICE EXCHANGE	1	
22	10034	OXFORD HYDRAULIC UNIT - "FLAT TOP" & TRUNNION - SERVICE EXCHANGE	1	
ND	10081	TOUCH UP PAINT	1	

This page is intentionally blank

# CHAPTER 2 : OXFORD ISIS

---



Sunrise Medical is ISO 9001 certified, which ensures quality at all stages of the development and production of this hoist.

## Contents

MODEL	SERIAL NO. RANGE	PAGE
OXFORD ISIS		2.3

## IMPORTANT

IT IS POTENTIALLY HAZARDOUS TO FIT OR USE ANY PARTS OTHER THAN GENUINE SUNRISE MEDICAL PARTS. THE COMPANY DISCLAIMS ALL LIABILITY FOR THE CONSEQUENCES OF SUCH USE, WHICH IN ADDITION VOIDS THE MACHINE WARRANTY.

THIS HOIST IS FOR THE CARRIAGE OF ONE PERSON AND MUST NOT BE USED FOR ANY OTHER PURPOSE.

# OXFORD ISIS



This illustration and accompanying text set out in this Document is the Property of SUNRISE MEDICAL LTD. and must not be copied or used for manufacturing, tendering or any other purpose without their permission.

This page is intentionally blank

# OXFORD ISIS

ITEM NO.	PART NO.	DESCRIPTION	QTY	SERIAL NO.
ND	10001	SPREADER BAR ASSEMBLY COMPLETE	Kit	
ND	10002	SPREADER BAR PADDING SET	Kit	
ND	10003	SPREADER BAR SAFETY CLIP	Kit	
ND	10038	ISIS - WHEEL ONLY	Kit	
ND	20030	ISIS HYDRAULIC UNIT - NEW	1	
ND	20031	ISIS HYDRAULIC UNIT - SERVICE EXCHANGE	1	



This page is intentionally blank

# CHAPTER 3 : OXFORD 140

---



Sunrise Medical is ISO 9001 certified, which ensures quality at all stages of the development and production of this hoist.

## Contents

MODEL	SERIAL NO. RANGE	PAGE
OXFORD 140 ELECTRIC		3.3

## IMPORTANT

IT IS POTENTIALLY HAZARDOUS TO FIT OR USE ANY PARTS OTHER THAN GENUINE SUNRISE MEDICAL PARTS. THE COMPANY DISCLAIMS ALL LIABILITY FOR THE CONSEQUENCES OF SUCH USE, WHICH IN ADDITION VOIDS THE MACHINE WARRANTY.

THIS HOIST IS FOR THE CARRIAGE OF ONE PERSON AND MUST NOT BE USED FOR ANY OTHER PURPOSE.

# OXFORD 140 ELECTRIC



This illustration and accompanying text set out in this Document is the Property of SUNRISE MEDICAL LTD. and must not be copied or used for manufacturing, tendering or any other purpose without their permission.

This page is intentionally blank

# OXFORD 140 ELECTRIC

ITEM NO.	PART NO.	DESCRIPTION	QTY	SERIAL NO.
ND	808003.10021	SPREADER BAR COMPLETE	1	
ND	EM-2993	SPREADER BAR COVER (NEW SPREADER BAR)	1	
ND	12502	SPREADER BAR PADDING (OLD CHROME SPREADER)	1	
ND	14003	BOOM END PADDING	1	
ND	14006	BOOM BEARING	1	
ND	808003.10025	BOOM/MAST FULCRUM PIN KIT	1	
ND	14008	BOOM/MAST NUT AND BOLT KIT	1	
ND	14009	BOOM END CAP	1	
ND	14013	LEG ADJUSTER LEVER	1	
ND	14014	LEG ADJUSTER LINKAGE	1	
ND	14015	LEG ADJUSTER HANDLE COMPLETE	1	
ND	14018	LEG PIN ASSEMBLY	1	
ND	311.32210	FRONT CASTOR 75 MM UNBRAKED TWIN	1	
ND	14026	REAR BRAKED CASTOR 75mm TWIN	1	
ND	14030	ACTUATOR - LINAK LA38	1	
ND	14040	CONTROL BOX COMPLETE	1	
ND	14042	HANDCONTROL - LINAK - 8 PIN DIN PLUG	1	
ND	14043	HANDCONTROL DIN SOCKET	1	
ND	14044	CONTROL PCB - LINAK CS1600-14-24	1	
ND	14045	EMERGENCY STOP BUTTON COMPLETE	1	
ND	14046	BATTERY CONDITION METER	1	
ND	14047	ON/OFF SWITCH	1	
ND	14048	ACTUATOR SOCKET - 3 PIN	1	
ND	14049	ACTUATOR PLUG - 3 PIN	1	
ND	14050	PADDED ACTUATOR SLEEVE	1	
ND	14051	PADDED CHASSIS COVER	1	
ND	14052	BATTERY - 6V 12 AHR	1	
ND	14057	MAST CONNECTOR BLOCK COMPLETE	1	
ND	14058	CHASSIS CONNECTOR BLOCK	1	
ND	14059	IN-LINE FUSEHOLDER	1	
ND	335.00020	FUSE 25A	10	

This page is intentionally blank

# CHAPTER 4 : OXFORD MINI

---



Sunrise Medical is ISO 9001 certified, which ensures quality at all stages of the development and production of this hoist.

## Contents

MODEL	SERIAL NO. RANGE	PAGE
OXFORD MINI HYDRAULIC	TO TS 78420	4.3
OXFORD MINI HYDRAULIC	FROM TS 78424 TO TS 82796	4.5
OXFORD MINI HYDRAULIC	FROM TS 82797 TO TS 15520	4.7
OXFORD MINI HYDRAULIC	FROM TS 15520. TO DATE	4.9
OXFORD MINI ELECTRIC	FROM TSE 46948 TO TSE 78400	4.11
OXFORD MINI ELECTRIC	FROM TSE 78412 TO TSE 81242	4.13
OXFORD MINI ELECTRIC	FROM TSE 81243 TO TSE 15677	4.15
OXFORD MINI ELECTRIC	FROM TSE 15678 TO DATE	4.17
OXFORD MINI 140KG		4.19

## IMPORTANT

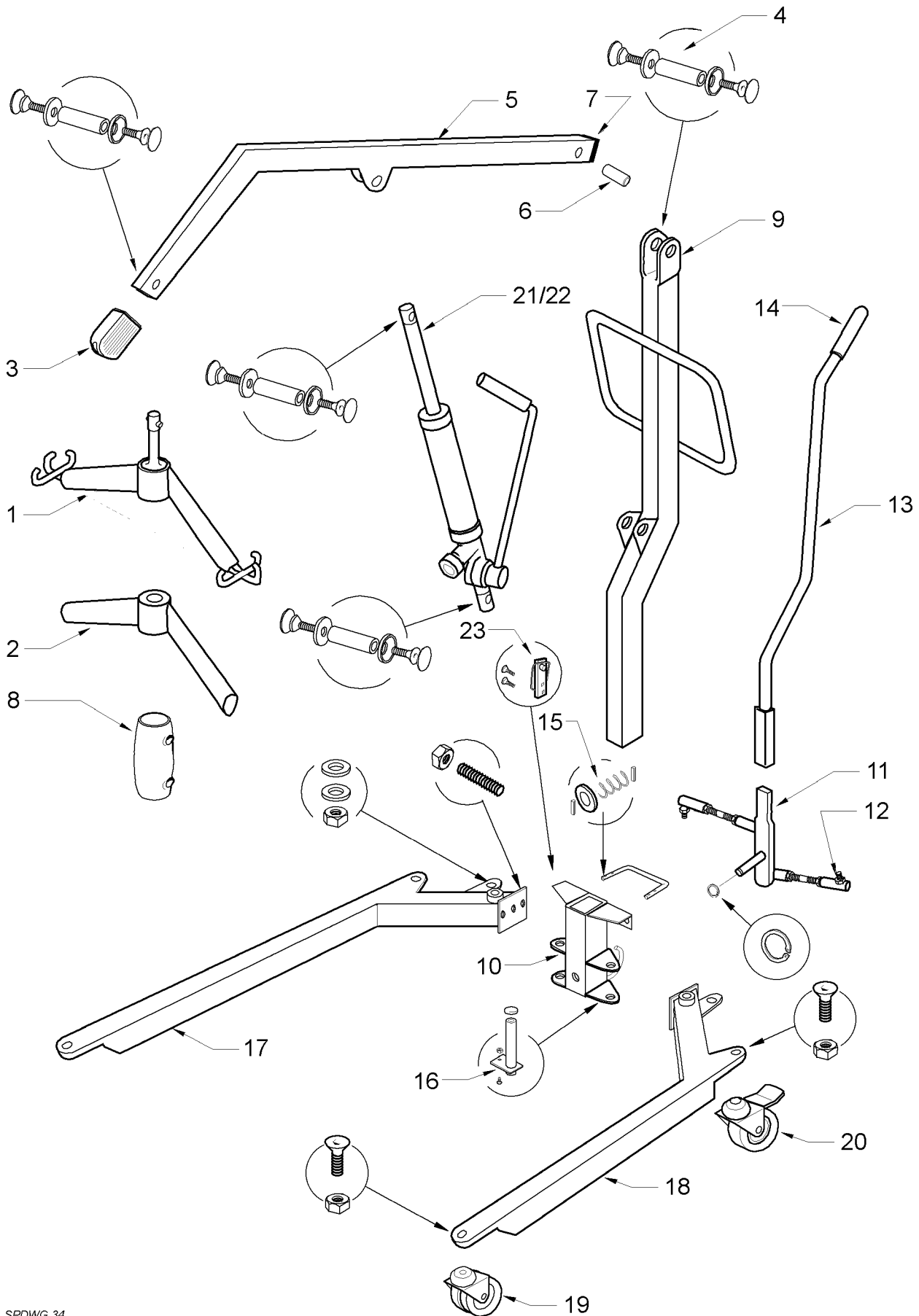
IT IS POTENTIALLY HAZARDOUS TO FIT OR USE ANY PARTS OTHER THAN GENUINE **SUNRISE MEDICAL PARTS**. THE COMPANY DISCLAIMS ALL LIABILITY FOR THE CONSEQUENCES OF SUCH USE, WHICH IN ADDITION VOIDS THE MACHINE WARRANTY.

THIS HOIST IS FOR THE CARRIAGE OF ONE PERSON AND **MUST NOT** BE USED FOR ANY OTHER PURPOSE.

# OXFORD MINI HYDRAULIC



This illustration and accompanying text set out in this Document is the Property of SUNRISE MEDICAL LTD. and must not be copied or used for manufacturing, tendering or any other purpose without their permission.



SPDWG 34

# OXFORD MINI HYDRAULIC

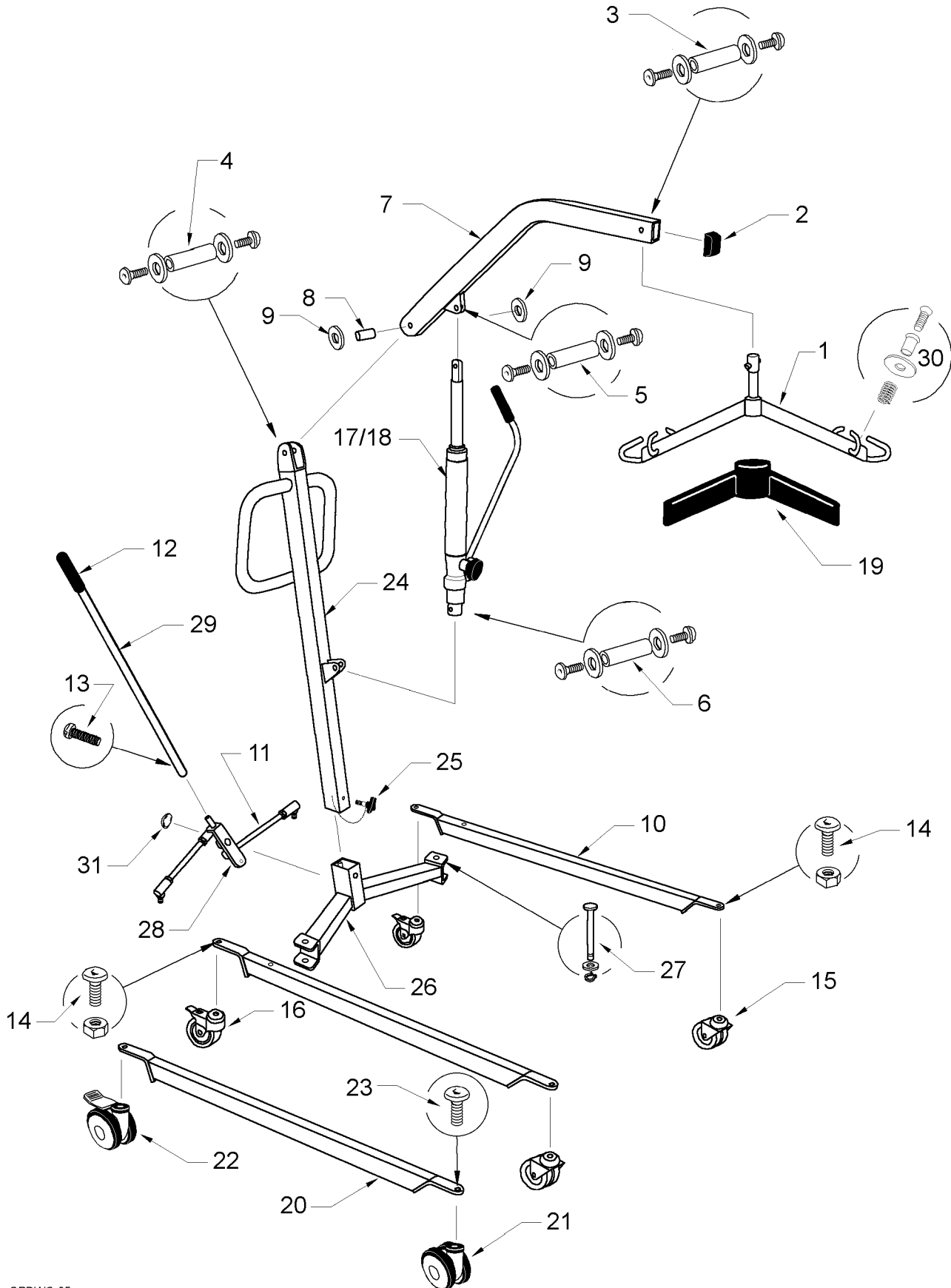
ITEM NO.	PART NO.	DESCRIPTION	QTY	SERIAL NO.
<b>SERIAL NUMBERS TO TS 78420</b>				
1	808003.10021	SPREADER BAR COMPLETE	Kit	
2	EM-2993	SPREADER BAR COVER	1	
3	11503	BOOM END PADDING	1	
4	11509	BOOM/MAST FULCRUM PIN	Kit	
5	12504	BOOM ONLY	1	
6	11511	BOOM BEARING	1	
7	11512	BOOM END CAP	1	
8	12502	SPREADER BAR PADDING (OLD CHROME SPREADER)	1	
9	12510	MAST ONLY	1	
10	12512	MAST BOX	1	
11	12513	LEG ADJUSTER LEVER	1	
12	12514	LEG ADJUSTER LINKAGE	1	
13	12515	LEG ADJUSTER HANDLE	1	
14	323.12040	LEG ADJUSTER GRIP	1	
15	12517	LEG ADJUSTER GATE	1	
16	12518	LEG PIN ASSEMBLY	1	
17	12520	RIGHT LEG ONLY	1	
18	12523	LEFT LEG ONLY	1	
19	311.32210	FRONT CASTOR - 75mm PLAIN TWIN	1	
20	311.31120	REAR CASTOR - 75mm SINGLE BRAKED	1	
21	12530	HYDRAULIC UNIT - MARK I - NEW	1	
22	12531	HYDRAULIC UNIT - MARK I - SERVICE EXCHANGE	1	
23	10017	MAST BOX SAFETY CLIP	1	



# OXFORD MINI HYDRAULIC



This illustration and accompanying text set out in this Document is the Property of SUNRISE MEDICAL LTD. and must not be copied or used for manufacturing, tendering or any other purpose without their permission.



SPDWG 35

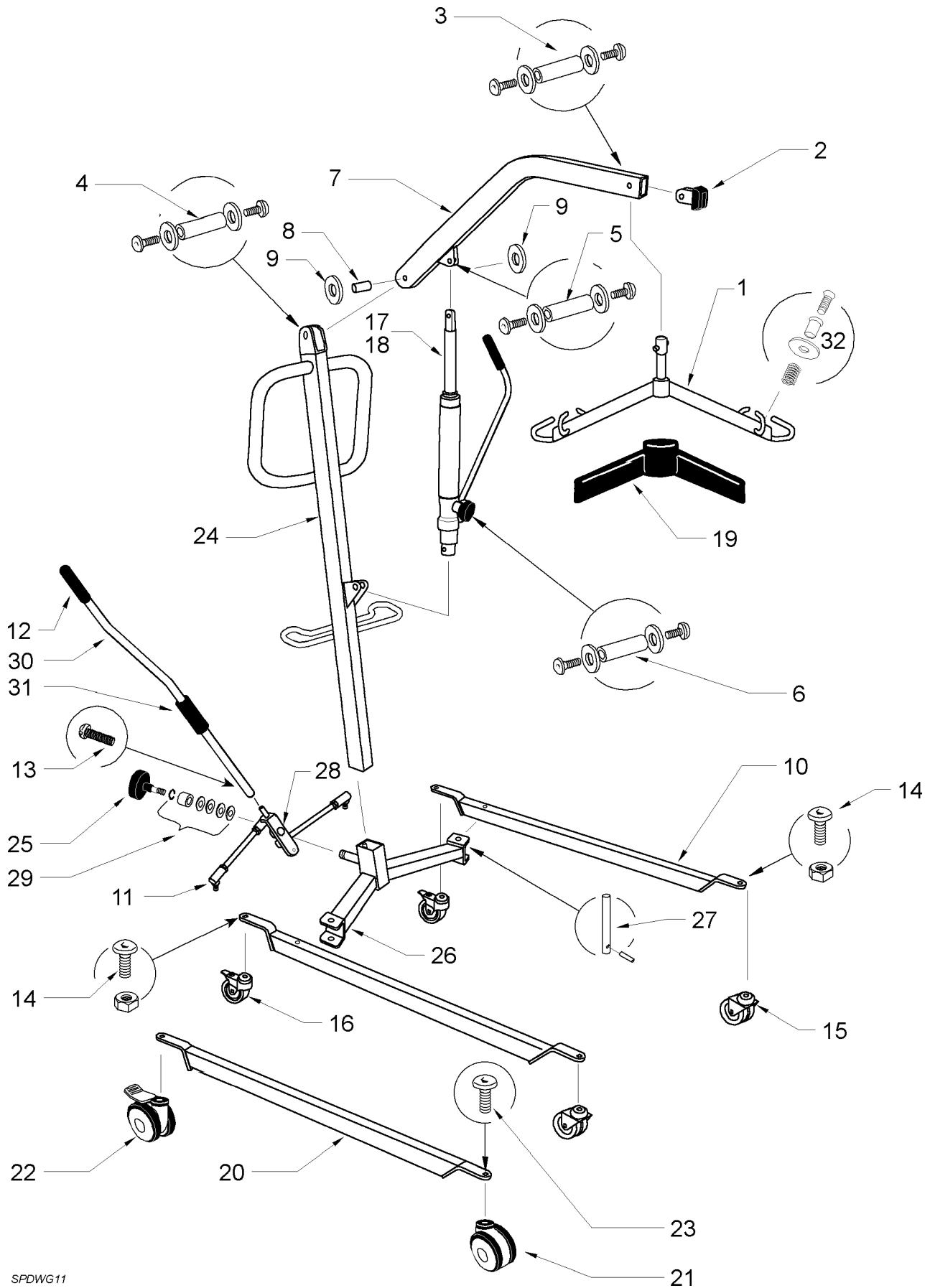
# OXFORD MINI HYDRAULIC

ITEM NO.	PART NO.	DESCRIPTION	QTY	SERIAL NO.
<b>SERIAL NUMBERS FROM TS 78424 TO TS82796</b>				
1	808003.10001	SPREADER BAR (BLUE) COMPLETE	Kit	
2	EM-2730	BOOM END CAP	1	
3	808003.10002	SPREADER BAR FULCRUM PIN COMPLETE	Kit	
4	808003.10003	BOOM/MAST FULCRUM PIN COMPLETE	Kit	
5	808003.10004	RAM/BOOM FULCRUM PIN COMPLETE	Kit	
6	808003.10005	RAM/MAST FULCRUM PIN COMPLETE	Kit	
7	TS-2800	BOOM ONLY	1	
8	SA-2738	BOOM BEARING	1	
9	TS-3095	BOOM PLASTIC WASHER	2	
10	TS-2827	LEG (LOW) ONLY	1	
11	EM-2679	LEG ADJUSTER LINKAGE	1	
12	323.12040	LEG ADJUSTER HANDLE GRIP	1	
13	211.43350	RETAINING SCREW - LEG ADJUSTER HANDLE	1	
14	808003.10006	CASTOR FIXINGS (75mm)	Kit	
15	311.32210	FRONT CASTOR - TWIN 75mm PLAIN (LOW)	2	
16	311.31120	REAR CASTOR - SINGLE 75mm BRAKED (LOW)	2	
17	225-023	HYDRAULIC UNIT MINI MK II NEW	1	
18	225-024	HYDRAULIC UNIT MINI MK II SERVICE EXCHANGE	1	
19	EM-2992	SPREADER BAR COVER (GREY)	1	
20	TS-2951	LEG (DE LUXE) ONLY	1	
21	EM3699	FRONT CASTOR - TWIN 100mm PLAIN (DE LUXE)	1	
22	EM3700	REAR CASTOR - TWIN 100mm BRAKED (DE LUXE)	1	
23	808003.10007	CASTOR FIXINGS (100mm)	Kit	
24	225-009	MAST ONLY	1	
25	225-010	MAST LOCKING KNOB	1	
26	225-011	CROSSMEMBER COMPLETE	1	
27	225-012	LEG PIVOT PIN COMPLETE	Kit	
28	225-014	LEG ADJUSTER PLATE COMPLETE	Kit	
29	225-017	LEG ADJUSTER HANDLE COMPLETE	Kit	
30	808003.10013	SLING RETAINER ASSEMBLY	Kit	
31	225-016	RETAINING DOMED STARLOK	1	

# OXFORD MINI HYDRAULIC



This Illustration and accompanying text set out in this Document is the Property of SUNRISE MEDICAL LTD. and must not be copied or used for manufacturing, tendering or any other purpose without their permission.



SPDWG11

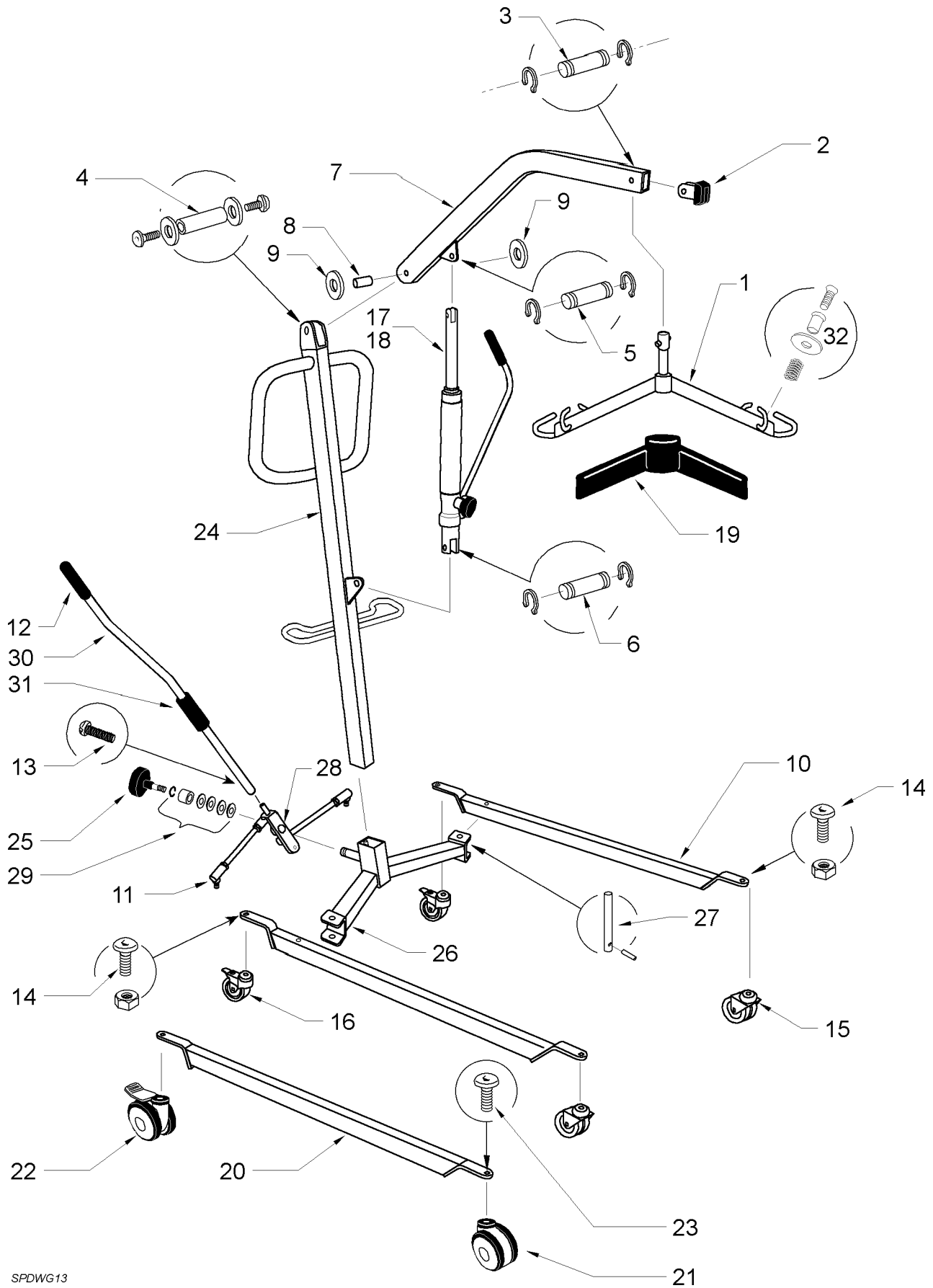
# OXFORD MINI HYDRAULIC

ITEM NO.	PART NO.	DESCRIPTION	QTY	SERIAL NO.
<b>SERIAL NUMBERS FROM TS 82797 TO TS 15520</b>				
1	808003.10001	SPREADER BAR (BLUE) COMPLETE	Kit	
2	EM-2730	BOOM END CAP	1	
3	808003.10002	SPREADER BAR FULCRUM PIN COMPLETE	Kit	
4	808003.10003	BOOM/MAST FULCRUM PIN COMPLETE	Kit	
5	808003.10004	RAM/BOOM FULCRUM PIN COMPLETE	Kit	
6	808003.10005	RAM/MAST FULCRUM PIN COMPLETE	Kit	
7	TS-2800	BOOM ONLY	1	
8	SA-2738	BOOM BEARING	1	
9	TS-3095	BOOM PLASTIC WASHER	2	
10	TS-2827	LEG (LOW) ONLY	1	
11	EM-2679	LEG ADJUSTER LINKAGE	1	
12	323.12040	LEG ADJUSTER HANDLE GRIP	1	
13	211.43350	RETAINING SCREW - LEG ADJUSTER HANDLE	1	
14	808003.10006	CASTOR FIXINGS (75mm)	Kit	
15	311.32210	FRONT CASTOR - TWIN 75mm PLAIN (LOW)	2	
16	311.31120	REAR CASTOR - SINGLE 75mm BRAKED (LOW)	2	
17	HY-2919	HYDRAULIC UNIT MINI MK II NEW	1	
18	808003.10019	HYDRAULIC UNIT MINI MK II SERVICE EXCHANGE	1	
19	EM-2992	SPREADER BAR COVER (GREY)	1	
20	TS-2951	LEG (DE LUXE) ONLY	1	
21	EM3699	FRONT CASTOR - TWIN 100mm PLAIN (DE LUXE)	1	
22	EM3700	REAR CASTOR - TWIN 100mm BRAKED (DE LUXE)	1	
23	808003.10007	CASTOR FIXINGS (100mm)	Kit	
24	TS-2832	MAST ONLY	1	
25	324.02025	MAST LOCKING KNOB	1	
26	521001.10101	CROSSMEMBER COMPLETE	1	
27	808003.10008	LEG PIVOT PIN COMPLETE	Kit	
28	808003.10009	LEG ADJUSTER PLATE COMPLETE	Kit	
29	808003.10010	LEG ADJUSTER SPRING ASSEMBLY	Kit	
30	808003.10011	LEG ADJUSTER HANDLE COMPLETE	Kit	
31	808003.10012	LEG ADJUSTER ROLLER AND FITTINGS	Kit	
32	808003.10013	SLING RETAINER ASSEMBLY	Kit	

# OXFORD MINI HYDRAULIC



This illustration and accompanying text set out in this Document is the Property of SUNRISE MEDICAL LTD. and must not be copied or used for manufacturing, tendering or any other purpose without their permission.



SPDWG13

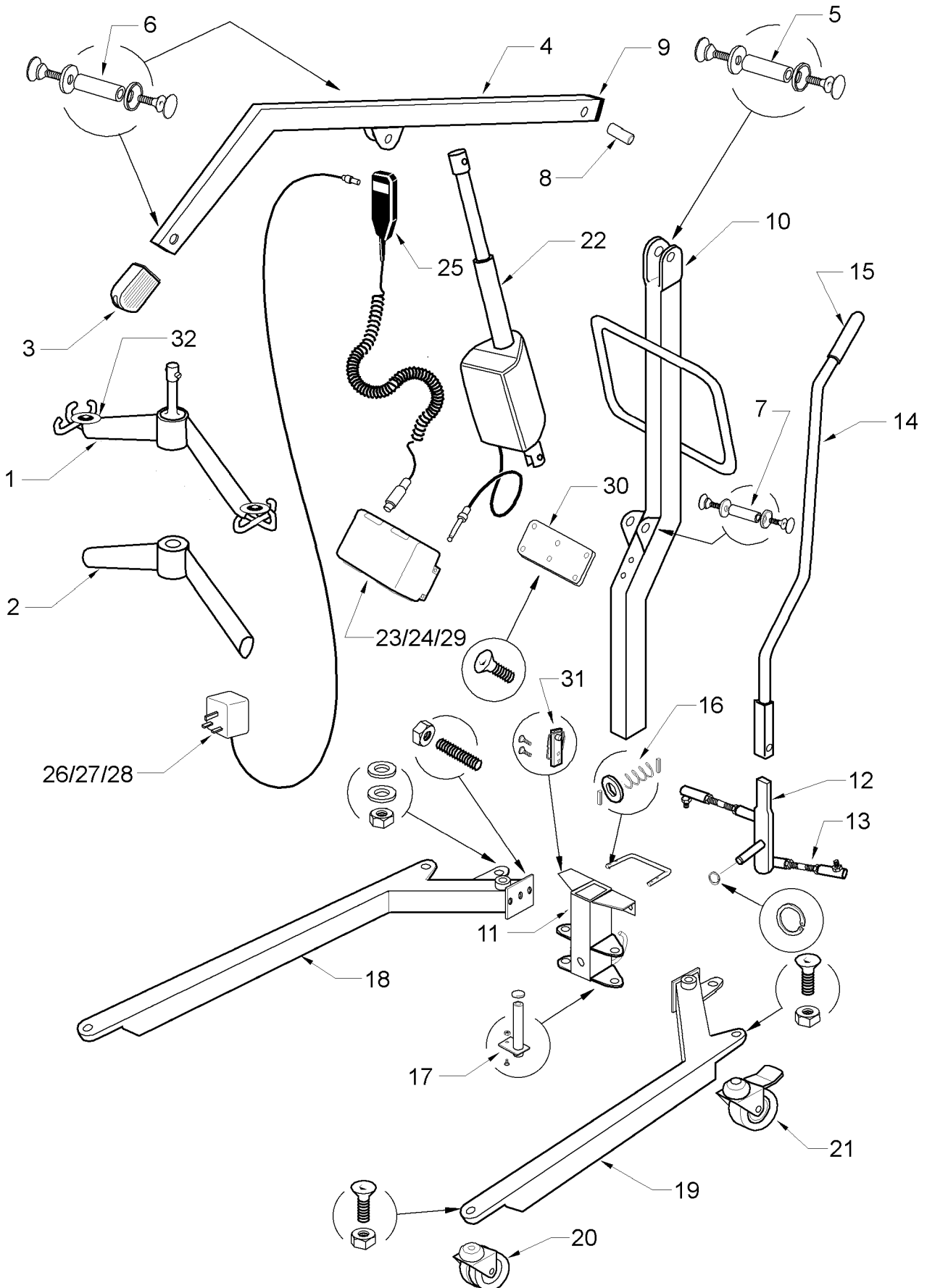
# OXFORD MINI HYDRAULIC

ITEM NO.	PART NO.	DESCRIPTION	QTY	SERIAL NO.
<b>SERIAL NUMBERS FROM TS 15520 TO DATE</b>				
1	808003.10001	SPREADER BAR (BLUE) COMPLETE	Kit	
2	EM-2730	BOOM END CAP	1	
3	808003.10014	SPREADER BAR FULCRUM PIN COMPLETE	Kit	
4	808003.10003	BOOM/MAST FULCRUM PIN COMPLETE	Kit	
5	808003.10015	RAM/BOOM FULCRUM PIN COMPLETE	Kit	
6	808003.10016	RAM/MAST FULCRUM PIN COMPLETE	Kit	
7	TS-4035	BOOM ONLY	1	
8	SA-2738	BOOM BEARING	1	
9	TS-3095	BOOM PLASTIC WASHER	2	
10	TS-2827	LEG (LOW) ONLY	1	
11	EM-2679	LEG ADJUSTER LINKAGE	1	
12	323.12040	LEG ADJUSTER HANDLE GRIP	1	
13	211.43350	RETAINING SCREW - LEG ADJUSTER HANDLE	1	
14	808003.10006	CASTOR FIXINGS (75mm)	Kit	
15	311.32210	FRONT CASTOR - TWIN 75mm PLAIN (LOW)	2	
16	311.31120	REAR CASTOR - SINGLE 75mm BRAKED (LOW)	2	
17	HY-4089	HYDRAULIC UNIT MINI MK III NEW	1	
18	808003.10020	HYDRAULIC UNIT MINI MK III SERVICE EXCHANGE	1	
19	EM-2992	SPREADER BAR COVER (GREY)	1	
20	TS-2951	LEG (DE LUXE) ONLY	1	
21	EM3699	FRONT CASTOR - TWIN 100mm PLAIN (DE LUXE)	1	
22	EM3700	REAR CASTOR - TWIN 100mm BRAKED (DE LUXE)	1	
23	808003.10007	CASTOR FIXINGS (100mm)	Kit	
24	TS-4092	MAST ONLY	1	
25	324.02025	MAST LOCKING KNOB	1	
26	521001.10101	CROSSMEMBER COMPLETE	1	
27	808003.10008	LEG PIVOT PIN COMPLETE	Kit	
28	808003.10009	LEG ADJUSTER PLATE COMPLETE	Kit	
29	808003.10010	LEG ADJUSTER SPRING ASSEMBLY	Kit	
30	808003.10011	LEG ADJUSTER HANDLE COMPLETE	Kit	
31	808003.10012	LEG ADJUSTER ROLLER AND FITTINGS	Kit	
32	808003.10013	SLING RETAINER ASSEMBLY	Kit	

# OXFORD MINI ELECTRIC



This illustration and accompanying text set out in this Document is the Property of SUNRISE MEDICAL LTD. and must not be copied or used for manufacturing, tendering or any other purpose without their permission.



SPDWG 36

# OXFORD MINI ELECTRIC

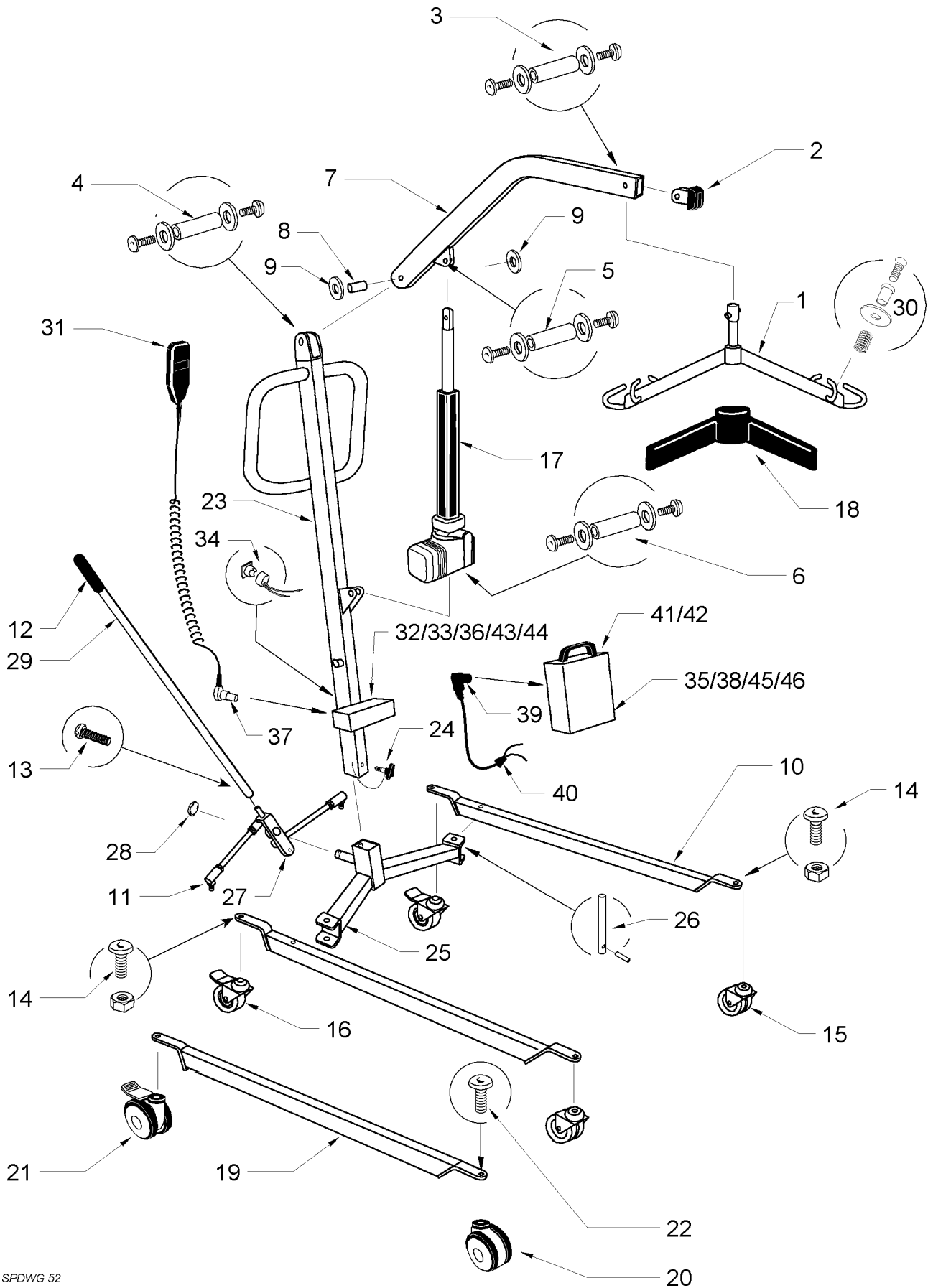
ITEM NO.	PART NO.	DESCRIPTION	QTY	SERIAL NO.
<b>SERIAL NUMBERS FROM TSE 46948 TO TSE 78400</b>				
1	808003.10021	SPREADER BAR COMPLETE	Kit	
2	EM-2993	SPREADER BAR COVER	1	
3	11503	BOOM END PADDING	1	
4	11504	BOOM ONLY	1	
5	11509	BOOM/MAST FULCRUM PIN	Kit	
6	808003.10002	SPREADER BAR FULCRUM PIN	Kit	
7	808003.10005	RAM/MAST FULCRUM PIN	Kit	
8	11511	BOOM BEARING	1	
9	11512	BOOM END CAP	1	
10	11510	MAST ONLY	1	
11	12512	MAST BOX	1	
12	12513	LEG ADJUSTER LEVER	1	
13	12514	LEG ADJUSTER LINKAGE	1	
14	12515	LEG ADJUSTER HANDLE	1	
15	323.12040	LEG ADJUSTER GRIP	1	
16	12517	LEG ADJUSTER GATE	1	
17	12518	LEG PIN ASSEMBLY	1	
18	12520	RIGHT LEG ONLY	1	
19	12523	LEFT LEG ONLY	1	
20	311.32210	FRONT CASTOR - 75mm PLAIN TWIN	1	
21	311.31120	REAR CASTOR - 75mm SINGLE BRAKED	1	
22	11534	ACTUATOR - LINAK LA32	1	
23	11540	POWER PACK - LINAK	1	
24	11543	POWER PACK LESS BATTERIES - LINAK	1	
25	11542	HANDCONTROL - LINAK 8 PIN DIN - CHARGING POINT	1	
26	11545	BATTERY CHARGER - 240V UK	1	
27	11546	BATTERY CHARGER - 220V EURO	1	
28	11547	BATTERY CHARGER - 110V USA	1	
29	11555	BATTERY 6V - ROCKET	1	
30	11561	CONTROL BOX MOUNTING PLATE	1	
31	10017	MAST BOX SAFETY CLIP	1	
32	808003.10013	SLING RETAINER ASSEMBLY	Kit	



# OXFORD MINI ELECTRIC



This illustration and accompanying text set out in this Document is the Property of SUNRISE MEDICAL LTD. and must not be copied or used for manufacturing, tendering or any other purpose without their permission.



SPDWG 52

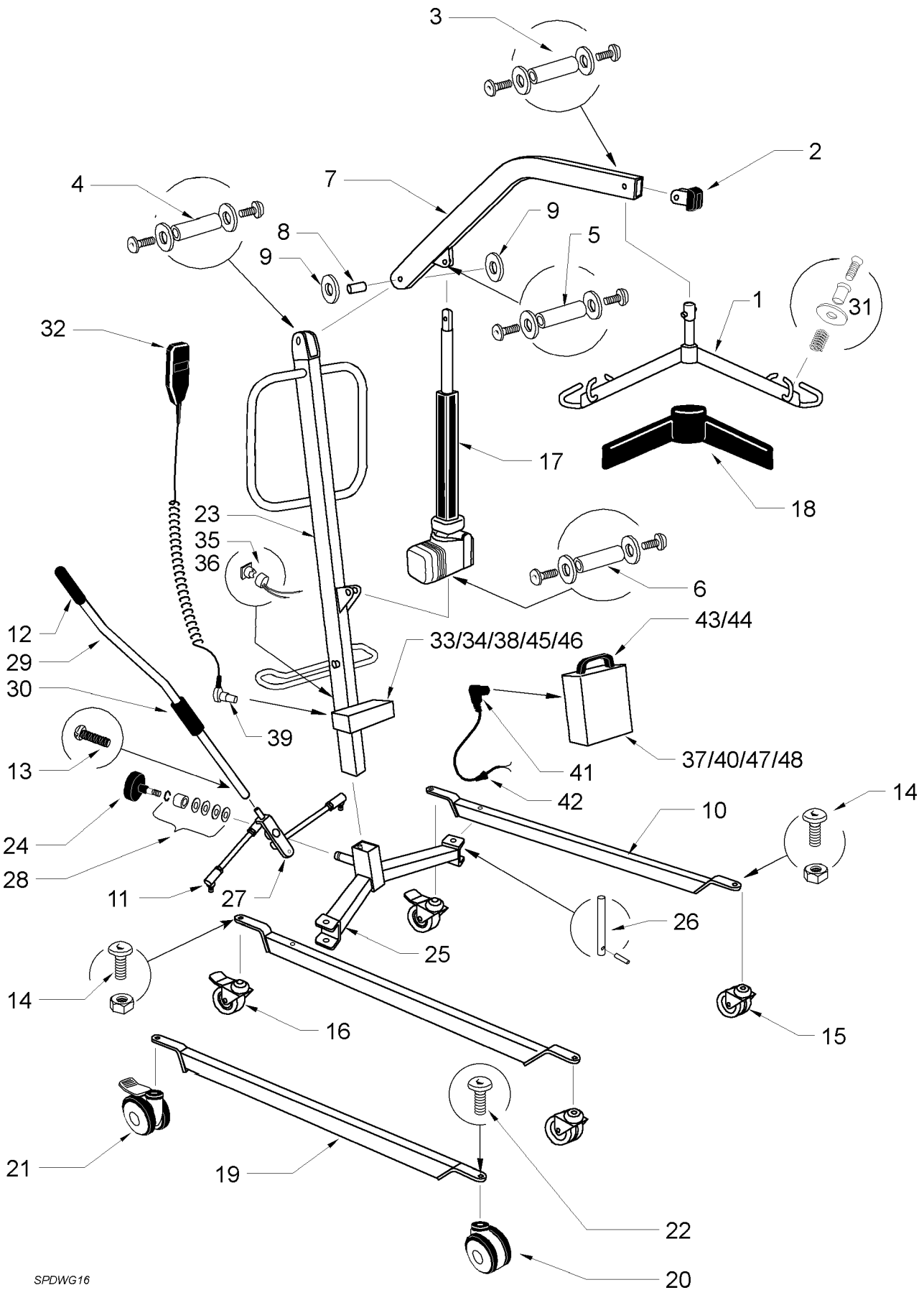
# OXFORD MINI ELECTRIC

ITEM NO.	PART NO.	DESCRIPTION	QTY	SERIAL NO.
<b>SERIAL NUMBERS FROM TSE78412 TO TSE 81242</b>				
1	808003.10001	SPREADER BAR (BLUE) COMPLETE	Kit	
2	EM-2730	BOOM END CAP	1	
3	808003.10002	SPREADER BAR FULCRUM PIN COMPLETE	Kit	
4	808003.10003	BOOM/MAST FULCRUM PIN COMPLETE	Kit	
5	808003.10004	RAM/BOOM FULCRUM PIN COMPLETE	Kit	
6	808003.10005	RAM/MAST FULCRUM PIN COMPLETE	Kit	
7	TS-2800	BOOM ONLY	1	
8	SA-2738	BOOM BEARING	1	
9	TS-3095	BOOM PLASTIC WASHER	2	
10	TS-2827	LEG (LOW) ONLY	1	
11	EM-2679	LEG ADJUSTER LINKAGE	1	
12	323.12040	LEG ADJUSTER HANDLE GRIP	1	
13	211.43350	RETAINING SCREW - LEG ADJUSTER HANDLE	1	
14	808003.10006	CASTOR FIXINGS (75mm)	Kit	
15	311.32210	FRONT CASTOR - TWIN 75mm PLAIN (LOW)	2	
16	311.31120	REAR CASTOR - SINGLE 75mm BRAKED (LOW)	2	
17	338.00035	EMS ACTUATOR	1	
18	EM-2992	SPREADER BAR COVER (GREY)	1	
19	TS-2951	LEG (DE LUXE) ONLY	1	
20	EM3699	FRONT CASTOR - TWIN 100mm PLAIN (DE LUXE)	1	
21	EM3700	REAR CASTOR - TWIN 100mm BRAKED (DE LUXE)	1	
22	808003.10007	CASTOR FIXINGS (100mm)	Kit	
23	215-009	MAST ONLY	1	
24	215-010	MAST LOCKING KNOB	1	
25	215-011	CROSSMEMBER COMPLETE	1	
26	808003.10008	LEG PIVOT PIN COMPLETE	Kit	
27	215-014	LEG ADJUSTER PLATE COMPLETE	Kit	
28	215-016	RETAINING DOMED STARLOCK	1	
29	215-017	LEG ADJUSTER HANDLE	1	
30	808003.10013	SLING RETAINER ASSEMBLY	Kit	
31	EM-3629	HANDCONTROL (3 PIN AXL)	1	
32	336.00021	CONTROL PCB - CLARKES	1	
33	336.00016	CONTROL PCB EDGE CONNECTOR	1	
34	215-032	EMERGENCY DOWN PUSH BUTTON	1	
35	808003.10017	EMERGENCY STOP SWITCH COMPLETE	Kit	
36	EL-3711	HANDCONTROL SOCKET (3 PIN AXL)	1	
37	000184.4005	HANDCONTROL PLUG (3 PIN AXL)	1	
38	332.00085	POWER/CHARGER SOCKET (4 PIN CLIFF)	1	
39	EL-3712	POWER PLUG (4 PIN CLIFF)	1	
40	331.00009	POWER CABLE GLAND	1	
41	TS-2923	POWER PACK COMPLETE	1	
42	337.00050	BATTERY 12VDC 3.2AHR	1	
43	TS-2870	CONTROL BOX	1	
44	336.00023	CONTROL PCB PLASTIC STANDOFF	2	
45	808003.10018	FUSEHOLDER COMPLETE	Kit	
46	335.00020	FUSE 25A	10	

# OXFORD MINI ELECTRIC



This illustration and accompanying text set out in this Document is the Property of SUNRISE MEDICAL LTD. and must not be copied or used for manufacturing, tendering or any other purpose without their permission.



SPDWG16

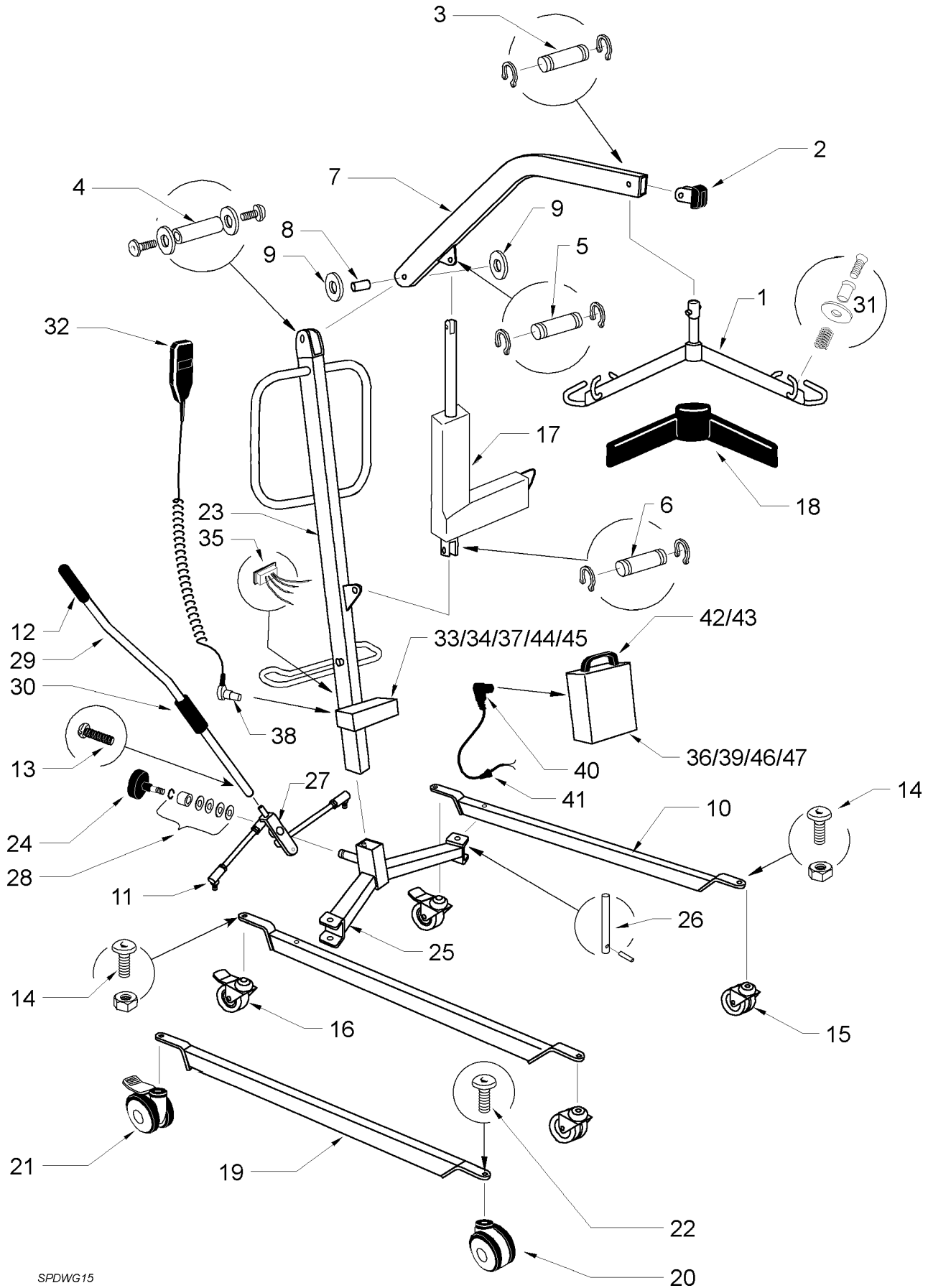
# OXFORD MINI ELECTRIC

ITEM NO.	PART NO.	DESCRIPTION	QTY	SERIAL NO.
<b>SERIAL NUMBERS FROM TSE 81243 TO TSE 15677</b>				
1	808003.10001	SPREADER BAR (BLUE) COMPLETE	Kit	
2	EM-2730	BOOM END CAP	1	
3	808003.10002	SPREADER BAR FULCRUM PIN COMPLETE	Kit	
4	808003.10003	BOOM/MAST FULCRUM PIN COMPLETE	Kit	
5	808003.10004	RAM/BOOM FULCRUM PIN COMPLETE	Kit	
6	808003.10005	RAM/MAST FULCRUM PIN COMPLETE	Kit	
7	TS-2800	BOOM ONLY	1	
8	SA-2738	BOOM BEARING	1	
9	TS-3095	BOOM PLASTIC WASHER	2	
10	TS-2827	LEG (LOW) ONLY	1	
11	EM-2679	LEG ADJUSTER LINKAGE	1	
12	323.12040	LEG ADJUSTER HANDLE GRIP	1	
13	211.43350	RETAINING SCREW - LEG ADJUSTER HANDLE	1	
14	808003.10006	CASTOR FIXINGS (75mm)	Kit	
15	311.32210	FRONT CASTOR - TWIN 75mm PLAIN (LOW)	2	
16	311.31120	REAR CASTOR - SINGLE 75mm BRAKED (LOW)	2	
17	338.00035	EMS ACTUATOR	1	
18	EM-2992	SPREADER BAR COVER (GREY)	1	
19	TS-2951	LEG (DE LUXE) ONLY	1	
20	EM3699	FRONT CASTOR - TWIN 100mm PLAIN (DE LUXE)	1	
21	EM3700	REAR CASTOR - TWIN 100mm BRAKED (DE LUXE)	1	
22	808003.10007	CASTOR FIXINGS (100mm)	Kit	
23	TS-2833	MAST ONLY	1	
24	324.02025	MAST LOCKING KNOB	1	
25	521001.10101	CROSSMEMBER COMPLETE	1	
26	808003.10008	LEG PIVOT PIN COMPLETE	Kit	
27	808003.10009	LEG ADJUSTER PLATE COMPLETE	Kit	
28	808003.10010	LEG ADJUSTER SPRING ASSEMBLY	Kit	
29	808003.10011	LEG ADJUSTER HANDLE COMPLETE	Kit	
30	808003.10012	LEG ADJUSTER ROLLER AND FITTINGS	Kit	
31	808003.10013	SLING RETAINER ASSEMBLY	Kit	
32	EM-3629	HANDCONTROL (3 PIN AXL)	1	
33	336.00021	CONTROL PCB - CLARKES	1	
34	336.00016	CONTROL PCB EDGE CONNECTOR	1	
35	215-032	EMERGENCY DOWN PUSH BUTTON (TOTSE 84156)	1	
36	333.00020	EMERGENCY DOWN ROCKER SWITCH (FROM TSE 84157)	1	
37	808003.10017	EMERGENCY STOP SWITCH COMPLETE	Kit	
38	EL-3711	HANDCONTROL SOCKET (3 PIN AXL)	1	
39	000184.4005	HANDCONTROL PLUG (3 PIN AXL)	1	
40	332.00085	POWER/CHARGER SOCKET (4 PIN CLIFF)	1	
41	EL-3712	POWER PLUG (4 PIN CLIFF)	1	
42	331.00009	POWER CABLE GLAND	1	
43	TS-2923	POWER PACK COMPLETE	1	
44	337.00050	BATTERY 12VDC 3.2AHR	1	
45	TS-2870	CONTROL BOX	1	
46	336.00023	CONTROL PCB PLASTIC STANDOFF	2	
47	808003.10018	FUSEHOLDER COMPLETE	Kit	
48	335.00020	FUSE 25A	10	

# OXFORD MINI ELECTRIC



This illustration and accompanying text set out in this Document is the Property of SUNRISE MEDICAL LTD. and must not be copied or used for manufacturing, tendering or any other purpose without their permission.



SPDWG15

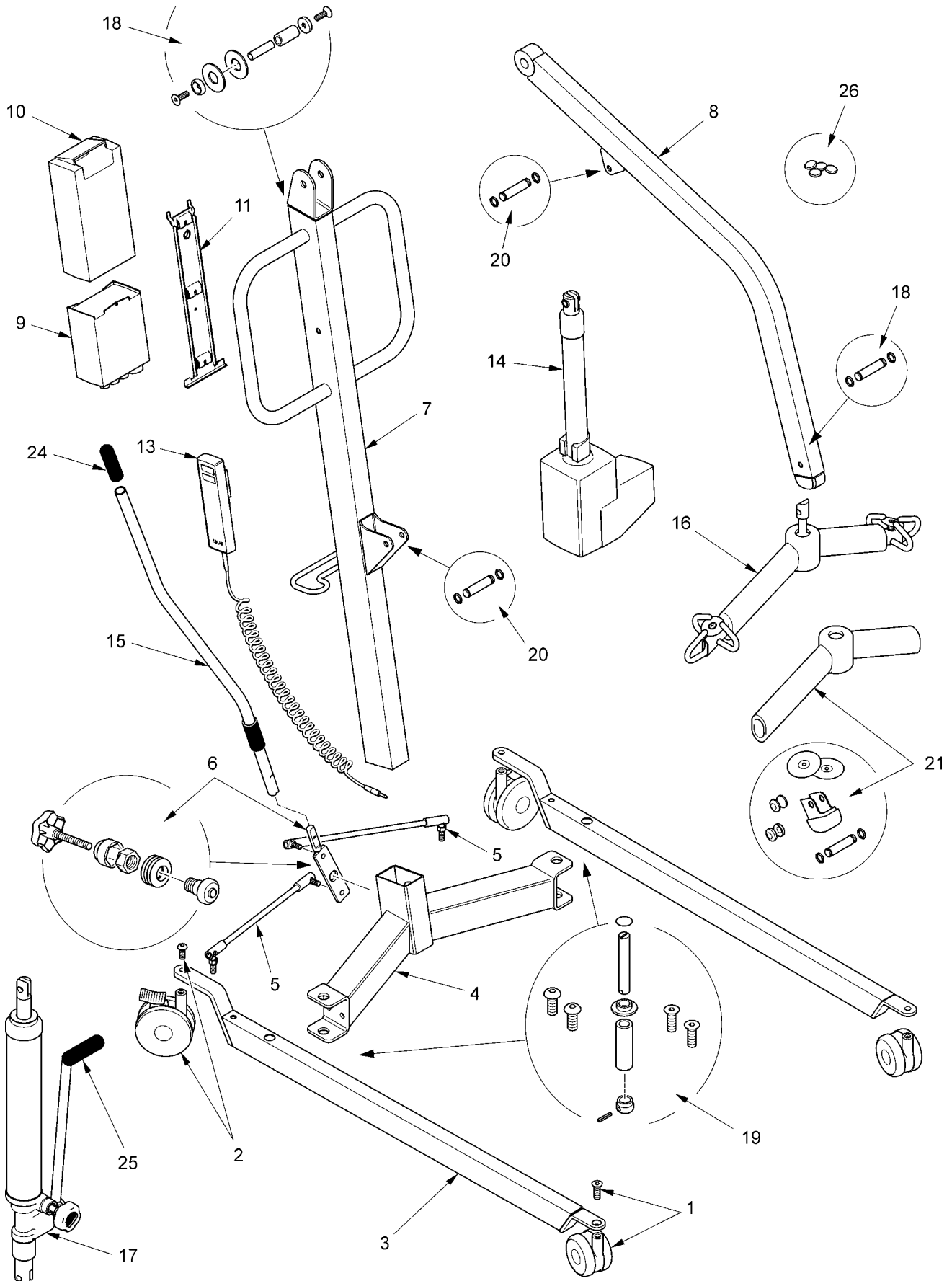
# OXFORD MINI ELECTRIC

ITEM NO.	PART NO.	DESCRIPTION	QTY	SERIAL NO.
<b>SERIAL NUMBERS FROM TSE 15677 TO DATE</b>				
1	808003.10001	SPREADER BAR (BLUE) COMPLETE	Kit	
2	EM-2730	BOOM END CAP	1	
3	808003.10014	SPREADER BAR FULCRUM PIN COMPLETE	Kit	
4	808003.10003	BOOM/MAST FULCRUM PIN COMPLETE	Kit	
5	808003.10015	RAM/BOOM FULCRUM PIN COMPLETE	Kit	
6	808003.10016	RAM/MAST FULCRUM PIN COMPLETE	Kit	
7	TS-4035	BOOM ONLY	1	
8	SA-2738	BOOM BEARING	1	
9	TS-3095	BOOM PLASTIC WASHER	2	
10	TS-2827	LEG (LOW) ONLY	1	
11	EM-2679	LEG ADJUSTER LINKAGE	1	
12	323.12040	LEG ADJUSTER HANDLE GRIP	1	
13	211.43350	RETAINING SCREW - LEG ADJUSTER HANDLE	1	
14	808003.10006	CASTOR FIXINGS (75mm)	Kit	
15	311.32210	FRONT CASTOR - TWIN 75mm PLAIN (LOW)	2	
16	311.31120	REAR CASTOR - SINGLE 75mm BRAKED (LOW)	2	
17	EL-3735	LINAK LA31 ACTUATOR	1	
18	EM-2992	SPREADER BAR COVER (GREY)	1	
19	TS-2951	LEG (DE LUXE) ONLY	1	
20	EM3699	FRONT CASTOR - TWIN 100mm PLAIN (DE LUXE)	1	
21	EM3700	REAR CASTOR - TWIN 100mm BRAKED (DE LUXE)	1	
22	808003.10007	CASTOR FIXINGS (100mm)	Kit	
23	TS-4094	MAST ONLY	1	
24	324.02025	MAST LOCKING KNOB	1	
25	521001.10101	CROSSMEMBER COMPLETE	Kit	
26	808003.10008	LEG PIVOT PIN COMPLETE	Kit	
27	808003.10009	LEG ADJUSTER PLATE COMPLETE	Kit	
28	808003.10010	LEG ADJUSTER SPRING ASSEMBLY	Kit	
29	808003.10011	LEG ADJUSTER HANDLE COMPLETE	Kit	
30	808003.10012	LEG ADJUSTER ROLLER AND FITTINGS	Kit	
31	808003.10013	SLING RETAINER ASSEMBLY	Kit	
32	EM-3629	HANDCONTROL (3 PIN AXL)	1	
33	336.00021	CONTROL PCB - CLARKES	1	
34	336.00016	CONTROL PCB EDGE CONNECTOR	1	
35	333.00020	EMERGENCY DOWN ROCKER SWITCH	1	
36	808003.10017	EMERGENCY STOP SWITCH COMPLETE	Kit	
37	EL-3711	HANDCONTROL SOCKET (3 PIN AXL)(WIRED)	1	
38	000184.4005	HANDCONTROL PLUG (3 PIN AXL)	1	
39	332.00085	POWER/CHARGER SOCKET (4 PIN CLIFF)	1	
40	EL-3712	POWER PLUG (4 PIN CLIFF)(WIRED)	1	
41	331.00009	POWER CABLE GLAND	1	
42	TS-2923	POWER PACK COMPLETE	1	
43	337-00050	BATTERY 12VDC 3.2AHR	1	
44	TS-2870	CONTROL BOX	1	
45	336.00023	CONTROL PCB PLASTIC STANDOFF	2	
46	808003.10018	FUSEHOLDER COMPLETE	Kit	
47	335.00020	FUSE 25A	10	

# OXFORD MINI 140KG



This illustration and accompanying text set out in this Document is the Property of SUNRISE MEDICAL LTD. and must not be copied or used for manufacturing, tendering or any other purpose without their permission.



539A202

# OXFORD MINI 140KG

ITEM NO.	PART NO.	DESCRIPTION	QTY	SERIAL NO.
1	091388.10000	CASTER KIT: 75mm NYLON CASTER, M8 CSK SCREW	1	
2	091388.10001	REAR CASTER KIT: 100mm NYLON BRAKED CASTER, M10 BUTTON HEAD BOLT	1	
3	211001.10000	LEG FABRICATION: SUITABLE FOR LEFT AND RIGHT CONFIG (DOES NOT INC CASTERS)	1	
4	211001.10002	CROSS MEMBER ASSEMBLY, INCLUDING NUTSERT	1	
5	EM-2679	LINK RODS (LEFT & RIGHT SIDE) INCLUDING WASHERS	1	
6	232388.10000	PIVOT PLATE ASSEMBLY: BELVILLE WASHERS, CIRCLIP, CAP, LOCKING KNOB	1	
7	211001.10001	MAST COMPLETE	1	
8	211709.10000	BOOM COMPLETE	1	
9	172001.10001	LINAK CONTROLLER	1	
10	000172.10000	LINAK BATTERY	1	
11	560000.10000	LINAK BATTERY AND CONTROLLER BRACKET AND FIXINGS	1	
12	TBA	LINAK BATTERY CHARGER AND DESK TOP UNIT	1	
13	293001.10000	LINAK HAND CONTROL	1	
14	182001.10000	LINAK ACTUATOR (300mm STROKE)	1	
15	232388.10007	LEG ADJUSTER HANDLE	1	
16	EM-3815	SPREADER BAR ASSEMBLY	1	
17	HY-4089	HYDRAULIC PUMP	NA	
<b>KITS AND FIXINGS COMPLETE</b>				
18	232388.10009	MAST & BOOM FIXING KIT: X2 NYLON WASHERS, X1 NYLON PIVOT TUBE, X1 STEEL PIVOT PIN, X2 WASHERS, X2 M8 CSK BOLT, X2 BLACK BUNG	1	
19	TBA	CROSS MEMBER & LEG FIXING KIT: X2 M8 CASTER BOLTS CSK, X2 M10 BUTTON HEAD CASTER BOLTS, X2 LEG PIVOT PINS LONG (MAJOR/MAXI), X2 LEG PIVOT PINS SHORT (MINI, MIDI, STOWAWAY)	1	
20	232388.10004	ACTUATOR FULCRUM FIXING KIT: X2 FIXING PINS, X4 CIRCLIP	1	
21	TBA	SPREADER BAR SERVICE KIT: X1 PADDING, X2 FULCRUM PIN CAPS, X1 BOOM END CAP, 2X CAP WASHERS, X2 CIRCLIPS X1 FULCRUM PINS, X2 SLING RETAINING PLATES COMPLETE	1	
22	N/A	LEG ADJUSTER SERVICE TOOL:	1	
23	TS-0002	DECAL SET:	1	
<b>COMMONLY REQUIRED ITEMS</b>				
24	560662	HANDLE GRIP: LEG ADJUSTER HANDLE	15	
25	323-12050	HANDLE GRIP: HYDRAULIC PUMP HANDLE	15	
26	371-10054	CIRCLIP CAPS	20	



This page is intentionally blank

# CHAPTER 5 : OXFORD MIDI

---



Sunrise Medical is ISO 9001 certified, which ensures quality at all stages of the development and production of this hoist.

## Contents

MODEL	SERIAL NO. RANGE	PAGE
OXFORD MIDI ELECTRIC	FROM MD 66763 TO MD 70752	5.3
OXFORD MIDI ELECTRIC	FROM MD 70753 TO MD 78528	5.5
OXFORD MIDI ELECTRIC	FROM MD 78529 TO MD 81620	5.7
OXFORD MIDI ELECTRIC	FROM MD 81621 TO MD 15586	5.9
OXFORD MIDI ELECTRIC	FROM MD 15586 TO DATE	5.11
OXFORD MIDI HYDRAULIC	FROM MDH 78447 TO MDH 82728	5.13
OXFORD MIDI HYDRAULIC	FROM MDH 82728 TO MDH 12840	5.15
OXFORD MIDI HYDRAULIC	FROM MDH 12840 TO DATE	5.17
OXFORD MIDI 170KG		5.19

## IMPORTANT

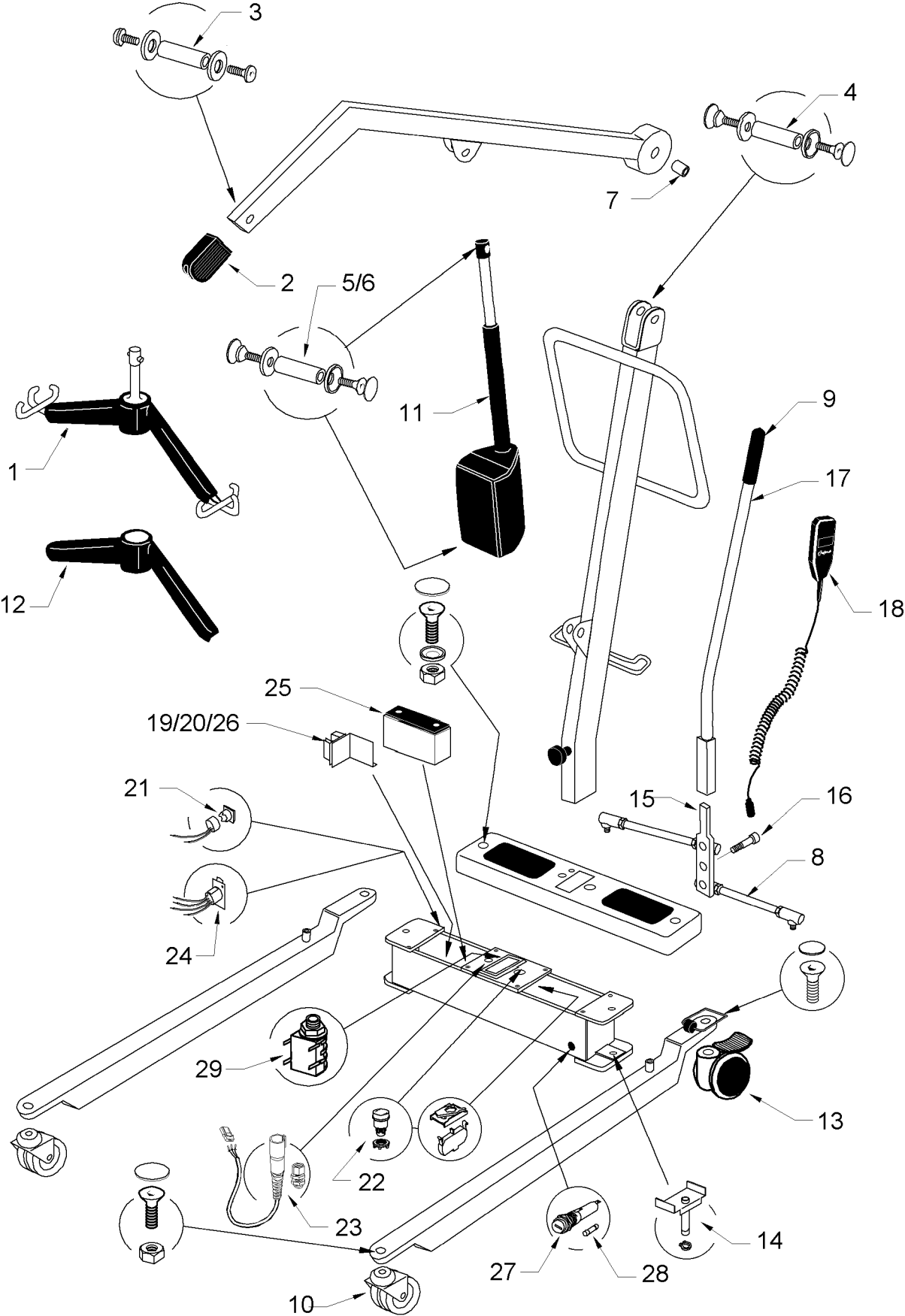
IT IS POTENTIALLY HAZARDOUS TO FIT OR USE ANY PARTS OTHER THAN GENUINE **SUNRISE MEDICAL PARTS**. THE COMPANY DISCLAIMS ALL LIABILITY FOR THE CONSEQUENCES OF SUCH USE, WHICH IN ADDITION VOIDS THE MACHINE WARRANTY.

THIS HOIST IS FOR THE CARRIAGE OF ONE PERSON AND **MUST NOT** BE USED FOR ANY OTHER PURPOSE.

# OXFORD MIDI ELECTRIC



This illustration and accompanying text set out in this Document is the Property of SUNRISE MEDICAL LTD. and must not be copied or used for manufacturing, tendering or any other purpose without their permission.



SPDWG 55

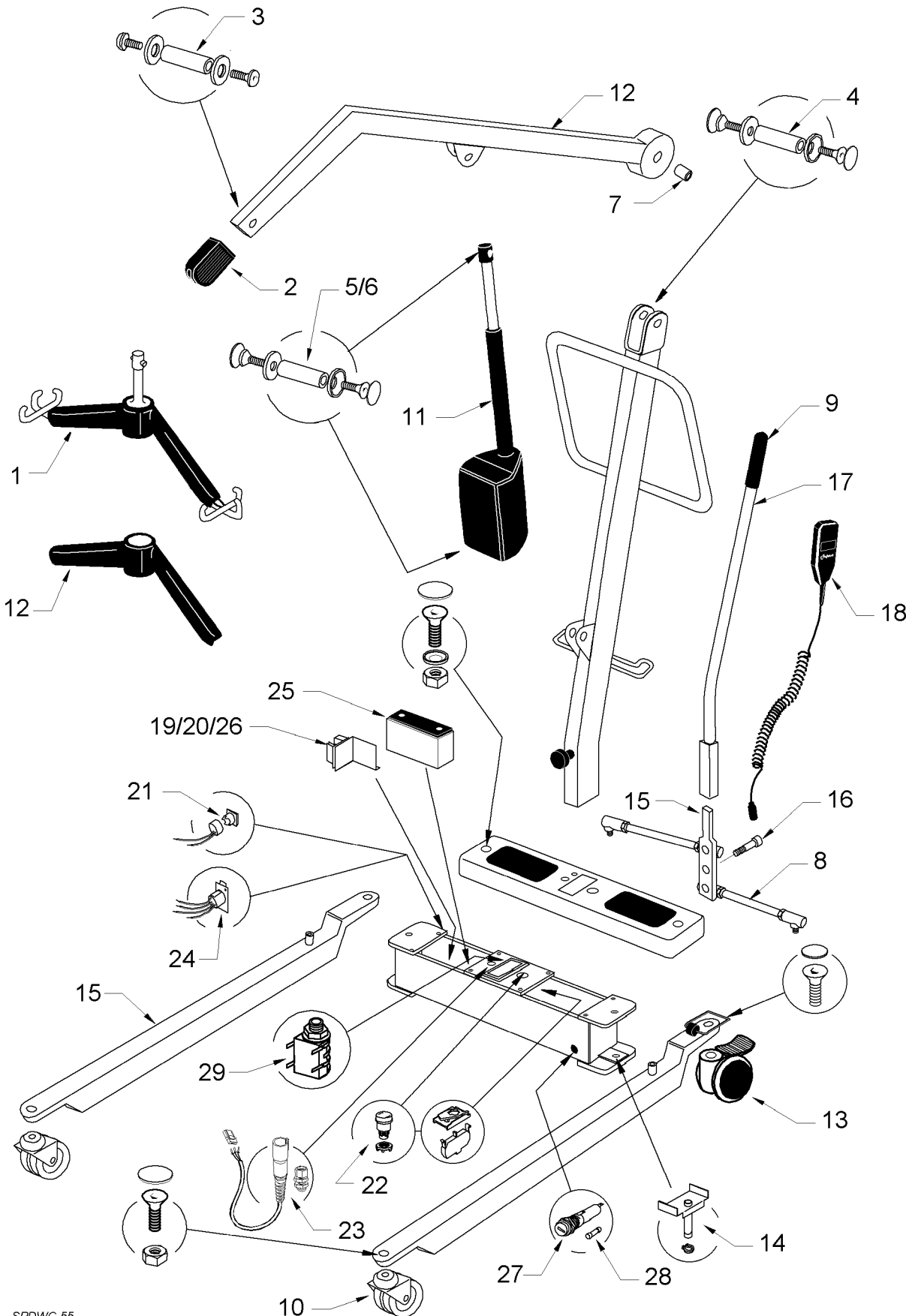
# OXFORD MIDI ELECTRIC

ITEM NO.	PART NO.	DESCRIPTION	QTY	SERIAL NO.
<b>SERIAL NUMBERS FROM MD66763 TO MD70752</b>				
1	808003.10021	SPREADER BAR (WHITE) COMPLETE	Kit	
2	EM-2730	BOOM END PADDING	1	
3	808003.10002	SPREADER BAR FULCRUM PIN COMPLETE	Kit	
4	808003.10003	BOOM/MAST FULCRUM PIN COMPLETE	Kit	
5	808003.10004	RAM/BOOM FULCRUM PIN COMPLETE	Kit	
6	808003.10005	RAM/MAST FULCRUM PIN COMPLETE	Kit	
7	17001	FULCRUM PIN BUSH	1	
8	EM-2679	LEG ADJUSTER LINKAGE	1	
9	323.12040	LEG ADJUSTER HANDLE GRIP	1	
10	311.32210	FRONT CASTOR - TWIN 75mm PLAIN (LOW)	2	
11	17586	ACTUATOR - LINAK LA32	1	
12	EM-2993	SPREADER BAR COVER (BLACK)	1	
13	EM3700	REAR CASTOR - TWIN 100mm BRAKED (DE LUXE)	1	
14	17582	LEG PIVOT PIN COMPLETE	Kit	
15	17073	LEG ADJUSTER PLATE COMPLETE	Kit	
16	17609	LEG ADJUSTER SHOULDER SCREW	1	
17	17581	LEG ADJUSTER HANDLE	1	
18	14042	HANDCONTROL	1	
19	17040	CONTROL PCB - CLARKES	1	
20	336.00016	CONTROL PCB EDGE CONNECTOR	1	
21	215-032	EMERGENCY DOWN PUSH BUTTON	1	
22	808003.10017	EMERGENCY STOP SWITCH COMPLETE	Kit	
23	13566	HANDCONTROL SOCKET	1	
24	187.10000	CHARGER SOCKET (4 PIN XLR)	1	
25	337.00045	BATTERY 12VDC 7AHR	1	
26	336.00023	CONTROL PCB PLASTIC STANDOFF	2	
27	808003.10018	FUSEHOLDER COMPLETE	Kit	
28	335.00020	FUSE 25A	10	
29	13590	ACTUATOR SOCKET	1	

# OXFORD MIDI ELECTRIC



This illustration and accompanying text set out in this Document is the Property of SUNRISE MEDICAL LTD. and must not be copied or used for manufacturing, tendering or any other purpose without their permission.



SPDWG 55

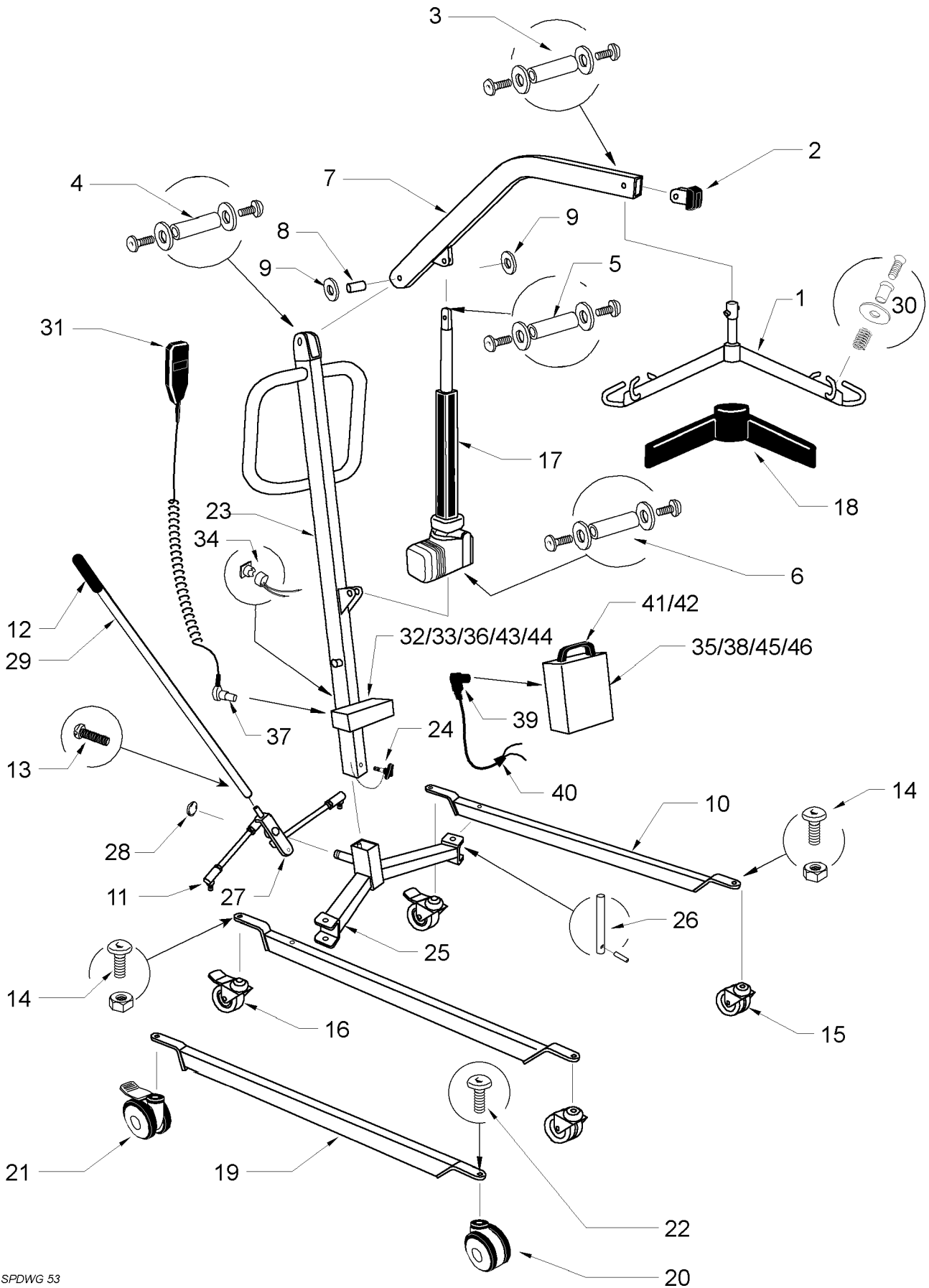
# OXFORD MIDI ELECTRIC

ITEM NO.	PART NO.	DESCRIPTION	QTY	SERIAL NO.
<b>SERIAL NUMBERS FROM MD70753 TO MD78528</b>				
1	808003.10021	SPREADER BAR (WHITE) COMPLETE	Kit	
2	EM-2730	BOOM END PADDING	1	
3	808003.10002	SPREADER BAR FULCRUM PIN COMPLETE	Kit	
4	808003.10003	BOOM/MAST FULCRUM PIN COMPLETE	Kit	
5	808003.10004	RAM/BOOM FULCRUM PIN COMPLETE	Kit	
6	808003.10005	RAM/MAST FULCRUM PIN COMPLETE	Kit	
7	17001	FULCRUM PIN BUSH	1	
8	EM-2679	LEG ADJUSTER LINKAGE	1	
9	323.12040	LEG ADJUSTER HANDLE GRIP	1	
10	311.32210	FRONT CASTOR - TWIN 75mm PLAIN (LOW)	2	
11	20086	ACTUATOR - LINAK LA32 WITH MICROSWITCHES	1	
12	EM-2993	SPREADER BAR COVER (BLACK)	1	
13	EM3700	REAR CASTOR - TWIN 100mm BRAKED (DE LUXE)	1	
14	17582	LEG PIVOT PIN COMPLETE	Kit	
15	17073	LEG ADJUSTER PLATE COMPLETE	Kit	
16	17609	LEG ADJUSTER SHOULDER SCREW	1	
17	17581	LEG ADJUSTER HANDLE	1	
18	14042	HANDCONTROL	1	
19	17040	CONTROL PCB - CLARKES	1	
20	336.00016	CONTROL PCB EDGE CONNECTOR	1	
21	215-032	EMERGENCY DOWN PUSH BUTTON	1	
22	808003.10017	EMERGENCY STOP SWITCH COMPLETE	Kit	
23	13566	HANDCONTROL SOCKET	1	
24	187.10000	CHARGER SOCKET (4 PIN XLR)	1	
25	337.00045	BATTERY 12VDC 7AHR	1	
26	336.00023	CONTROL PCB PLASTIC STANDOFF	2	
27	808003.10018	FUSEHOLDER COMPLETE	Kit	
28	335.00020	FUSE 25A	10	
29	13590	ACTUATOR SOCKET	1	

# OXFORD MIDI ELECTRIC



This illustration and accompanying text set out in this Document is the Property of SUNRISE MEDICAL LTD. and must not be copied or used for manufacturing, tendering or any other purpose without their permission.



SPDWG 53

# OXFORD MIDI ELECTRIC

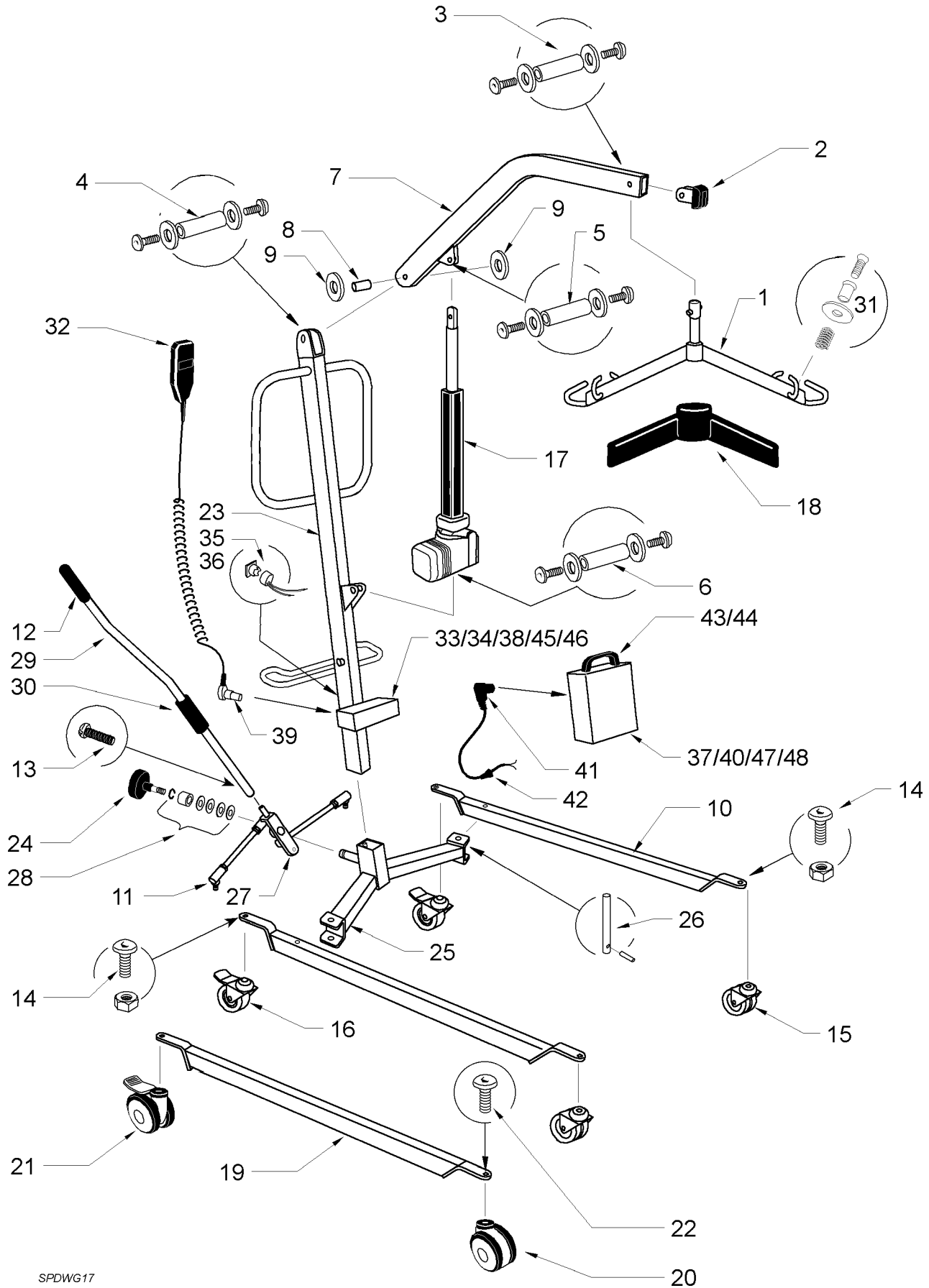
ITEM NO.	PART NO.	DESCRIPTION	QTY	SERIAL NO.
<b>SERIAL NUMBERS FROM MD78529 TO MD81620</b>				
1	808003.10021	SPREADER BAR (WHITE) COMPLETE	Kit	
2	EM-2730	BOOM END CAP	1	
3	808003.10002	SPREADER BAR FULCRUM PIN COMPLETE	Kit	
4	808003.10003	BOOM/MAST FULCRUM PIN COMPLETE	Kit	
5	808003.10004	RAM/BOOM FULCRUM PIN COMPLETE	Kit	
6	808003.10005	RAM/MAST FULCRUM PIN COMPLETE	Kit	
7	MI-2796	BOOM ONLY	1	
8	SA-2738	BOOM BEARING	1	
9	SA-2695	BOOM PLASTIC WASHER	2	
10	MI-3074	LEG (LOW) ONLY	1	
11	EM-2679	LEG ADJUSTER LINKAGE	1	
12	323.12040	LEG ADJUSTER HANDLE GRIP	1	
13	211.43350	RETAINING SCREW - LEG ADJUSTER HANDLE	1	
14	808003.10006	CASTOR FIXINGS (75mm)	Kit	
15	311.32210	FRONT CASTOR - TWIN 75mm PLAIN (LOW)	2	
16	311.31120	REAR CASTOR - SINGLE 75mm BRAKED (LOW)	2	
17	338.00035	EMS ACTUATOR	1	
18	EM-2993	SPREADER BAR COVER (BLACK)	1	
19	MI-2851	LEG (DE LUXE) ONLY	1	
20	EM3699	FRONT CASTOR - TWIN 100mm PLAIN (DE LUXE)	1	
21	EM3700	REAR CASTOR - TWIN 100mm BRAKED (DE LUXE)	1	
22	808003.10007	CASTOR FIXINGS (100mm)	Kit	
23	220-009	MAST ONLY	1	
24	215-010	MAST LOCKING KNOB	1	
25	220-011	CROSSMEMBER COMPLETE	1	
26	808003.10008	LEG PIVOT PIN COMPLETE	Kit	
27	215-014	LEG ADJUSTER PLATE COMPLETE	Kit	
28	215-016	RETAINING DOMED STARLOCK	1	
29	220-017	LEG ADJUSTER HANDLE	1	
30	808003.10013	SLING RETAINER ASSEMBLY	Kit	
31	EM-3629	HANDCONTROL (3 PIN AXL)	1	
32	336.00021	CONTROL PCB - CLARKES	1	
33	336.00016	CONTROL PCB EDGE CONNECTOR	1	
34	215-032	EMERGENCY DOWN PUSH BUTTON	1	
35	808003.10017	EMERGENCY STOP SWITCH COMPLETE	Kit	
36	EL-3711	HANDCONTROL SOCKET (3 PIN AXL)	1	
37	000184.4005	HANDCONTROL PLUG (3 PIN AXL)	1	
38	332.00085	POWER/CHARGER SOCKET (4 PIN CLIFF)	1	
39	EL-3712	POWER PLUG (4 PIN CLIFF)	1	
40	331.00009	POWER CABLE GLAND	1	
41	TS-2923	POWER PACK COMPLETE	1	
42	337.00050	BATTERY 12VDC 3.2AHR	1	
43	TS-2870	CONTROL BOX	1	
44	336.00023	CONTROL PCB PLASTIC STANDOFF	2	
45	808003.10018	FUSEHOLDER COMPLETE	Kit	
46	335.00020	FUSE 25A	10	



# OXFORD MIDI ELECTRIC



This illustration and accompanying text set out in this Document is the Property of SUNRISE MEDICAL LTD. and must not be copied or used for manufacturing, tendering or any other purpose without their permission.



SPDWG17

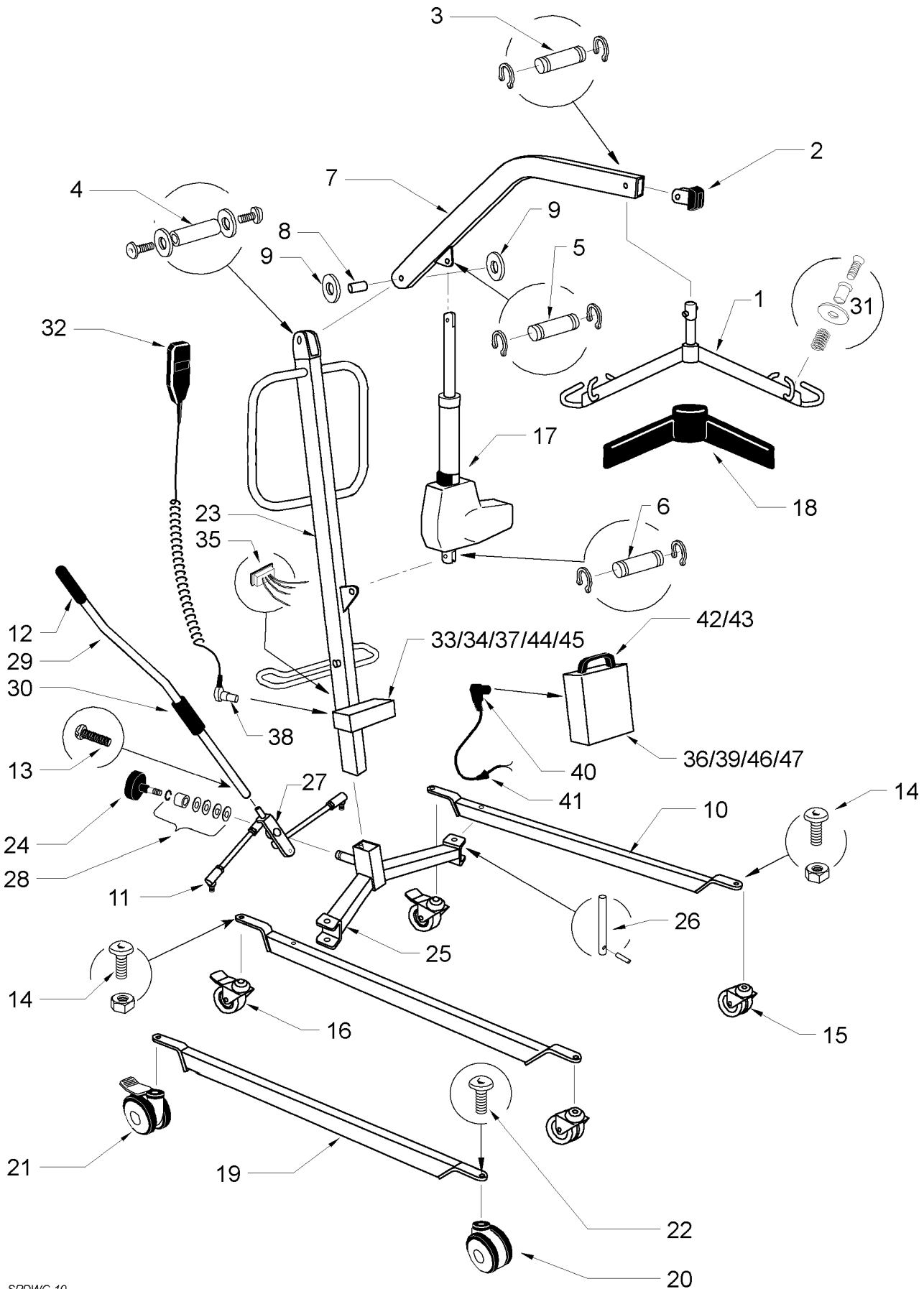
# OXFORD MIDI ELECTRIC

ITEM NO.	PART NO.	DESCRIPTION	QTY	SERIAL NO.
<b>SERIAL NUMBERS FROM MD 81621 TO MD 15586</b>				
1	808003.10021	SPREADER BAR (WHITE) COMPLETE	Kit	
2	EM-2730	BOOM END CAP	1	
3	808003.10002	SPREADER BAR FULCRUM PIN COMPLETE	Kit	
4	808003.10003	BOOM/MAST FULCRUM PIN COMPLETE	Kit	
5	808003.10004	RAM/BOOM FULCRUM PIN COMPLETE	Kit	
6	808003.10005	RAM/MAST FULCRUM PIN COMPLETE	Kit	
7	MI-2796	BOOM ONLY	1	
8	SA-2738	BOOM BEARING	1	
9	SA-2695	BOOM PLASTIC WASHER	2	
10	MI-3074	LEG (LOW) ONLY	1	
11	EM-2679	LEG ADJUSTER LINKAGE	1	
12	323.12040	LEG ADJUSTER HANDLE GRIP	1	
13	211.43350	RETAINING SCREW - LEG ADJUSTER HANDLE	1	
14	808003.10006	CASTOR FIXINGS (75mm)	Kit	
15	311.32210	FRONT CASTOR - TWIN 75mm PLAIN (LOW)	2	
16	311.31120	REAR CASTOR - SINGLE 75mm BRAKED (LOW)	2	
17	338.00035	EMS ACTUATOR	1	
18	EM-2993	SPREADER BAR COVER (BLACK)	1	
19	MI-2851	LEG (DE LUXE) ONLY	1	
20	EM3699	FRONT CASTOR - TWIN 100mm PLAIN (DE LUXE)	1	
21	EM3700	REAR CASTOR - TWIN 100mm BRAKED (DE LUXE)	1	
22	808003.10007	CASTOR FIXINGS (100mm)	Kit	
23	MI-2853	MAST ONLY	1	
24	324.02025	MAST LOCKING KNOB	1	
25	521001.10101	CROSSMEMBER COMPLETE	1	
26	808003.10008	LEG PIVOT PIN COMPLETE	Kit	
27	808003.10009	LEG ADJUSTER PLATE COMPLETE	Kit	
28	808003.10010	LEG ADJUSTER SPRING ASSEMBLY	Kit	
29	808003.10011	LEG ADJUSTER HANDLE COMPLETE	Kit	
30	808003.10012	LEG ADJUSTER ROLLER AND FITTINGS	Kit	
31	808003.10013	SLING RETAINER ASSEMBLY	Kit	
32	EM-3629	HANDCONTROL (3 PIN AXL)	1	
33	336.00021	CONTROL PCB - CLARKES	1	
34	336.00016	CONTROL PCB EDGE CONNECTOR	1	
35	215-032	EMERGENCY DOWN PUSH BUTTON (TO TSE 84156)	1	
36	333.00020	EMERGENCY DOWN ROCKER SWITCH (FROM TSE 84157)	1	
37	808003.10017	EMERGENCY STOP SWITCH COMPLETE	Kit	
38	EL-3711	HANDCONTROL SOCKET (3 PIN AXL)	1	
39	000184.4005	HANDCONTROL PLUG (3 PIN AXL)	1	
40	332.00085	POWER/CHARGER SOCKET (4 PIN CLIFF)	1	
41	EL-3712	POWER PLUG (4 PIN CLIFF)	1	
42	331.00009	POWER CABLE GLAND	1	
43	TS-2923	POWER PACK COMPLETE	1	
44	337.00050	BATTERY 12VDC 3.2AHR	1	
45	TS-2870	CONTROL BOX	1	
46	336.00023	CONTROL PCB PLASTIC STANDOFF	2	
47	808003.10018	FUSEHOLDER COMPLETE	Kit	
48	335.00020	FUSE 25A	10	

# OXFORD MIDI ELECTRIC



This illustration and accompanying text set out in this Document is the Property of SUNRISE MEDICAL LTD. and must not be copied or used for manufacturing, tendering or any other purpose without their permission.



SPDWG 10

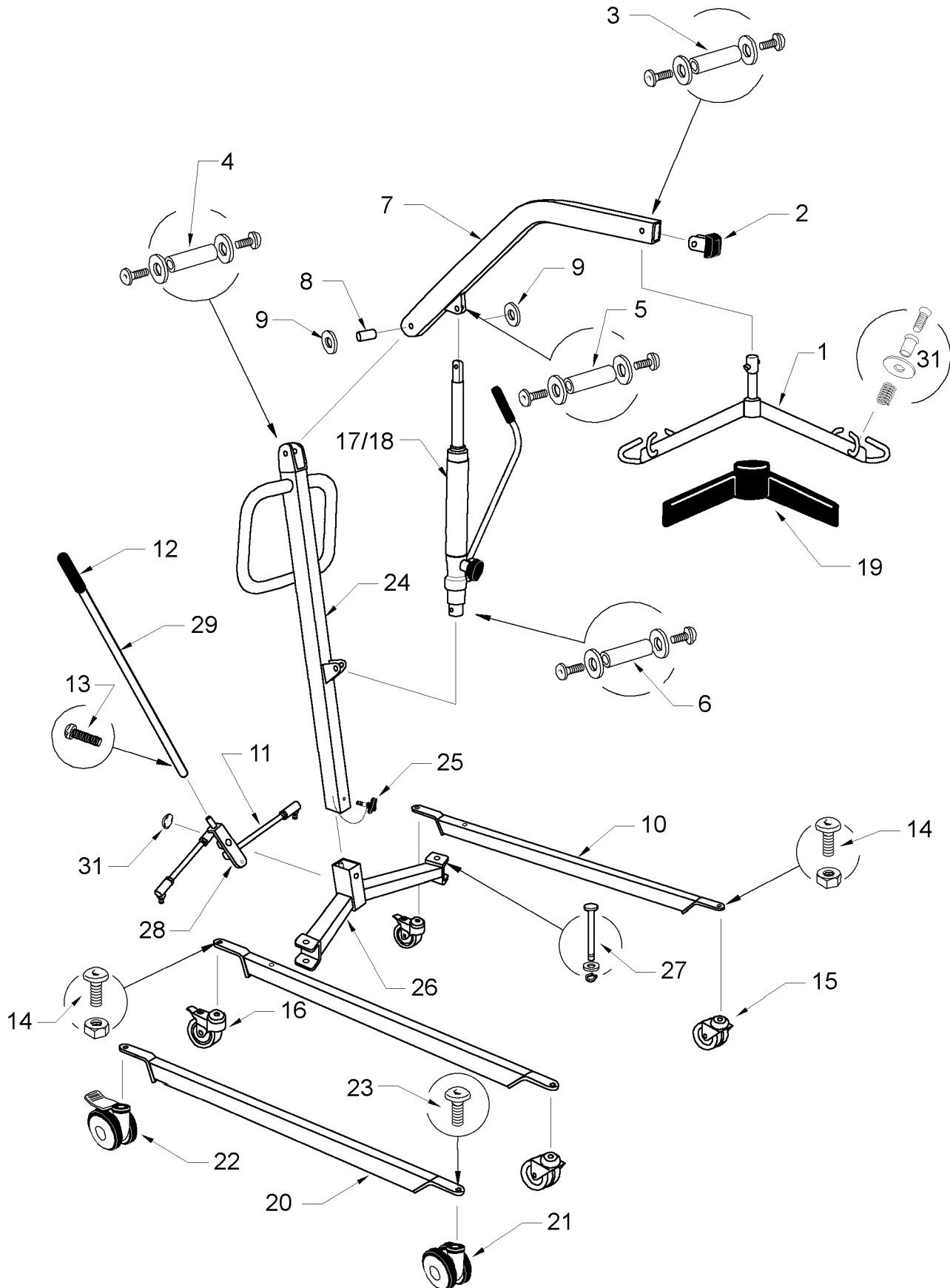
# OXFORD MIDI ELECTRIC

ITEM NO.	PART NO.	DESCRIPTION	QTY	SERIAL NO.
<b>SERIAL NUMBERS FROM MD 15586 TO DATE</b>				
1	808003.10021	SPREADER BAR (WHITE) COMPLETE	Kit	
2	EM-2730	BOOM END CAP	1	
3	808003.10014	SPREADER BAR FULCRUM PIN COMPLETE	Kit	
4	808003.10003	BOOM/MAST FULCRUM PIN COMPLETE	Kit	
5	808003.10015	RAM/BOOM FULCRUM PIN COMPLETE	Kit	
6	808003.10016	RAM/MAST FULCRUM PIN COMPLETE	Kit	
7	MI-4037	BOOM ONLY	1	
8	SA-2738	BOOM BEARING	1	
9	SA-2695	BOOM PLASTIC WASHER	2	
10	MI-3074	LEG (LOW) ONLY	1	
11	EM-2679	LEG ADJUSTER LINKAGE	1	
12	323.12040	LEG ADJUSTER HANDLE GRIP	1	
13	211.43350	RETAINING SCREW - LEG ADJUSTER HANDLE	1	
14	808003.10006	CASTOR FIXINGS (75mm)	Kit	
15	311.32210	FRONT CASTOR - TWIN 75mm PLAIN (LOW)	2	
16	311.31120	REAR CASTOR - SINGLE 75mm BRAKED (LOW)	2	
17	EL-4015	LINAK LA34 ACTUATOR	1	
18	EM-2993	SPREADER BAR COVER (BLACK)	1	
19	MI-2851	LEG (DE LUXE) ONLY	1	
20	EM3699	FRONT CASTOR - TWIN 100mm PLAIN (DE LUXE)	1	
21	EM3700	REAR CASTOR - TWIN 100mm BRAKED (DE LUXE)	1	
22	808003.10007	CASTOR FIXINGS (100mm)	Kit	
23	MI-4039	MAST ONLY	1	
24	324.02025	MAST LOCKING KNOB	1	
25	521001.10101	CROSSMEMBER COMPLETE	Kit	
26	808003.10008	LEG PIVOT PIN COMPLETE	Kit	
27	808003.10009	LEG ADJUSTER PLATE COMPLETE	Kit	
28	808003.10010	LEG ADJUSTER SPRING ASSEMBLY	Kit	
29	808003.10011	LEG ADJUSTER HANDLE COMPLETE	Kit	
30	808003.10012	LEG ADJUSTER ROLLER AND FITTINGS	Kit	
31	808003.10013	SLING RETAINER ASSEMBLY	Kit	
32	EM-3629	HANDCONTROL (3 PIN AXL)	1	
33	336.00021	CONTROL PCB - CLARKES	1	
34	336.00016	CONTROL PCB EDGE CONNECTOR	1	
35	333.00020	EMERGENCY DOWN ROCKER SWITCH	1	
36	808003.10017	EMERGENCY STOP SWITCH COMPLETE	Kit	
37	EL-3711	HANDCONTROL SOCKET (3 PIN AXL)(WIRED)	1	
38	000184.4005	HANDCONTROL PLUG (3 PIN AXL)	1	
39	332.00085	POWER/CHARGER SOCKET (4 PIN CLIFF)	1	
40	EL-3712	POWER PLUG (4 PIN CLIFF)(WIRED)	1	
41	331.00009	POWER CABLE GLAND	1	
42	TS-2923	POWER PACK COMPLETE	1	
43	337-00050	BATTERY 12VDC 3.2AHR	1	
44	TS-2870	CONTROL BOX	1	
45	336.00023	CONTROL PCB PLASTIC STANDOFF	2	
46	808003.10018	FUSEHOLDER COMPLETE	Kit	
47	335.00020	FUSE 25A	10	

# OXFORD MIDI HYDRAULIC



This illustration and accompanying text set out in this Document is the Property of SUNRISE MEDICAL LTD. and must not be copied or used for manufacturing, tendering or any other purpose without their permission.



SPDWG 56

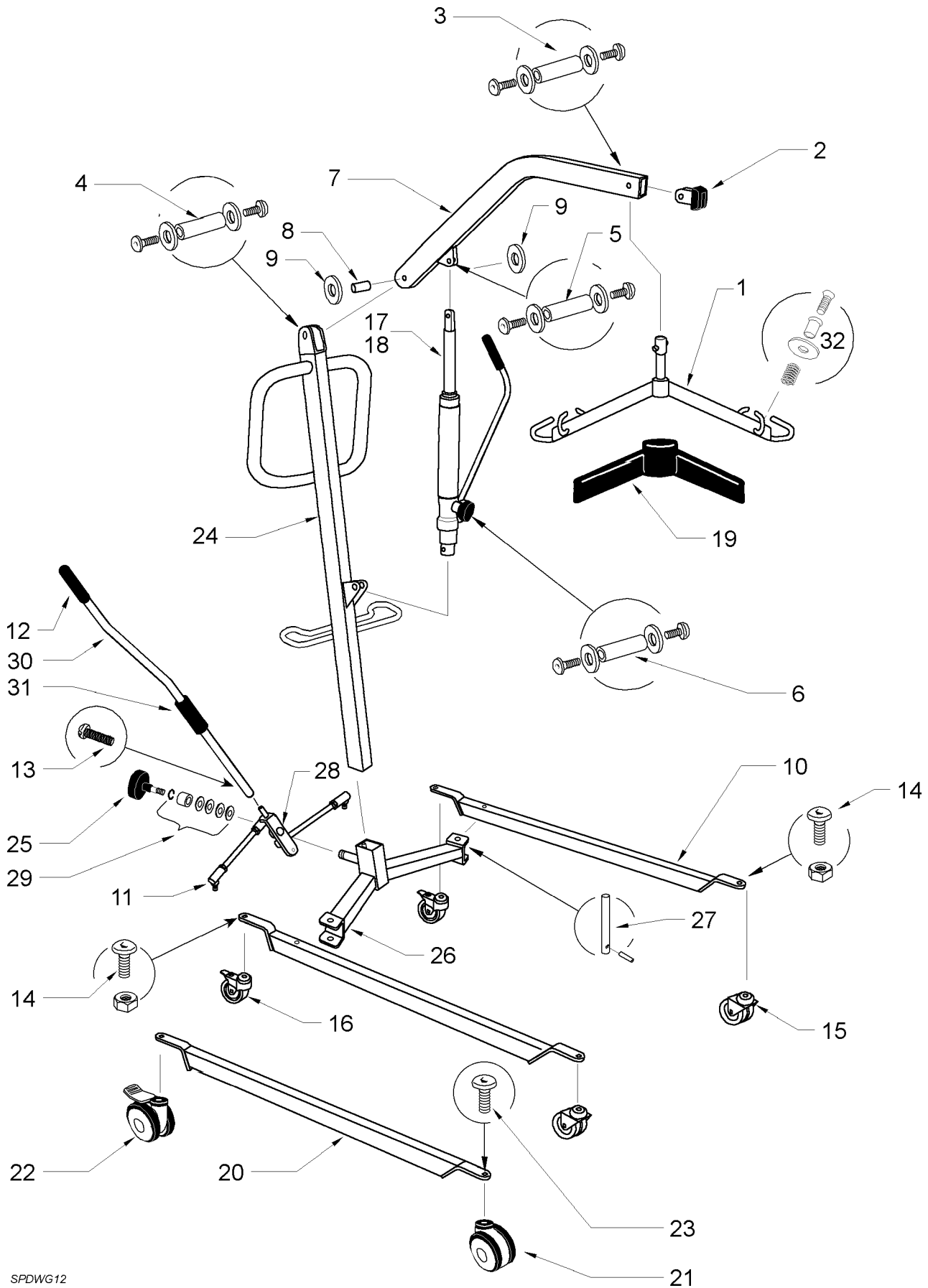
# OXFORD MIDI HYDRAULIC

ITEM NO.	PART NO.	DESCRIPTION	QTY	SERIAL NO.
<b>SERIAL NUMBERS FROM MDH78447 TO MDH 82728</b>				
1	808003.10021	SPREADER BAR (WHITE) COMPLETE	Kit	
2	EM-2730	BOOM END CAP	1	
3	808003.10002	SPREADER BAR FULCRUM PIN COMPLETE	Kit	
4	808003.10003	BOOM/MAST FULCRUM PIN COMPLETE	Kit	
5	808003.10004	RAM/BOOM FULCRUM PIN COMPLETE	Kit	
6	808003.10005	RAM/MAST FULCRUM PIN COMPLETE	Kit	
7	MI-2796	BOOM ONLY	1	
8	SA-2738	BOOM BEARING	1	
9	SA-2695	BOOM PLASTIC WASHER	2	
10	MI-3074	LEG (LOW) ONLY	1	
11	EM-2679	LEG ADJUSTER LINKAGE	1	
12	323.12040	LEG ADJUSTER HANDLE GRIP	1	
13	211.43350	RETAINING SCREW - LEG ADJUSTER HANDLE	1	
14	808003.10006	CASTOR FIXINGS (75mm)	Kit	
15	311.32210	FRONT CASTOR - TWIN 75mm PLAIN (LOW)	2	
16	311.31120	REAR CASTOR - SINGLE 75mm BRAKED (LOW)	2	
17	HY-2920	HYDRAULIC UNIT MIDI MK II NEW	1	
18	808003.10022	HYDRAULIC UNIT MIDI MK II SERVICE EXCHANGE	1	
19	EM-2993	SPREADER BAR COVER (BLACK)	1	
20	MI-2851	LEG (DE LUXE) ONLY	1	
21	EM3699	FRONT CASTOR - TWIN 100mm PLAIN (DE LUXE)	1	
22	EM3700	REAR CASTOR - TWIN 100mm BRAKED (DE LUXE)	1	
23	808003.10007	CASTOR FIXINGS (100mm)	Kit	
24	230-009	MAST ONLY	1	
25	230-010	MAST LOCKING KNOB	1	
26	230-011	CROSSMEMBER COMPLETE	1	
27	230-012	LEG PIVOT PIN COMPLETE	Kit	
28	230-014	LEG ADJUSTER PLATE COMPLETE	Kit	
29	230-017	LEG ADJUSTER HANDLE COMPLETE	1	
30	230-016	RETAINING DOMED STARLOCK	1	
31	808003.10013	SLING RETAINER ASSEMBLY	Kit	

# OXFORD MIDI HYDRAULIC



This illustration and accompanying text set out in this Document is the Property of SUNRISE MEDICAL LTD. and must not be copied or used for manufacturing, tendering or any other purpose without their permission.



SPDWG12

# OXFORD MIDI HYDRAULIC

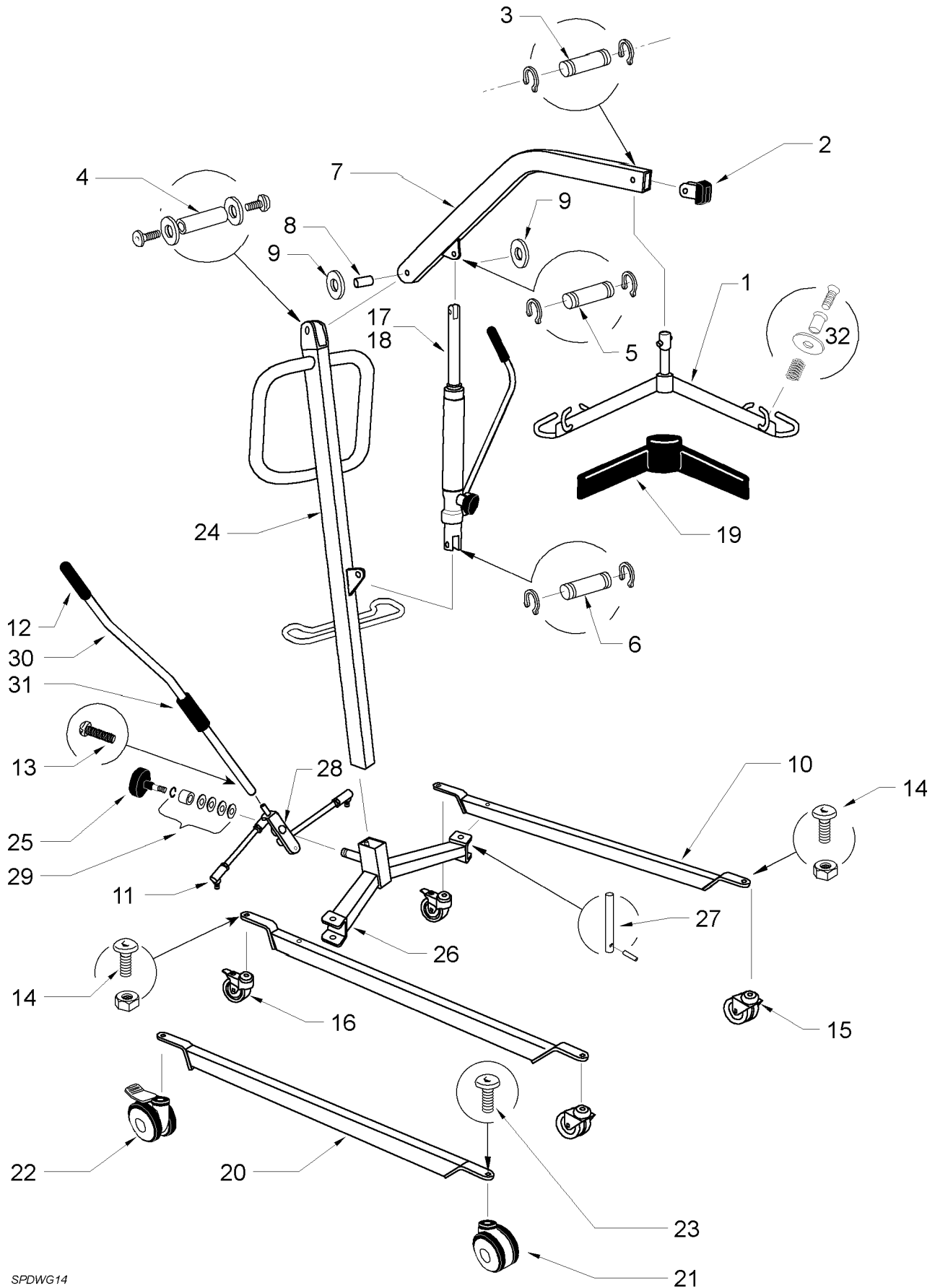
ITEM NO.	PART NO.	DESCRIPTION	QTY	SERIAL NO.
<b>SERIAL NUMBERS FROM MDH 82728 TO MDH 12840</b>				
1	808003.10021	SPREADER BAR (WHITE) COMPLETE	Kit	
2	EM-2730	BOOM END CAP	1	
3	808003.10002	SPREADER BAR FULCRUM PIN COMPLETE	Kit	
4	808003.10003	BOOM/MAST FULCRUM PIN COMPLETE	Kit	
5	808003.10004	RAM/BOOM FULCRUM PIN COMPLETE	Kit	
6	808003.10005	RAM/MAST FULCRUM PIN COMPLETE	Kit	
7	MI-2796	BOOM ONLY	1	
8	SA-2738	BOOM BEARING	1	
9	SA-2695	BOOM PLASTIC WASHER	2	
10	MI-3074	LEG (LOW) ONLY	1	
11	EM-2679	LEG ADJUSTER LINKAGE	1	
12	323.12040	LEG ADJUSTER HANDLE GRIP	1	
13	211.43350	RETAINING SCREW - LEG ADJUSTER HANDLE	1	
14	808003.10006	CASTOR FIXINGS (75mm)	Kit	
15	311.32210	FRONT CASTOR - TWIN 75mm PLAIN (LOW)	2	
16	311.31120	REAR CASTOR - SINGLE 75mm BRAKED (LOW)	2	
17	HY-2920	HYDRAULIC UNIT MIDI MK II NEW	1	
18	808003.10022	HYDRAULIC UNIT MIDI MK II SERVICE EXCHANGE	1	
19	EM-2993	SPREADER BAR COVER (BLACK)	1	
20	MI-2851	LEG (DE LUXE) ONLY	1	
21	EM3699	FRONT CASTOR - TWIN 100mm PLAIN (DE LUXE)	1	
22	EM3700	REAR CASTOR - TWIN 100mm BRAKED (DE LUXE)	1	
23	808003.10007	CASTOR FIXINGS (100mm)	Kit	
24	MI-2782	MAST ONLY	1	
25	324.02025	MAST LOCKING KNOB	1	
26	521001.10101	CROSSMEMBER COMPLETE	1	
27	808003.10008	LEG PIVOT PIN COMPLETE	Kit	
28	808003.10009	LEG ADJUSTER PLATE COMPLETE	Kit	
29	808003.10010	LEG ADJUSTER SPRING ASSEMBLY	Kit	
30	808003.10011	LEG ADJUSTER HANDLE COMPLETE	Kit	
31	808003.10012	LEG ADJUSTER ROLLER AND FITTINGS	Kit	
32	808003.10013	SLING RETAINER ASSEMBLY	Kit	



# OXFORD MIDI HYDRAULIC



This illustration and accompanying text set out in this Document is the Property of SUNRISE MEDICAL LTD. and must not be copied or used for manufacturing, tendering or any other purpose without their permission.



SPDWG14

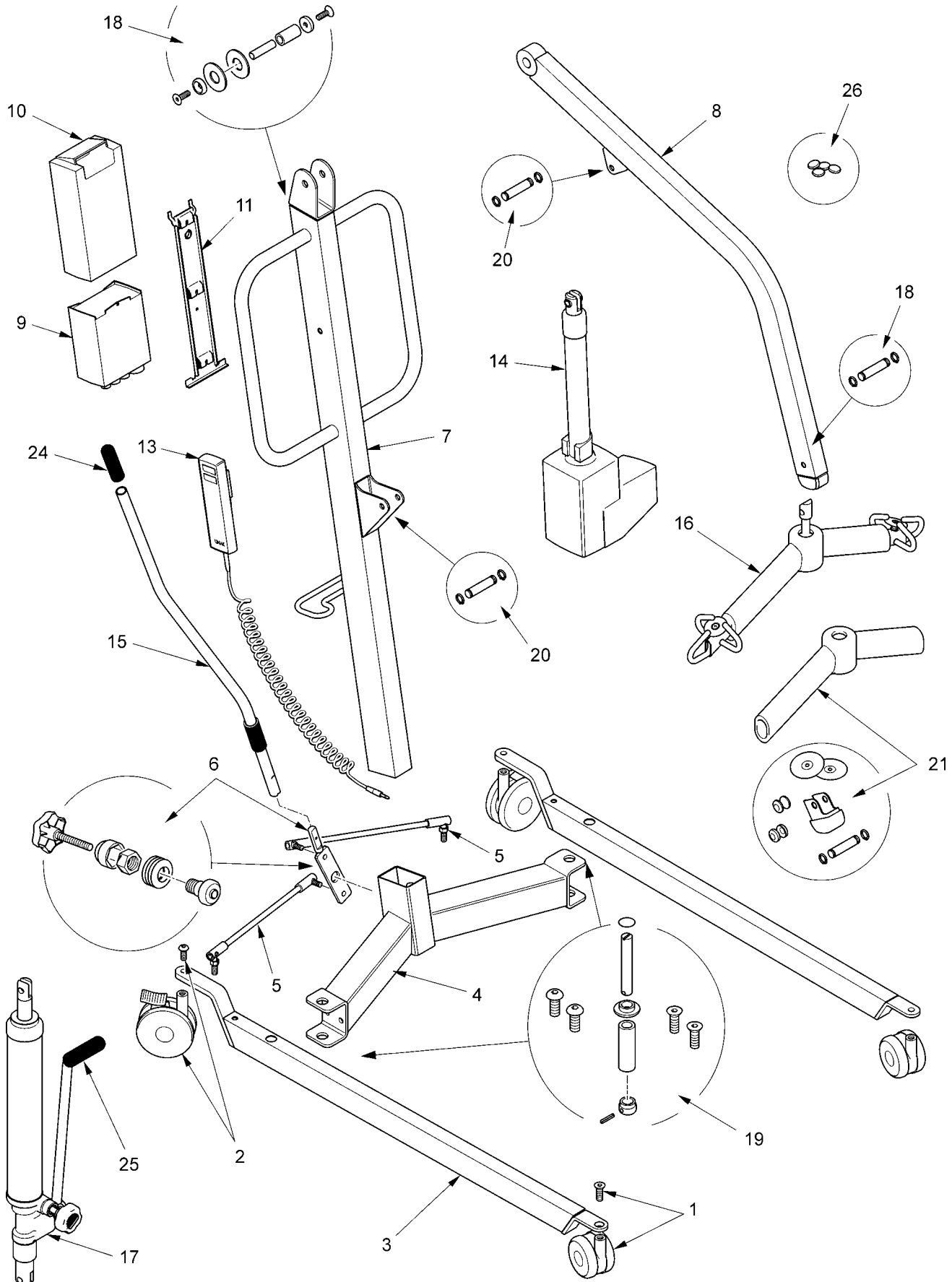
# OXFORD MIDI HYDRAULIC

ITEM NO.	PART NO.	DESCRIPTION	QTY	SERIAL NO.
<b>SERIAL NUMBERS FROM MDH 12840 TO DATE</b>				
1	808003.10021	SPREADER BAR (WHITE) COMPLETE	Kit	
2	EM-2730	BOOM END CAP	1	
3	808003.10014	SPREADER BAR FULCRUM PIN COMPLETE	Kit	
4	808003.10003	BOOM/MAST FULCRUM PIN COMPLETE	Kit	
5	808003.10015	RAM/BOOM FULCRUM PIN COMPLETE	Kit	
6	808003.10016	RAM/MAST FULCRUM PIN COMPLETE	Kit	
7	MI-4037	BOOM ONLY	1	
8	SA-2738	BOOM BEARING	1	
9	SA-2695	BOOM PLASTIC WASHER	2	
10	MI-3074	LEG (LOW) ONLY	1	
11	EM-2679	LEG ADJUSTER LINKAGE	1	
12	323.12040	LEG ADJUSTER HANDLE GRIP	1	
13	211.43350	RETAINING SCREW - LEG ADJUSTER HANDLE	1	
14	808003.10006	CASTOR FIXINGS (75mm)	Kit	
15	311.32210	FRONT CASTOR - TWIN 75mm PLAIN (LOW)	2	
16	311.31120	REAR CASTOR - SINGLE 75mm BRAKED (LOW)	2	
17	HY-4088	HYDRAULIC UNIT MIDI MK III NEW	1	
18	808003.10023	HYDRAULIC UNIT MIDI MK III SERVICE EXCHANGE	1	
19	EM-2993	SPREADER BAR COVER (BLACK)	1	
20	MI-2851	LEG (DE LUXE) ONLY	1	
21	EM3699	FRONT CASTOR - TWIN 100mm PLAIN (DE LUXE)	1	
22	EM3700	REAR CASTOR - TWIN 100mm BRAKED (DE LUXE)	1	
23	808003.10007	CASTOR FIXINGS (100mm)	Kit	
24	MI-4093	MAST ONLY	1	
25	324.02025	MAST LOCKING KNOB	1	
26	521001.10101	CROSSMEMBER COMPLETE	1	
27	808003.18	LEG PIVOT PIN COMPLETE	Kit	
28	808003.19	LEG ADJUSTER PLATE COMPLETE	Kit	
29	808003.10010	LEG ADJUSTER SPRING ASSEMBLY	Kit	
30	808003.10011	LEG ADJUSTER HANDLE COMPLETE	Kit	
31	808003.10012	LEG ADJUSTER ROLLER AND FITTINGS	Kit	
32	808003.10013	SLING RETAINER ASSEMBLY	Kit	

# OXFORD MIDI 170KG



This illustration and accompanying text set out in this Document is the Property of SUNRISE MEDICAL LTD. and must not be copied or used for manufacturing, tendering or any other purpose without their permission.



539A203

# OXFORD MIDI 170KG

ITEM NO.	PART NO.	DESCRIPTION	QTY	SERIAL NO.
1	091388.10000	CASTER KIT:75mm NYLON CASTER, M8 CSK SCREW	1	
2	091388.10001	REAR CASTER KIT: 100mm NYLON BRAKED CASTER M10 BUTTON HEAD BOLT	1	
3	211001.10003	LEG FABRICATION: SUITABLE FOR LEFT AND RIGHT CONFIG (DOES NOT INC CATERS)	1	
4	211001.10002	CROSS MEMBER ASSEMBLY, INCLUDING NUTSERT	1	
5	EM-2679	LINK RODS (LEFT & RIGHT SIDE) INCLUDING WASHERS	1	
6	232388.10000	PIVOT PLATE ASSEMBLY: BELVILLE WASHERS, CIRCLIP, CAP, AND LOCKING KNOB	1	
7	211001.10004	MAST COMPLETE	1	
8	211709.10001	BOOM COMPLETE	1	
9	172001.10003	LINAK CONTROLLER	1	
10	000172.10000	LINAK BATTERY	1	
11	560000.10000	LINAK BATTERY AND CONTROLLER BRACKET AND FIXINGS	1	
12	TBA	LINAK BATTERY CHARGER AND DESK TOP UNIT	1	
13	293001.10000	LINAK HAND CONTROL	1	
14	182001.10001	LINAK ACTUATOR (300mm STROKE)	1	
15	232388.10007	LEG ADJUSTER HANDLE	1	
16	EM-3815	SPREADER BAR ASSEMBLY	1	
17	HY-4089	HYDRAULIC PUMP	NA	
<b>KITS AND FIXINGS COMPLETE</b>				
18	232388.10005	MAST & BOOM FIXING KIT: X2 NYLON WASHERS, X1 NYLON PIVOT TUBE, X1 STEEL PIVOT PIN, X2 WASHERS, X2 M8 CSK BOLT	1	
19	TBA	CROSS MEMBER & LEG FIXING KIT: X2 M8 CASTER BOLTS CSK, X2 M10 BUTTON HEAD CASTER BOLTS, X2 LEG PIVOT PINS LONG (MAJOR/MAXI), X2 LEG PIVOT PINS SHORT (MINI, MIDI, STOWAWAY)	1	
20	232388.10004	ACTUATOR FULCRUM FIXING KIT: X2 FIXING PINS, X4 CIRCLIP	1	
21	TBA	SPREADER BAR SERVICE KIT: X1 PADDING, X2 FULCRUM PIN CAPS, X1 BOOM END CAP, 2X CAP WASHERS, X2 CIRCLIPS X1 FULCRUM PINS, X2 SLING RETAINING PLATES COMPLETE	1	
22	N/A	LEG ADJUSTER SERVICE TOOL:	1	
23	000412.10010	DECAL SET ELECT:	1	
	000412.10011	DECAL SET HYD:	1	
<b>COMMONLY REQUIRED ITEMS</b>				
24	560662	HANDLE GRIP: LEG ADJUSTER HANDLE	15	
25	323-12050	HANDLE GRIP: HYDRAULIC PUMP HANDLE	15	
26	371-10054	CIRCLIP CAPS	20	

This page is intentionally blank

# CHAPTER 6 : OXFORD MAXI 160

---



Sunrise Medical is ISO 9001 certified, which ensures quality at all stages of the development and production of this hoist.

## Contents

MODEL	SERIAL NO. RANGE	PAGE
OXFORD MAXI 160	FROM MA 53151 TO MA 74558	6.3
OXFORD MAXI 160 MARK II	FROM MA 74559 TO MA 83166	6.5
OXFORD MAXI 160 MARK II	FROM MA 83167 TO MA 15500	6.5
OXFORD MAXI 160 MARK II	FROM MA 74559 TO DATE	6.5
OXFORD MAXI 190KG		6.11

## IMPORTANT

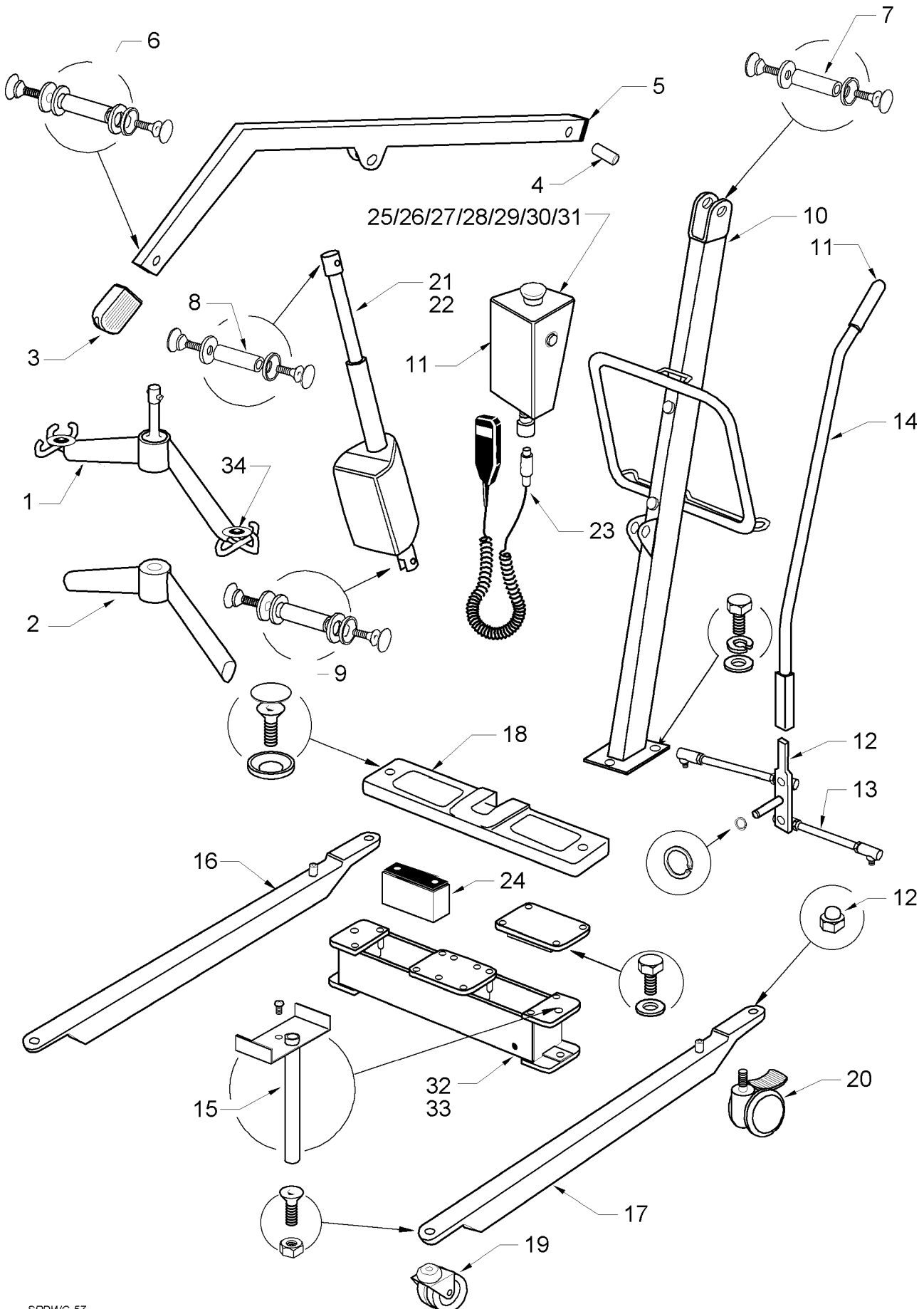
IT IS POTENTIALLY HAZARDOUS TO FIT OR USE ANY PARTS OTHER THAN GENUINE **SUNRISE MEDICAL PARTS**. THE COMPANY DISCLAIMS ALL LIABILITY FOR THE CONSEQUENCES OF SUCH USE, WHICH IN ADDITION VOIDS THE MACHINE WARRANTY.

THIS HOIST IS FOR THE CARRIAGE OF ONE PERSON AND **MUST NOT** BE USED FOR ANY OTHER PURPOSE.

# OXFORD MAXI 160



This illustration and accompanying text set out in this Document is the Property of SUNRISE MEDICAL LTD. and must not be copied or used for manufacturing, tendering or any other purpose without their permission.



SPDWG 57

# OXFORD MAXI 160

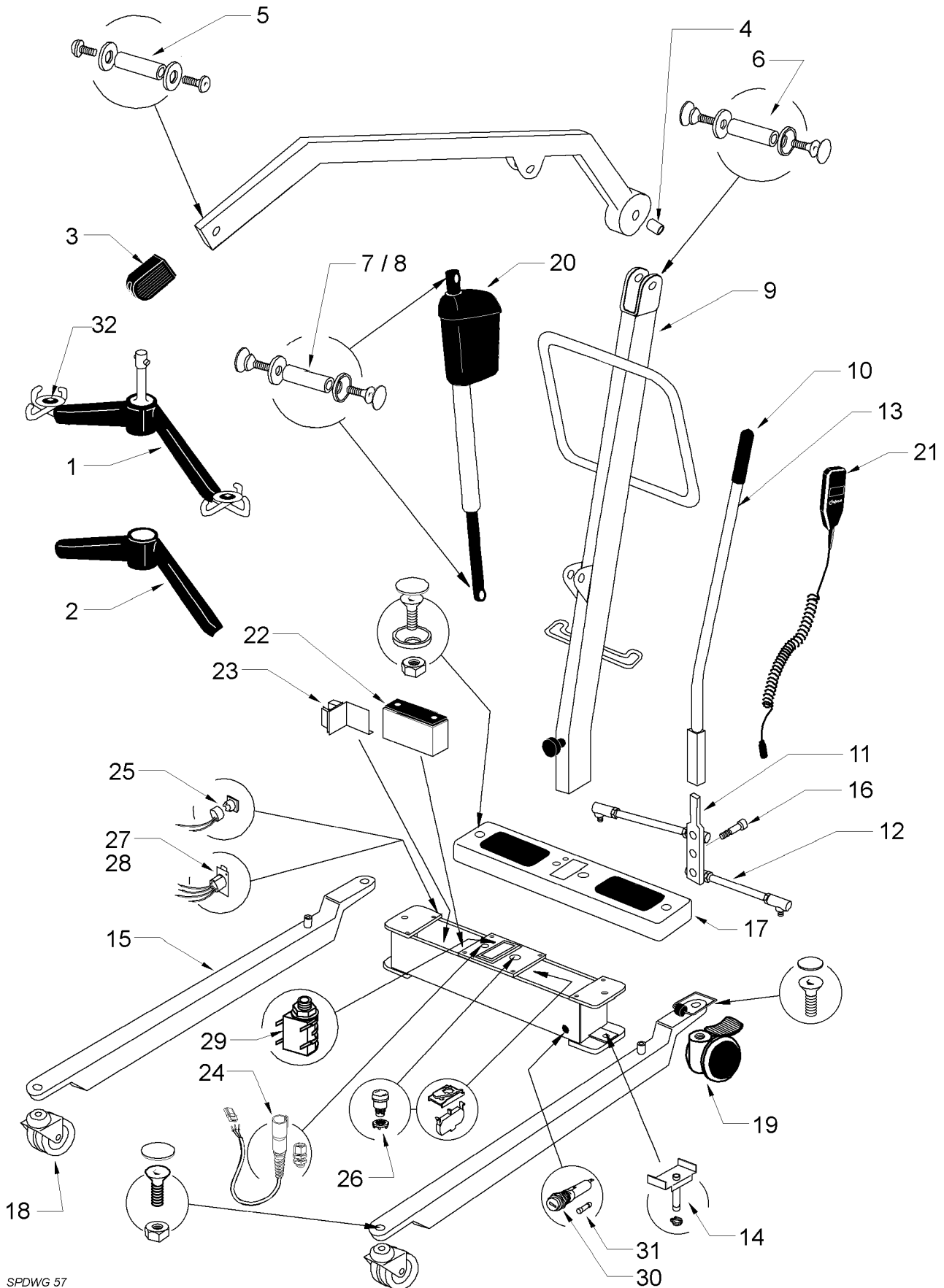
ITEM NO.	PART NO.	DESCRIPTION	QTY	SERIAL NO.
<b>SERIAL NUMBERS MA53151 TO MA74558</b>				
1	808003.10021	SPREADER BAR COMPLETE	Kit	
2	EM-2993	SPREADER BAR COVER	1	
3	14003	BOOM END PADDING	1	
4	14006	BOOM BEARING (12mm)	1	
5	14009	BOOM END CAP	1	
6	808003.10025	SPREADER BAR FULCRUM PIN	Kit	
7	808003.10026	BOOM/MAST FULCRUM PIN	Kit	
8	808003.10027	RAM/BOOM FULCRUM PIN	Kit	
9	808003.10028	RAM/MAST FULCRUM PIN	Kit	
10	16077	MAST ONLY	1	
11	323.12040	HAND GRIP	1	
12	17579	LEG ADJUSTER LEVER	1	
13	17580	LEG ADJUSTER LINKAGE	1	
14	17581	LEG ADJUSTER HANDLE	1	
15	17582	LEG PIN ASSEMBLY	1	
16	16083	RIGHT LEG ONLY	1	
17	16084	LEFT LEG ONLY	1	
18	17585	CROSSMEMBER PLASTIC COVER	1	
19	311.32210	FRONT CASTOR 75mm PLAIN TWIN	1	
20	13526	REAR BRAKED CASTOR - 100mm TWIN	1	
21	14030	ACTUATOR - LINAK LA38 (TO MA61000)	1	
22	17586	ACTUATOR - LINAK LA32 (FROM MA61000)	1	
23	14042	HANDCONTROL - LINAK 8 PIN	1	
24	14052	BATTERY - 6V 12AHR	1	
25	17640	CONTROL BOX COMPLETE (CLARKES PCB)	1	
26	17542	CONTROL PCB - LINAK CS1600-14-24 (NON-PREFERRED)	1	
27	17543	BLEEPER PCB	1	
28	17544	CONTROL PCB - CLARKES (PREFERRED)	1	
29	13566	HANDCONTROL SOCKET (EXTENDED TYPE)	1	
30	17567	CHARGING SOCKET (JACK PLUG TYPE)	1	
31	14083	JACK PLUG - 3 POLE	1	
32	808003.10018	FUSEHOLDER COMPLETE	Kit	
33	335.00020	FUSE 25A	10	
ND	14062	CHARGER - UK 240V - JACK PLUG	1	
ND	14065	CHARGER - EURO 220V - JACK PLUG	1	
ND	14068	CHARGER - USA 110V - JACK PLUG	1	
34	808003.10013	SLING RETAINER ASSEMBLY	Kit	



# OXFORD MAXI 160 MARK II



This illustration and accompanying text set out in this Document is the Property of SUNRISE MEDICAL LTD. and must not be copied or used for manufacturing, tendering or any other purpose without their permission.



SPDWG 57

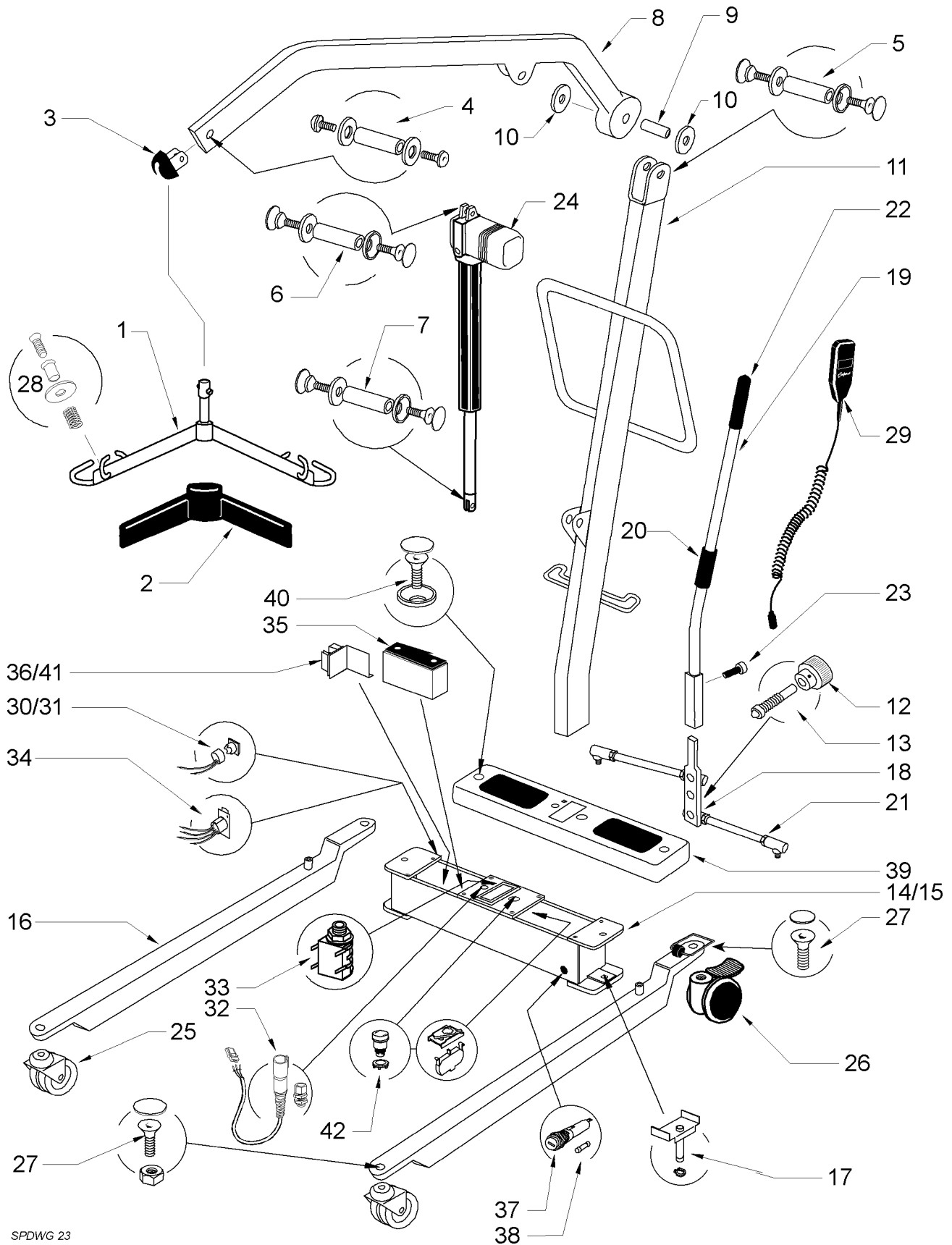
# OXFORD MAXI 160 MARK II

ITEM NO.	PART NO.	DESCRIPTION	QTY	SERIAL NO.
<b>SERIAL NUMBERS MA74559 TO MA83166</b>				
1	808003.10021	SPREADER BAR COMPLETE	Kit	
2	EM-2993	SPREADER BAR COVER	1	
3	14003	BOOM END PADDING	1	
4	17601	BOOM BEARING (12mm)	1	
5	808003.10025	SPREADER BAR FULCRUM PIN	Kit	
6	808003.10026	BOOM/MAST FULCRUM PIN	Kit	
7	808003.10027	RAM/BOOM FULCRUM PIN	Kit	
8	808003.10028	RAM/MAST FULCRUM PIN	Kit	
9	16104	MAST ONLY	1	
10	323.12040	HAND GRIP	1	
11	17073	LEG ADJUSTER LEVER	1	
12	17580	LEG ADJUSTER LINKAGE	1	
13	17581	LEG ADJUSTER HANDLE	1	
14	17582	LEG PIN ASSEMBLY	1	
15	17606	LEG ONLY	1	
16	17609	LEG ADJUSTER SHOULDER SCREW	1	
17	17006	CROSSMEMBER PLASTIC COVER	1	
18	311.32210	FRONT CASTOR 75mm PLAIN TWIN	1	
19	13526	REAR BRAKED CASTOR - 100mm TWIN	1	
20	17650	ACTUATOR - SKF 24V	1	
21	14042	HANDCONTROL - LINAK 8 PIN	1	
22	337-00045	BATTERY - 12V 7AHR	1	
23	17544	CONTROL PCB - CLARKES	1	
24	13566	HANDCONTROL SOCKET (EXTENDED TYPE)	1	
25	215-032	DESCENT BUTTON (PUSH BUTTON)	1	
26	808003.10017	EMERGENCY STOP BUTTON	1	
27	187.10000	XLR CHARGING SOCKET	1	
28	14093	XLR PLUG - 4 PIN	1	
29	332.00027	ACTUATOR SOCKET	1	
30	808003.10018	FUSEHOLDER COMPLETE	Kit	
31	335.00020	FUSE 25A	10	
ND	14090	CHARGER - UK 240V - XLR PLUG	1	
ND	14091	CHARGER - EURO 220V - XLR PLUG	1	
ND	14092	CHARGER - USA 110V - XLR PLUG	1	
32	808003.10013	SLING RETAINER ASSEMBLY	Kit	

# OXFORD MAXI 160 MARK II



This illustration and accompanying text set out in this Document is the Property of SUNRISE MEDICAL LTD. and must not be copied or used for manufacturing, tendering or any other purpose without their permission.



SPDWG 23

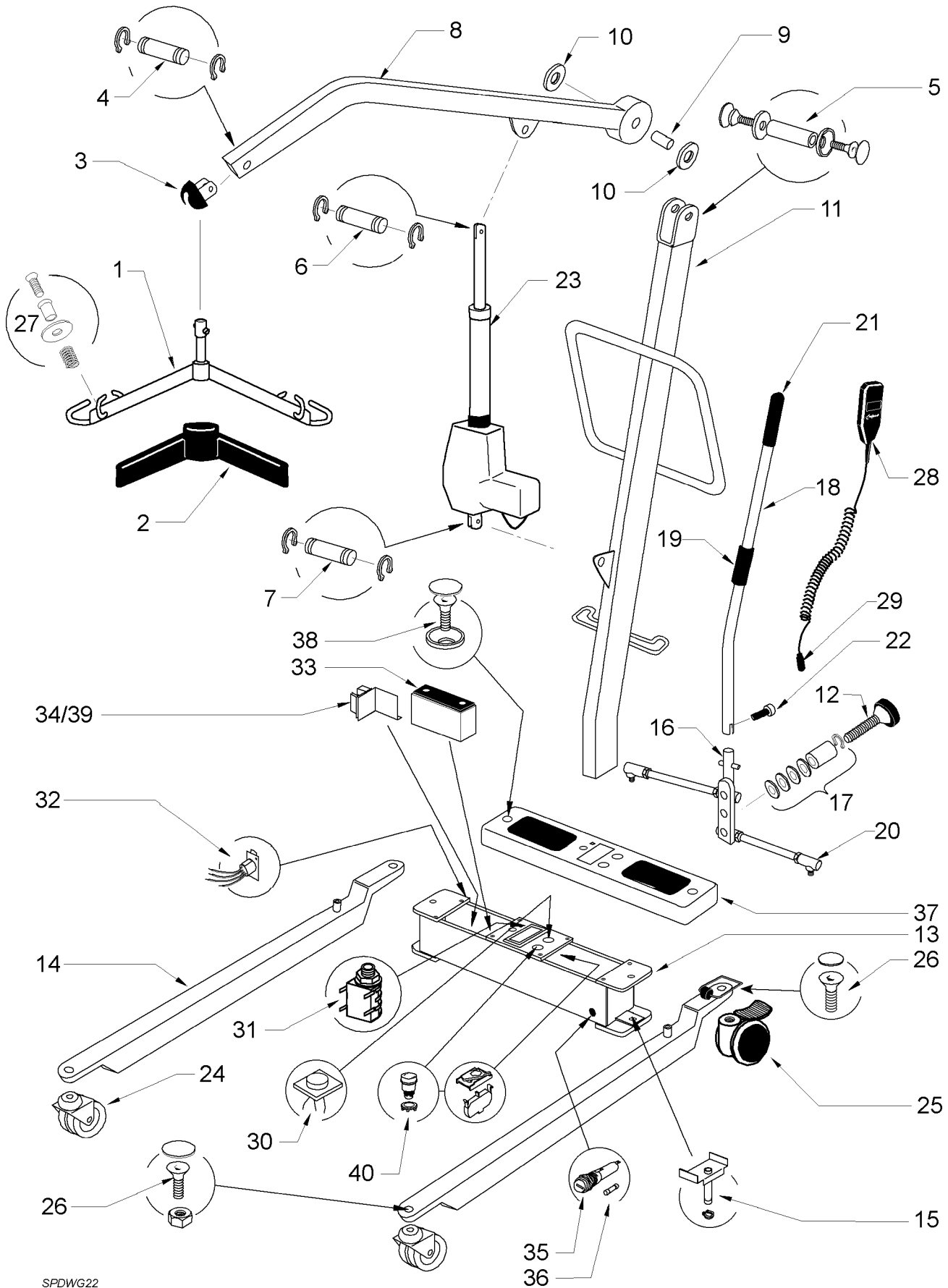
# OXFORD MAXI 160 MARK II

ITEM NO.	PART NO.	DESCRIPTION	QTY	SERIAL NO.
<b>SERIAL NUMBERS FROM 83167 TO 15500</b>				
1	808003.10021	SPREADER BAR (WHITE) COMPLETE	Kit	
2	EM-2993	SPREADER BAR COVER (BLACK)	1	
3	EM-2729	BOOM END CAP	1	
4	808003.10025	SPREADER BAR FULCRUM PIN COMPLETE	Kit	
5	808003.10026	BOOM/MAST FULCRUM PIN COMPLETE	Kit	
6	808003.10035	RAM/BOOM FULCRUM PIN COMPLETE	Kit	
7	808003.10028	RAM/MAST FULCRUM PIN COMPLETE	Kit	
8	EM-3220	BOOM ONLY	1	
9	EM-2644	BOOM BEARING	1	
10	EM-2544	BOOM BLACK PLASTIC WASHER	1	
11	MA-2732	MAST ONLY	1	
12	322.42040	MAST LOCKING KNOB	1	
13	EM-2468	MAST LOCKING SPINDLE	1	
14	240-012	CROSSMEMBER (FROM 75739 TO 84581)	1	
15	808003.10034	CROSSMEMBER (FROM 84582)	Kit	
16	MA-2248	LEG ONLY	1	
17	808003.10029	LEG PIVOT PIN COMPLETE	Kit	
18	EM-2419	LEG ADJUSTER PLATE	1	
19	808003.10030	LEG ADJUSTER HANDLE COMPLETE	Kit	
20	SA-3010	LEG ADJUSTING HANDLE ROLLER	1	
21	EM-2679	LEG ADJUSTER LINKAGE	1	
22	323.12040	LEG ADJUSTER HANDLE GRIP	1	
23	211.43350	LEG ADJUSTER HANDLE RETAINING SCREW	1	
24	338.00039	EMS ACTUATOR	1	
25	311.32210	FRONT CASTORS 75mm PLAIN	2	
26	EM-3700	REAR CASTORS 100mm BRAKED	2	
27	808003.10031	CASTOR FIXINGS	Kit	
28	808003.10013	SLING RETAINER ASSEMBLY	Kit	
29	EM-3629	HANDCONTROL	1	
30	215-032	EMERGENCY DOWN SWITCH (PUSH - TO EM84581)	1	
31	333.00020	EMERGENCY DOWN SWITCH (ROCKER - FROM EM84582)	1	
32	13566	EXTENDED HANDCONTROL SOCKET	1	
33	332.00027	ACTUATOR SOCKET	1	
34	187.10000	CHARGING SOCKET (4 PIN XLR)	1	
35	337.00045	BATTERY 12 VDC 7 AHR	1	
36	332.00035	CONTROL PCB EDGE CONNECTOR	1	
37	808003.10018	FUSEHOLDER COMPLETE	Kit	
38	335.00020	FUSE 25 A	10	
39	EM-2608	CROSSMEMBER COVER (MKII)	1	
40	808003.10032	CROSSMEMBER COVER FIXINGS	Kit	
41	336.00021	CONTROL PCB - CLARKES	1	
42	808003.10017	EMERGENCY STOP SWITCH COMPLETE	Kit	

# OXFORD MAXI 160 MARK II



This illustration and accompanying text set out in this Document is the Property of SUNRISE MEDICAL LTD. and must not be copied or used for manufacturing, tendering or any other purpose without their permission.



SPDWG22

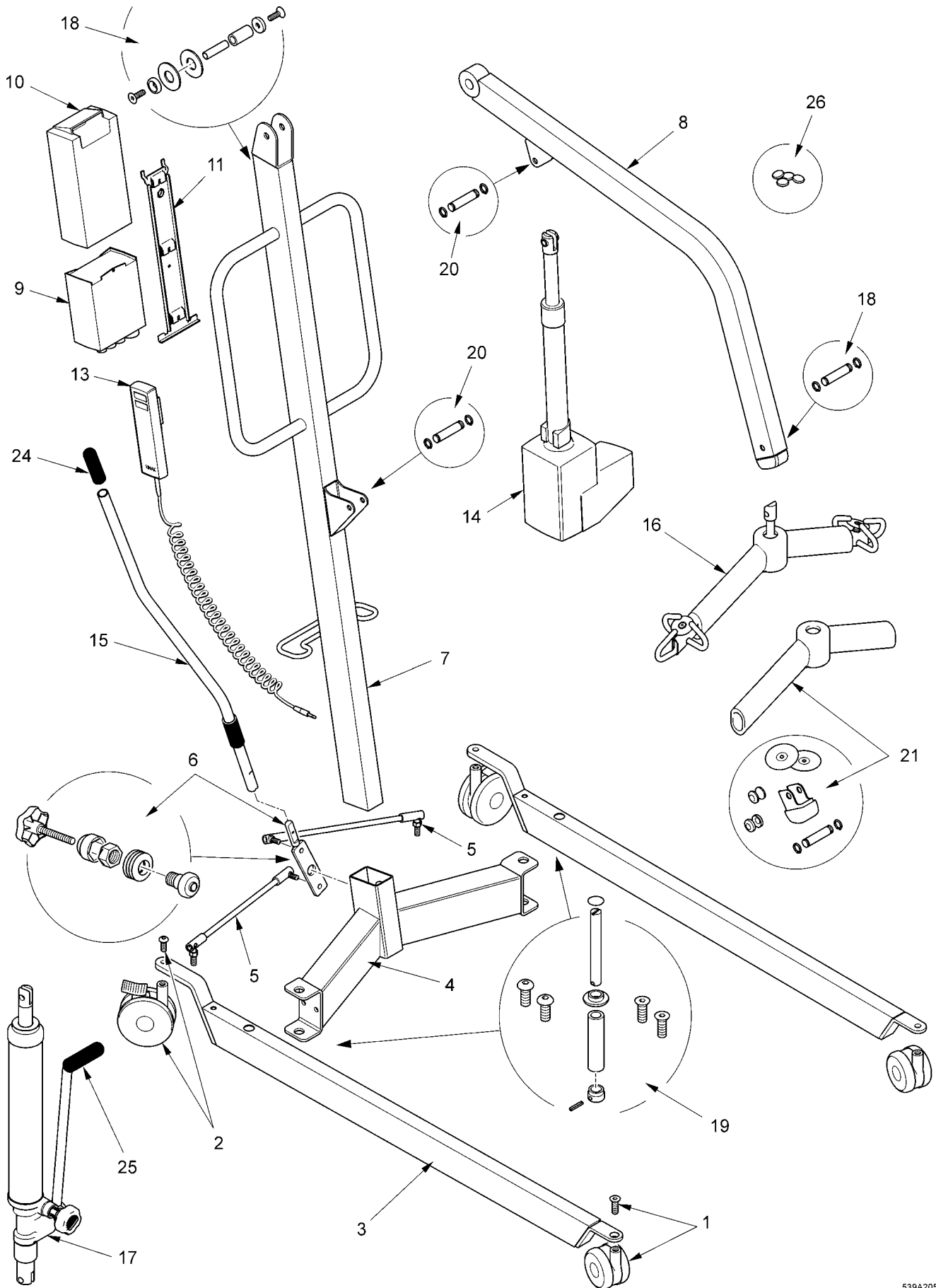
# OXFORD MAXI 160 MARK II

ITEM NO.	PART NO.	DESCRIPTION	QTY	SERIAL NO.
<b>SERIAL NUMBERS FROM 15500 TO DATE</b>				
1	808003.10021	SPREADER BAR (WHITE) COMPLETE	Kit	
2	EM-2993	SPREADER BAR COVER (BLACK)	1	
3	EM-2729	BOOM END CAP	1	
4	808003.10039	SPREADER BAR FULCRUM PIN COMPLETE	Kit	
5	808003.10026	BOOM/MAST FULCRUM PIN COMPLETE	Kit	
6	808003.10040	RAM/BOOM FULCRUM PIN COMPLETE	Kit	
7	808003.10041	RAM/MAST FULCRUM PIN COMPLETE	Kit	
8	EM-3697	BOOM ONLY	1	
9	EM-2644	BOOM BEARING	1	
10	EM-2544	BOOM BLACK PLASTIC WASHER	1	
11	MA-3740	MAST ONLY	1	
12	324.02026	MAST LOCKING KNOB	1	
13	808003.10042	CROSSMEMBER ASSEMBLY	Kit	
14	MA-2248	LEG ONLY	1	
15	808003.10029	LEG PIVOT PIN COMPLETE	Kit	
16	808003.10009	LEG ADJUSTER PLATE	1	
17	808003.10010	LEG ADJUSTER SPRING ASSEMBLY	1	
18	808003.10036	LEG ADJUSTER HANDLE COMPLETE	Kit	
19	808003.10012	LEG ADJUSTING HANDLE ROLLER AND FITTINGS	1	
20	EM-2679	LEG ADJUSTER LINKAGE	1	
21	323.12040	LEG ADJUSTER HANDLE GRIP	1	
22	211.43350	LEG ADJUSTER HANDLE RETAINING SCREW	1	
23	EL-4017	LA34 ACTUATOR - LINAK	1	
24	311.32210	FRONT CASTORS 75mm PLAIN	2	
25	EM-3700	REAR CASTORS 100mm BRAKED	2	
26	808003.10031	CASTOR FIXINGS	Kit	
27	808003.10013	SLING RETAINER ASSEMBLY	Kit	
28	EM-3629	HANDCONTROL	1	
29	000184.4005	HANDCONTROL PLUG	1	
30	EL-3711	HANDCONTROL SOCKET (3 PIN AXL)	1	
31	332.00027	ACTUATOR SOCKET	1	
32	187.10000	CHARGING SOCKET (4 PIN XLR)	1	
33	337.00045	BATTERY 12 VDC 7 AHR	1	
34	332.00035	CONTROL PCB EDGE CONNECTOR	1	
35	808003.10018	FUSEHOLDER COMPLETE	Kit	
36	335.00020	FUSE 25 A	10	
37	EM-3343	CROSSMEMBER COVER (MKIII)	1	
38	808003.10038	CROSSMEMBER COVER FIXINGS	Kit	
39	200001.10250	CONTROL PCB - CLARKES - SET FOR MAJOR	1	
40	808003.10017	EMERGENCY STOP SWITCH COMPLETE	Kit	

# OXFORD MAXI 190KG



This illustration and accompanying text set out in this Document is the Property of SUNRISE MEDICAL LTD. and must not be copied or used for manufacturing, tendering or any other purpose without their permission.



539A205

# OXFORD MAXI 190KG

ITEM NO.	PART NO.	DESCRIPTION	QTY	SERIAL NO.
1	091388.10000	CASTER KIT:75mm NYLON CASTER, M8 CSK SCREW	1	
2	091388.10001	REAR CASTER KIT: 100mm NYLON BRAKED CASTER M10 BUTTON HEAD BOLT	1	
3	211001.10005	LEG FABRICATION: SUITABLE FOR LEFT AND RIGHT CONFIG (DOES NOT INC CATERS)	1	
4	211001.10009	CROSS MEMBER ASSEMBLY, INCLUDING NUTSERT	1	
5	EM-2679	LINK RODS (LEFT & RIGHT SIDE) INCLUDING WASHERS	1	
6	232388.10000	PIVOT PLATE ASSEMBLY: BELVILLE WASHERS, CIRCLIP, CAP, AND LOCKING KNOB	1	
7	211001.10008	MAST COMPLETE	1	
8	211709.10002	BOOM COMPLETE	1	
9	172001.10005	LINAK CONTROLLER	1	
10	000172.10000	LINAK BATTERY	1	
11	560000.10000	LINAK BATTERY AND CONTROLLER BRACKET AND FIXINGS	1	
12	TBA	LINAK BATTERY CHARGER AND DESK TOP UNIT	1	
13	293001.10000	LINAK HAND CONTROL	1	
14	182001.10002	LINAK ACTUATOR (300mm STROKE)	1	
15	232388.10007	LEG ADJUSTER HANDLE	1	
16	EM-3815	SPREADER BAR ASSEMBLY	1	
17	HY-4089	HYDRAULIC PUMP	NA	
<b>KITS AND FIXINGS COMPLETE</b>				
18	232388.10005	MAST & BOOM FIXING KIT: X2 NYLON WASHERS, X1 NYLON PIVOT TUBE, X1 STEEL PIVOT PIN, X2 WASHERS, X2 M8 CSK BOLT	1	
19	TBA	CROSS MEMBER & LEG FIXING KIT: X2 M10 CASTER BOLTS CSK, X2 M10 BUTTON HEAD CASTER BOLTS, X2 LEG PIVOT PINS LONG (MAJOR/MAXI), X2 LEG PIVOT PINS SHORT (MINI, MIDI, STOWAWAY)	1	
20	232388.10004	ACTUATOR FULCRUM FIXING KIT: X2 FIXING PINS, X4 CIRCLIP	1	
21	TBA	SPREADER BAR SERVICE KIT: X1 PADDING, X2 FULCRUM PIN CAPS, X1 BOOM END CAP, 2X CAP WASHERS, X2 CIRCLIPS X1 FULCRUM PINS, X2 SLING RETAINING PLATES COMPLETE	1	
22	N/A	LEG ADJUSTER SERVICE TOOL:	1	
23	000412.10008	DECAL SET:	1	
<b>COMMONLY REQUIRED ITEMS</b>				
24	560662	HANDLE GRIP: LEG ADJUSTER HANDLE	15	
25	323-12050	HANDLE GRIP: HYDRAULIC PUMP HANDLE	15	
26	371-10054	CIRCLIP CAPS	20	



This page is intentionally blank

# CHAPTER 7 : OXFORD MAXILIFT 255

---



Sunrise Medical is ISO 9001 certified, which ensures quality at all stages of the development and production of this hoist.

## Contents

MODEL	SERIAL NO. RANGE	PAGE
OXFORD MAXILIFT 255	FROM MA 78529 TO DATE	7.3

## IMPORTANT

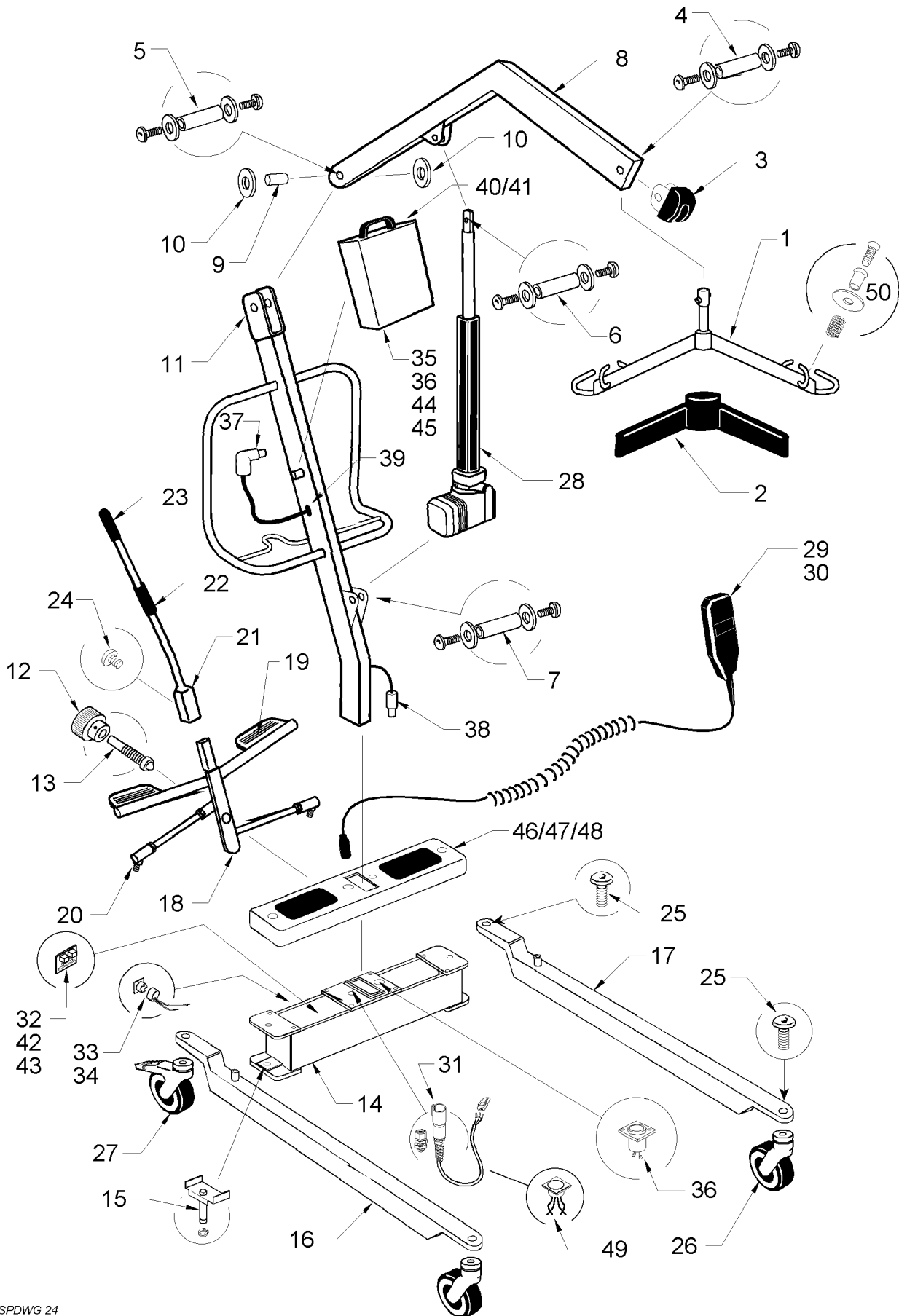
IT IS POTENTIALLY HAZARDOUS TO FIT OR USE ANY PARTS OTHER THAN GENUINE **SUNRISE MEDICAL PARTS**. THE COMPANY DISCLAIMS ALL LIABILITY FOR THE CONSEQUENCES OF SUCH USE, WHICH IN ADDITION VOIDS THE MACHINE WARRANTY.

THIS HOIST IS FOR THE CARRIAGE OF ONE PERSON AND **MUST NOT** BE USED FOR ANY OTHER PURPOSE.

# OXFORD MAXILIFT 255



This illustration and accompanying text set out in this Document is the Property of SUNRISE MEDICAL LTD. and must not be copied or used for manufacturing, tendering or any other purpose without their permission.



SPDWG 24

# OXFORD MAXILIFT 255

ITEM NO.	PART NO.	DESCRIPTION	QTY	SERIAL NO.
<b>SERIAL NUMBERS FROM MD 78529 TO DATE</b>				
1	808003.10043	SPREADER BAR ASSEMBLY COMPLETE	Kit	
2	EM-2993	SPREADER BAR COVER (BLACK)	1	
3	EM-2729	BOOM END CAP	1	
4	808003.10025	SPREADER BAR FULCRUM PIN COMPLETE	Kit	
5	808003.10044	BOOM/MAST FULCRUM PIN COMPLETE	Kit	
6	808003.10045	RAM/BOOM FULCRUM PIN COMPLETE	Kit	
7	808003.10046	RAM/MAST FULCRUM PIN COMPLETE	Kit	
8	HD-3053	BOOM ONLY	1	
9	EM-2644	BOOM BEARING	1	
10	HD-3223	BOOM WASHER (BLACK)	1	
11	709001.10000	MAST TUBE ASSEMBLY	1	
12	322.42040	MAST LOCKING KNOB	1	
13	EM-2468	MAST LOCKING SPINDLE	1	
14	808003.10050	CROSSMEMBER ASSEMBLY	Kit	
15	808003.10029	LEG PIVOT PIN	Kit	
16	HD-3210	LEG (RIGHT) ONLY	1	
17	HD-3211	LEG (LEFT) ONLY	1	
18	808003.10047	LEG ADJUSTMENT PLATE AND FOOT PEDAL	Kit	
19	HD-3362	FOOT PAD	2	
20	363.10010	LEG ADJUSTMENT LINKAGE	1	
21	808003.10048	LEG ADJUSTMENT HANDLE COMPLETE	Kit	
22	808003.10012	LEG ADJUSTMENT HANDLE ROLLER AND FIXINGS	Kit	
23	323.12040	LEG ADJUSTMENT HANDLE GRIP	1	
24	211.43350	LEG ADJUSTMENT HANDLE RETAINING SCREW	1	
25	808003.10049	CASTOR FIXING	Kit	
26	311.51140	FRONT CASTOR - SINGLE 125mm PLAIN	1	
27	311.52150	REAR CASTOR - SINGLE 125mm BRAKED	1	
28	338.00042	EMS ACTUATOR (400mm STROKE)	1	
29	14042	HANDCONTROL (8 PIN DIN PLUG)	1	
30	EM-3629	HANDCONTROL (3 PIN AXL PLUG)	1	
31	13566	HAND CONTROL SOCKET (8 PIN DIN)	1	
32	200001.10558	CONTROL PCB - CLARKES	1	
33	215-032	EMERGENCY DESCENT SWITCH (PUSH BUTTON)	1	
34	333.00020	EMERGENCY DESCENT SWITCH (ROCKER)	1	
35	808003.10017	EMERGENCY STOP SWITCH COMPLETE	Kit	
36	332.00085	POWER/CHARGER SOCKET (4 PIN CLIFF)	1	
37	332.00090	POWER PLUG (4 PIN CLIFF - ANGLED)	1	
38	332.00095	POWER PLUG (4 PIN CLIFF - STRAIGHT)	1	
39	331.00009	POWER CABLE GLAND	1	
40	TS-2923	POWER PACK COMPLETE (WHITE)	1	
41	337.00050	BATTERY 12VDC 3.2AHR	1	
42	336.00023	CONTROL PCB PLASTIC STANDOFF	2	
43	336.00016	CONTROL PCB EDGE CONNECTOR	1	
44	808003.10018	FUSEHOLDER COMPLETE	Kit	
45	335.00020	FUSE 25A	10	
46	EM-3488	CROSSMEMBER COVER (8 PIN DIN HANDCONTROL)	1	
47	HD-3224	CROSSMEMBER COVER (3 PIN AXL HANDCONTROL)	1	
48	808003.10038	CROSSMEMBER COVER FIXINGS	Kit	
49	EL-3711	HANDCONTROL SOCKET (3 PIN AXL)	1	
50	808003.10013	SLING RETAINER ASSEMBLY	Kit	

This page is intentionally blank

# CHAPTER 8 : OXFORD MAJOR

---



Sunrise Medical is ISO 9001 certified, which ensures quality at all stages of the development and production of this hoist.

## Contents

MODEL	SERIAL NO. RANGE	PAGE
OXFORD MAJOR HYDRAULIC (OLD TYPE)	TO OM 52278	8.3
OXFORD MAJOR HYDRAULIC	OM 52279 TO OM 72795	8.5
OXFORD MAJOR HYDRAULIC MK II	EMH 72796 TO EMH 75452	8.7
OXFORD MAJOR HYDRAULIC MK II	EMH 75453 TO EMH 16889	8.9
OXFORD MAJOR HYDRAULIC MK II	OP16890 TO TO DATE	8.11
OXFORD MAJOR ELECTRIC	OME 53155 TO OME 65752	8.13
OXFORD MAJOR ELECTRIC	OME 65753 TO OME 70544	8.15
OXFORD MAJOR ELECTRIC MK II	EM 70545 TO EM 75738	8.17
OXFORD MAJOR ELECTRIC MK II	EM 75739 TO EM 83165	8.19
OXFORD MAJOR ELECTRIC MK II	EM 83166 TO EM 15500	8.21
OXFORD MAJOR ELECTRIC MK III	EM 15500 TO DATE	8.23
OXFORD MAJOR 190KG		8.25

## IMPORTANT

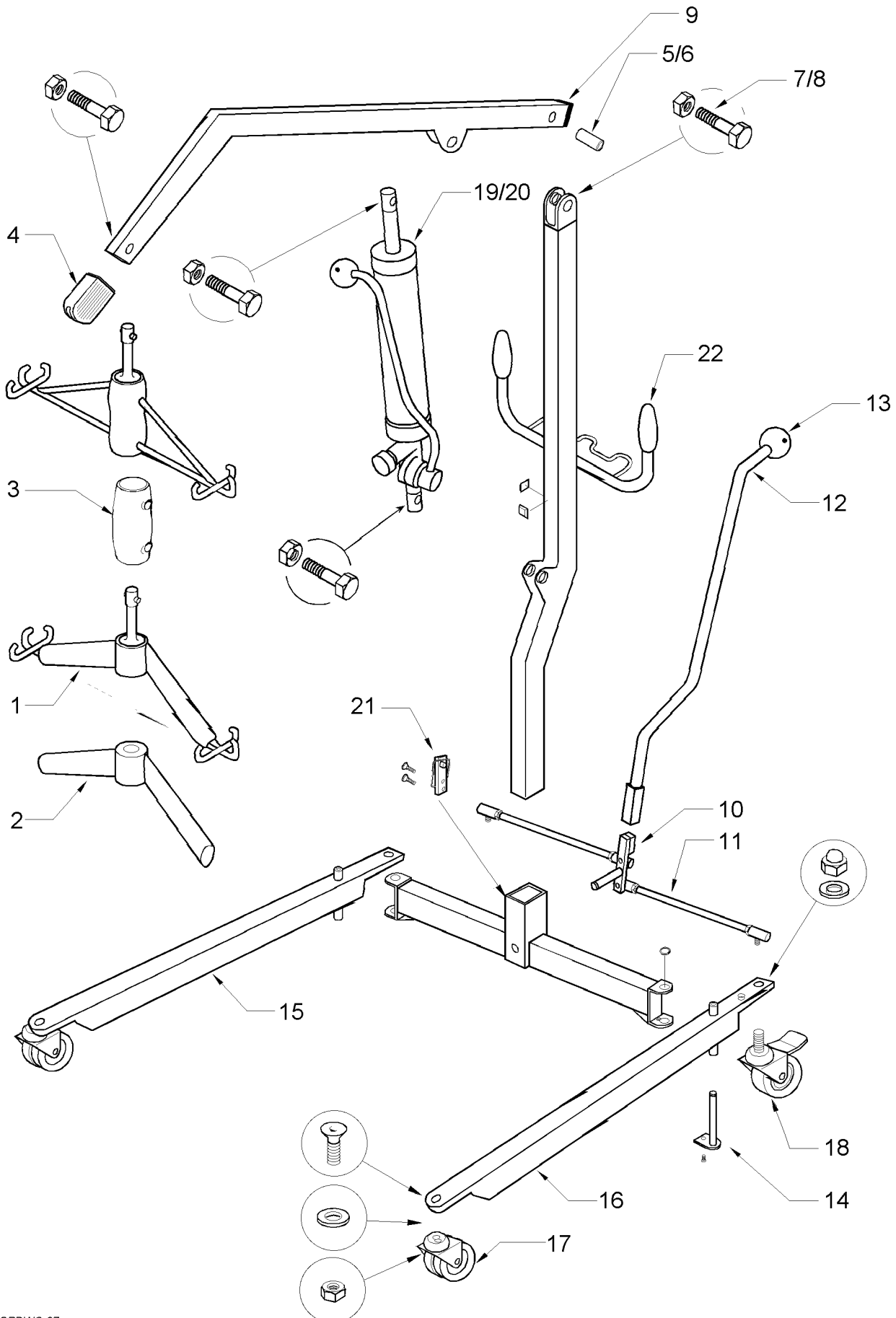
IT IS POTENTIALLY HAZARDOUS TO FIT OR USE ANY PARTS OTHER THAN GENUINE **SUNRISE MEDICAL PARTS**. THE COMPANY DISCLAIMS ALL LIABILITY FOR THE CONSEQUENCES OF SUCH USE, WHICH IN ADDITION VOIDS THE MACHINE WARRANTY.

THIS HOIST IS FOR THE CARRIAGE OF ONE PERSON AND **MUST NOT** BE USED FOR ANY OTHER PURPOSE.

# OXFORD MAJOR HYDRAULIC (OLD TYPE)



This illustration and accompanying text set out in this Document is the Property of SUNRISE MEDICAL LTD. and must not be copied or used for manufacturing, tendering or any other purpose without their permission.



SPDWG 37

# OXFORD MAJOR HYDRAULIC (OLD TYPE)

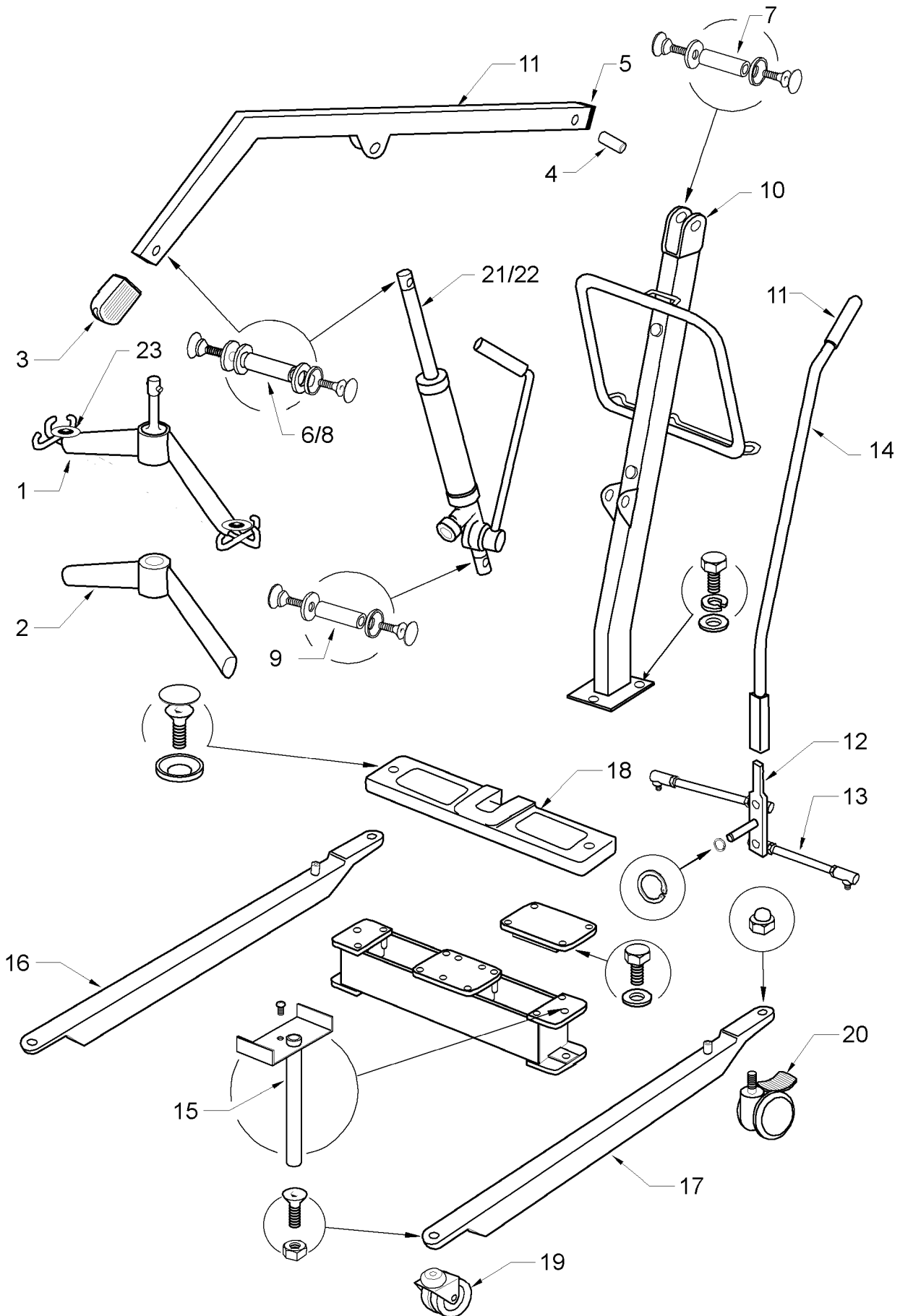
ITEM NO.	PART NO.	DESCRIPTION	QTY	SERIAL NO.
1	808003.10021	SPREADER BAR COMPLETE	Kit	
2	EM-2993	SPREADER BAR COVER	1	
3	12502	SPREADER BAR PADDING (OLD CHROME SPREADER)	1	
4	14003	BOOM END PADDING	1	
5	10006	BOOM BEARING (1/2")	1	
6	14006	BOOM BEARING (12mm)	1	
7	17507	BOOM/MAST NUT & BOLT (1/2")	1	
8	17508	BOOM/MAST NUT & BOLT (12mm)	1	
9	14009	BOOM END CAP	1	
10	17513	LEG ADJUSTER LEVER	1	
11	17514	LEG ADJUSTER LINKAGE	1	
12	17515	LEG ADJUSTER HANDLE	1	
13	10016	RED PLASTIC KNOB	1	
14	17518	LEG PIN ASSEMBLY	1	
15	17520	RIGHT LEG ONLY	1	
16	17523	LEFT LEG ONLY	1	
17	311.32210	FRONT CASTOR 75mm PLAIN TWIN	1	
18	10035	REAR BRAKED CASTOR - 75mm TWIN	1	
19	17530	MAJOR HYDRAULIC MARK I - NEW	1	
20	17531	MAJOR HYDRAULIC UNIT MARK I - SERVICE EXCHANGE	1	
21	10017	MAST BOX SAFETY CLIP	1	
22	323.11010	WHITE HANDGRIP	1	



# OXFORD MAJOR HYDRAULIC MARK I



This illustration and accompanying text set out in this Document is the Property of SUNRISE MEDICAL LTD. and must not be copied or used for manufacturing, tendering or any other purpose without their permission.



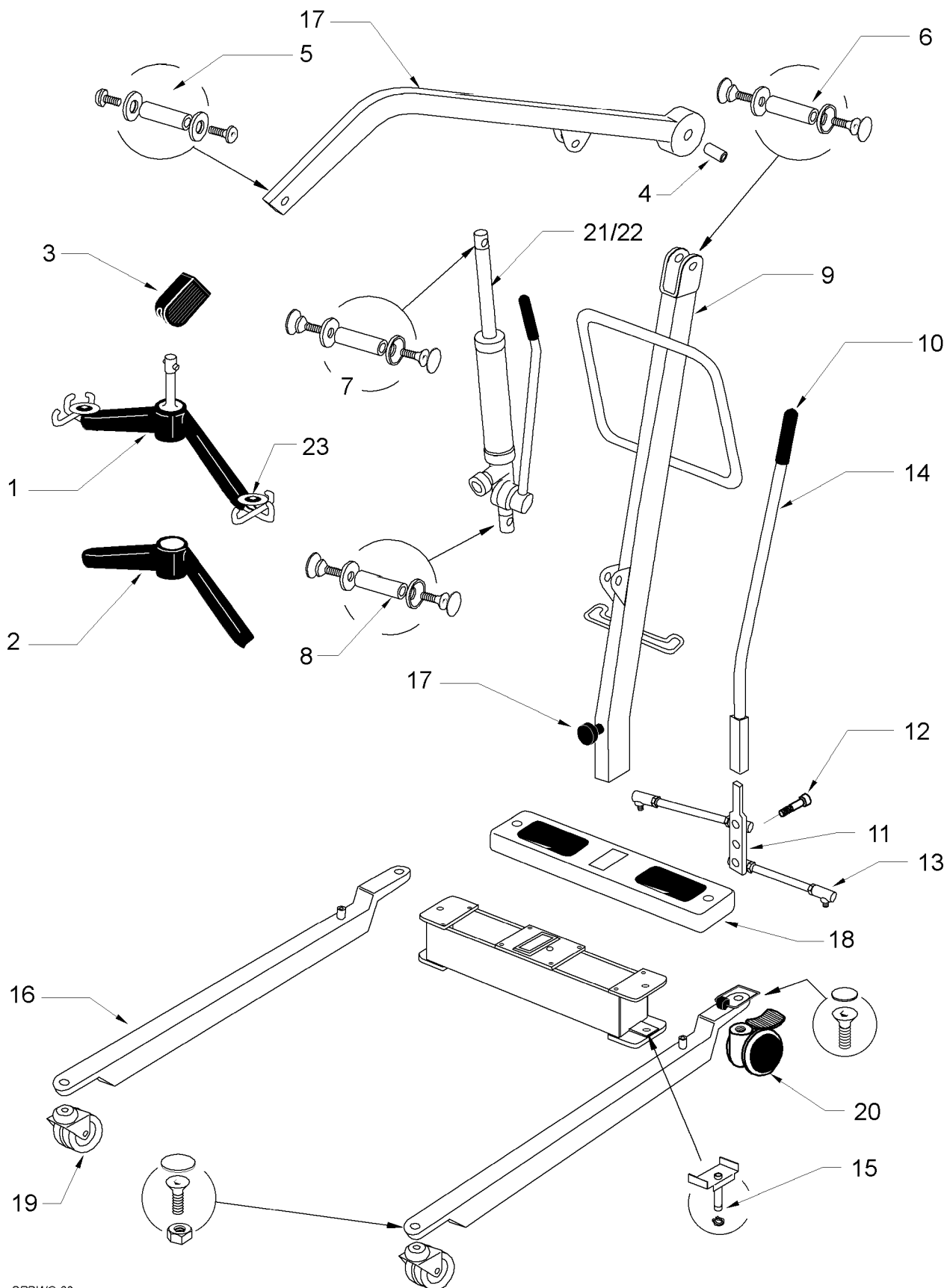
SPDWG 38

# OXFORD MAJOR HYDRAULIC MARK I

ITEM NO.	PART NO.	DESCRIPTION	QTY	SERIAL NO.
<b>SERIAL NUMBERS OM52279 TO OM72795</b>				
1	808003.10021	SPREADER BAR COMPLETE	Kit	
2	EM-2993	SPREADER BAR COVER	1	
3	14003	BOOM END PADDING	1	
4	14006	BOOM BEARING (12mm)	1	
5	14009	BOOM END CAP	1	
6	808003.10025	SPREADER BAR FULCRUM PIN	Kit	
7	808003.10026	BOOM/MAST FULCRUM PIN	Kit	
8	808003.10027	RAM/BOOM FULCRUM PIN	Kit	
9	808003.10028	RAM/MAST FULCRUM PIN	Kit	
10	17577	MAST ONLY	1	
11	323.12040	HAND GRIP	1	
12	17579	LEG ADJUSTER LEVER	1	
13	17580	LEG ADJUSTER LINKAGE	1	
14	17581	LEG ADJUSTER HANDLE	1	
15	17582	LEG PIN ASSEMBLY	1	
16	17583	RIGHT LEG ONLY	1	
17	17584	LEFT LEG ONLY	1	
18	17585	CROSSMEMBER PLASTIC COVER	1	
19	311.32210	FRONT CASTOR 75mm PLAIN TWIN	1	
20	13526	REAR BRAKED CASTOR - 100mm TWIN	1	
21	17530	MAJOR HYDRAULIC MARK I - NEW	1	
22	17531	MAJOR HYDRAULIC UNIT MARK I - SERVICE EXCHANGE	1	
23	808003.10013	SLING RETAINER ASSEMBLY	Kit	

# OXFORD MAJOR HYDRAULIC MARK II

This illustration and accompanying text set out in this Document is the Property of SUNRISE MEDICAL LTD. and must not be copied or used for manufacturing, tendering or any other purpose without their permission.



SPDWG 39

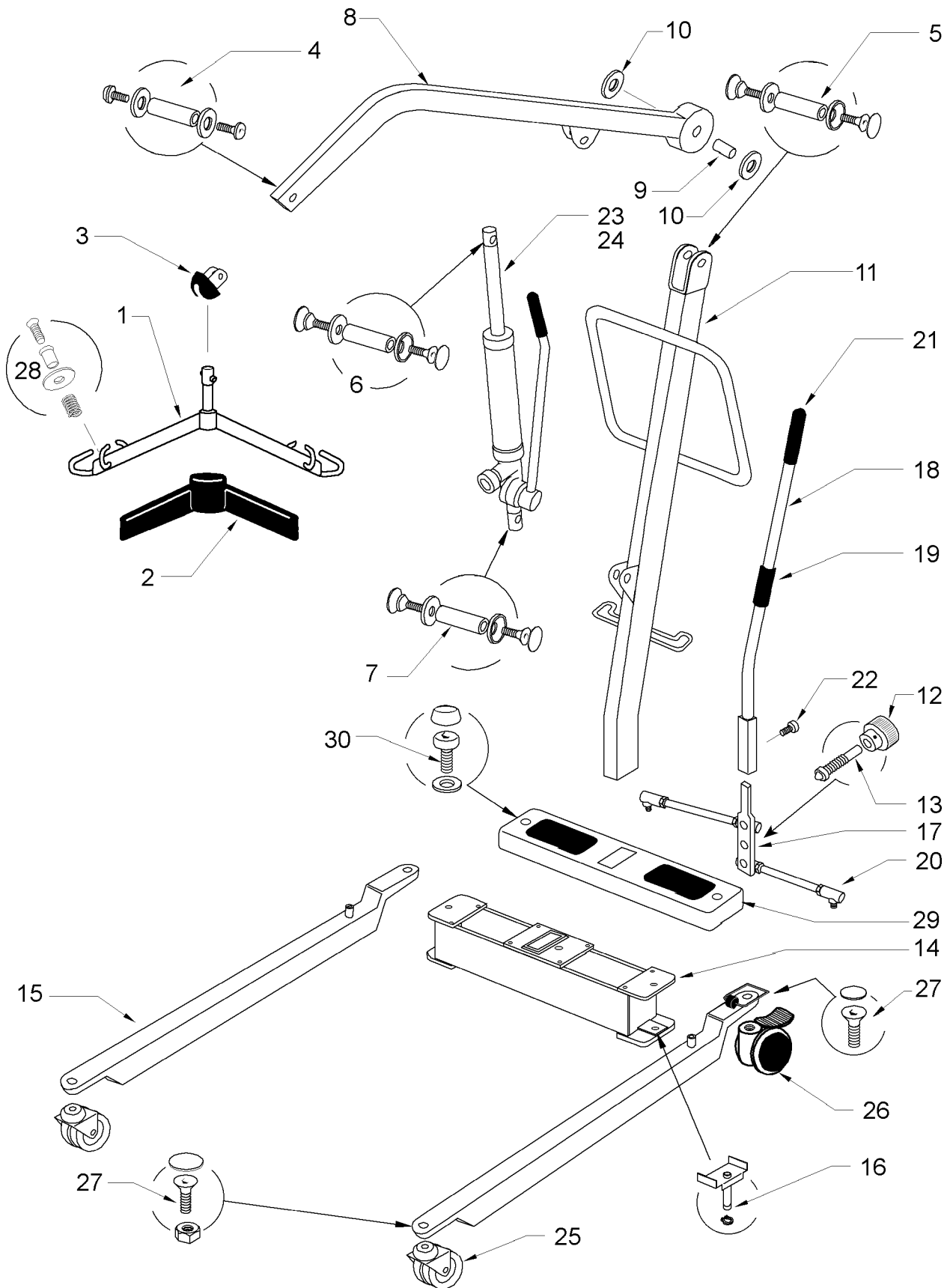
# OXFORD MAJOR HYDRAULIC MARK II

ITEM NO.	PART NO.	DESCRIPTION	QTY	SERIAL NO.
<b>SERIAL NUMBERS EMH72796 TO EMH75452</b>				
1	808003.10021	SPREADER BAR COMPLETE	Kit	
2	EM-2993	SPREADER BAR COVER	1	
3	14003	BOOM END PADDING	1	
4	17601	BOOM BEARING (12mm)	1	
5	808003.10025	SPREADER BAR FULCRUM PIN	Kit	
6	808003.10026	BOOM/MAST FULCRUM PIN	Kit	
7	808003.10027	RAM/BOOM FULCRUM PIN	Kit	
8	808003.10028	RAM/MAST FULCRUM PIN	Kit	
9	17577	MAST ONLY	1	
10	323.12040	HAND GRIP	1	
11	17073	LEG ADJUSTER LEVER	1	
12	17609	LEG ADJUSTER SHOULDER SCREW	1	
13	17580	LEG ADJUSTER LINKAGE	1	
14	17581	LEG ADJUSTER HANDLE	1	
15	17582	LEG PIN ASSEMBLY	1	
16	17606	LEG ONLY	1	
17	17605	MAST LOCKING KNOB	1	
18	17608	CROSSMEMBER PLASTIC COVER	1	
19	311.32210	FRONT CASTOR 75mm PLAIN TWIN	1	
20	13526	REAR BRAKED CASTOR - 100mm TWIN	1	
21	17630	MAJOR HYDRAULIC MARK II - NEW	1	
22	17631	MAJOR HYDRAULIC UNIT MARK II - SERVICE EXCHANGE	1	
23	808003.10013	SLING RETAINER ASSEMBLY	Kit	

# OXFORD MAJOR HYDRAULIC MARK III



This illustration and accompanying text set out in this Document is the Property of SUNRISE MEDICAL LTD. and must not be copied or used for manufacturing, tendering or any other purpose without their permission.



SPDWG19

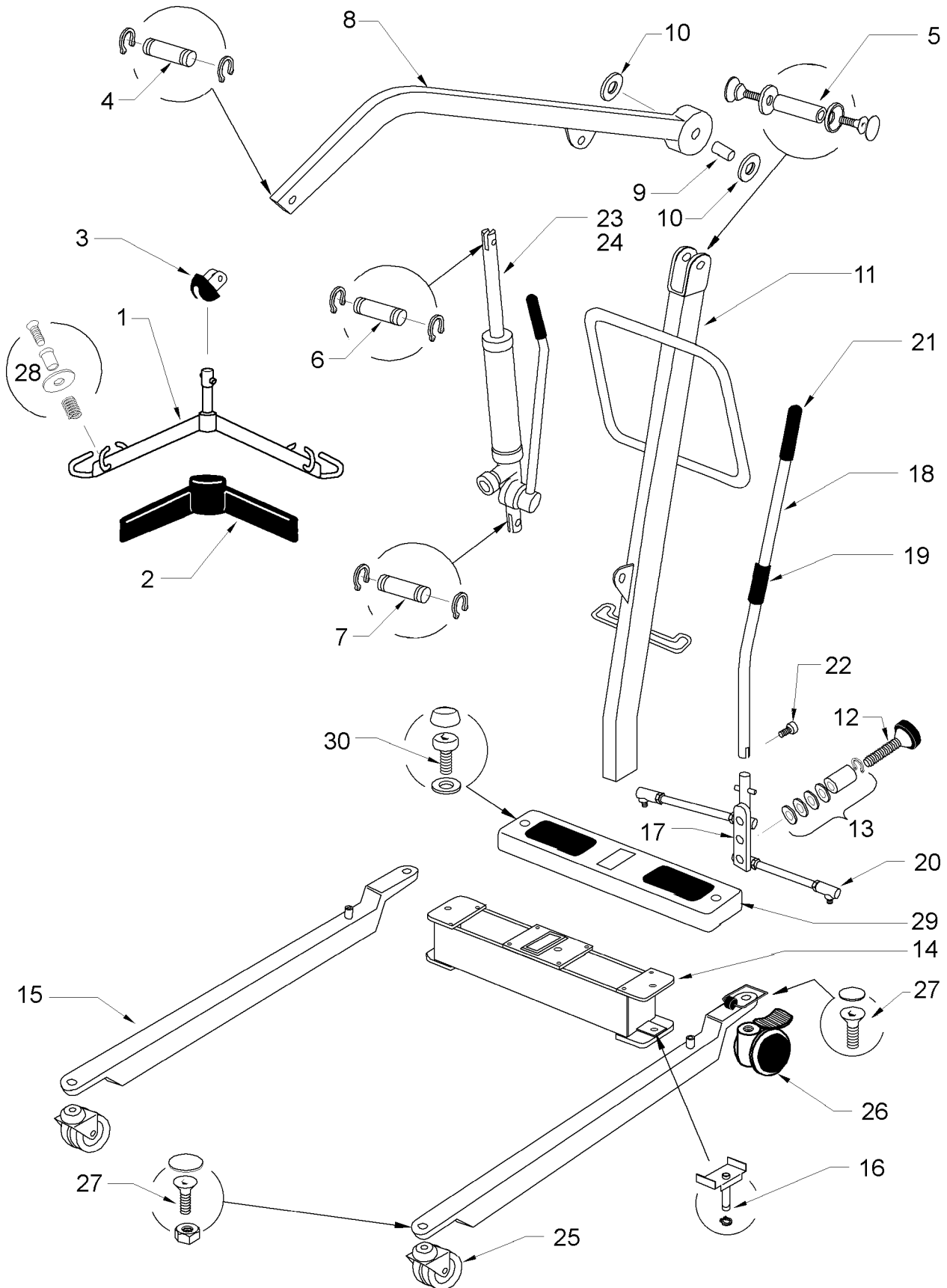
# OXFORD MAJOR HYDRAULIC MARK III

ITEM NO.	PART NO.	DESCRIPTION	QTY	SERIAL NO.
<b>SERIAL NUMBERS FROM EMH 75453 TO EMH 16889</b>				
1	808003.10021	SPREADER BAR (WHITE) COMPLETE	Kit	
2	EM-2993	SPREADER BAR COVER (BLACK)	1	
3	EM-2729	BOOM END CAP	1	
4	808003.10025	SPREADER BAR FULCRUM PIN COMPLETE	Kit	
5	808003.10026	BOOM/MAST FULCRUM PIN COMPLETE	Kit	
6	808003.10027	RAM/BOOM FULCRUM PIN COMPLETE	Kit	
7	808003.10028	RAM/MAST FULCRUM PIN COMPLETE	Kit	
8	EM-3527	BOOM ONLY	1	
9	EM-2644	BOOM BEARING	1	
10	EM-2544	BOOM BLACK PLASTIC WASHER	2	
11	EM-3490	MAST ONLY	1	
12	322.42040	MAST LOCKING KNOB	1	
13	EM-2468	MAST LOCKING SPINDLE	1	
14	808003.10034	CROSSMEMBER ASSEMBLY	Kit	
15	MA-2248	LEG ONLY	1	
16	808003.10029	LEG PIVOT PIN COMPLETE	Kit	
17	EM-2419	LEG ADJUSTER PLATE	1	
18	808003.10030	LEG ADJUSTER HANDLE COMPLETE	Kit	
19	SA-3010	LEG ADJUSTER HANDLE ROLLER	1	
20	EM-2679	LEG ADJUSTER LINKAGE	1	
21	323.12040	LEG ADJUSTER HANDLE GRIP	1	
22	211.43350	RETAINING SCREW - LEG ADJUSTER HANDLE	1	
23	HY-3537	MAJOR HYDRAULIC UNIT MKIII	1	
24	808003.10033	MAJOR HYDRAULIC UNIT MKIII SERVICE EXCHANGE	1	
25	311.32210	FRONT CASTORS 75mm PLAIN	2	
26	EM-3700	REAR CASTORS 100mm BRAKED	2	
27	808003.10031	CASTOR FIXINGS	Kit	
28	808003.10013	SLING RETAINER ASSEMBLY	Kit	
29	EM-2553	CROSSMEMBER COVER (MKII)	1	
30	808003.10032	CROSSMEMBER COVER FIXINGS	Kit	

# OXFORD MAJOR HYDRAULIC MARK IV



This illustration and accompanying text set out in this Document is the Property of SUNRISE MEDICAL LTD. and must not be copied or used for manufacturing, tendering or any other purpose without their permission.



SPDWG18

# OXFORD MAJOR HYDRAULIC MARK IV

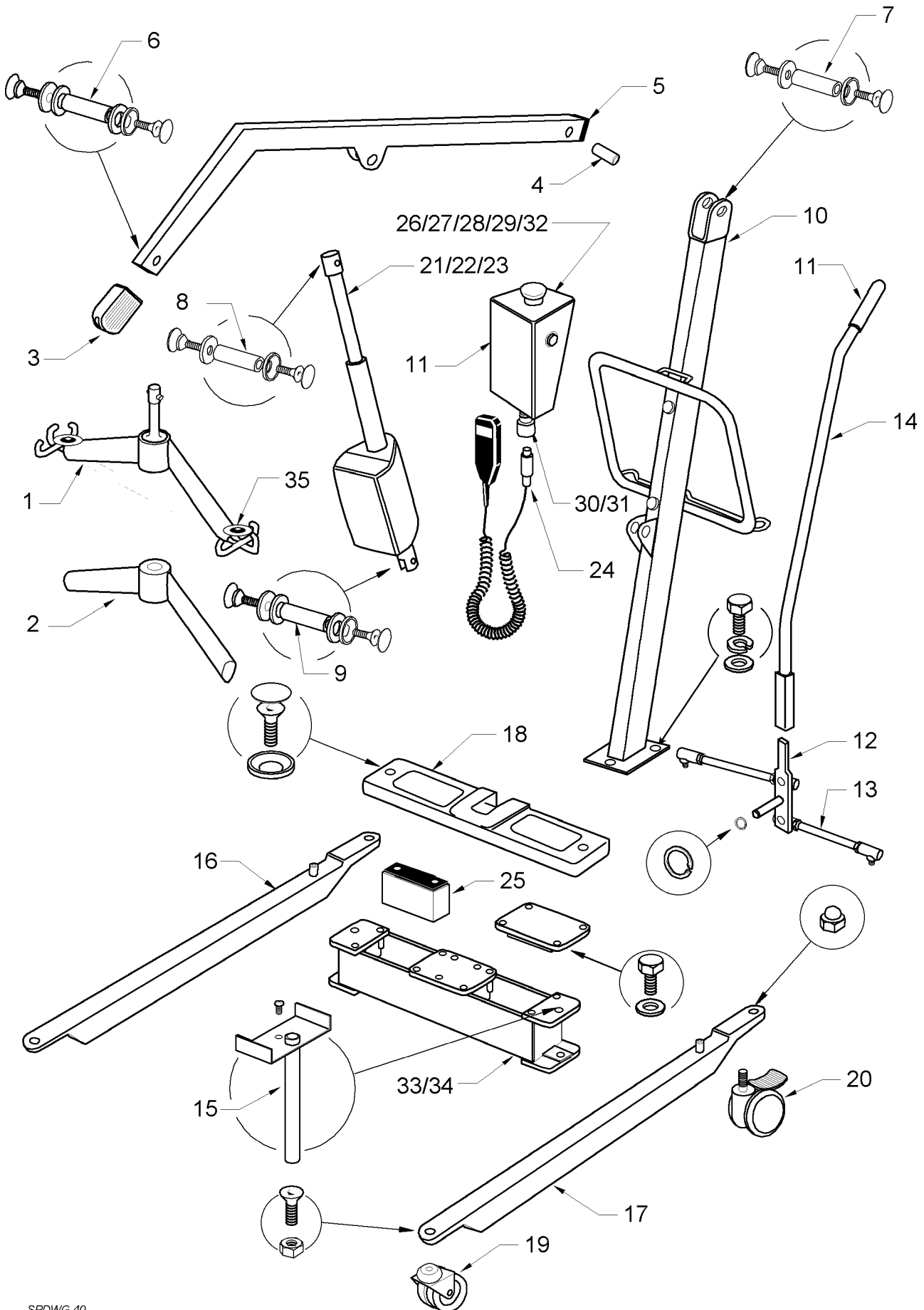
ITEM NO.	PART NO.	DESCRIPTION	QTY	SERIAL NO.
<b>SERIAL NUMBERS FROM OP 16890 TO DATE</b>				
1	808003.10021	SPREADER BAR (WHITE) COMPLETE	Kit	
2	EM-2993	SPREADER BAR COVER (BLACK)	1	
3	EM-2729	BOOM END CAP	1	
4	808003.10039	SPREADER BAR FULCRUM PIN COMPLETE	Kit	
5	808003.10026	BOOM/MAST FULCRUM PIN COMPLETE	Kit	
6	808003.10040	RAM/BOOM FULCRUM PIN COMPLETE	Kit	
7	808003.10041	RAM/MAST FULCRUM PIN COMPLETE	Kit	
8	EM-3697	BOOM ONLY	1	
9	EM-2644	BOOM BEARING	1	
10	EM-2544	BOOM BLACK PLASTIC WASHER	2	
11	EM-3739	MAST ONLY	1	
12	324.02026	MAST LOCKING KNOB	1	
13	808003.10010	LEG ADJUSTER SPRING ASSEMBLY COMPRISING	1	
14	808003.10042	CROSSMEMBER ASSEMBLY	Kit	
15	MA-2248	LEG ONLY	1	
16	808003.10029	LEG PIVOT PIN COMPLETE	Kit	
17	808003.10009	LEG ADJUSTER PLATE	Kit	
18	808003.10036	LEG ADJUSTER HANDLE COMPLETE	Kit	
19	808003.10012	LEG ADJUSTER ROLLER AND FITTINGS	Kit	
20	EM-2679	LEG ADJUSTER LINKAGE	1	
21	323.12040	LEG ADJUSTER HANDLE GRIP	1	
22	211.43350	RETAINING SCREW - LEG ADJUSTER HANDLE	1	
23	HY-4006	MAJOR HYDRAULIC UNIT MKIV	1	
24	808003.10037	MAJOR HYDRAULIC UNIT MKIV SERVICE EXCHANGE	1	
25	311.32210	FRONT CASTORS 75mm PLAIN	2	
26	EM-3700	REAR CASTORS 100mm BRAKED	2	
27	808003.10031	CASTOR FIXINGS	Kit	
28	808003.10013	SLING RETAINER ASSEMBLY	Kit	
29	EM-3488	CROSSMEMBER COVER	1	
30	808003.10038	CROSSMEMBER COVER FIXINGS	Kit	



# OXFORD MAJOR ELECTRIC



This illustration and accompanying text set out in this Document is the Property of SUNRISE MEDICAL LTD. and must not be copied or used for manufacturing, tendering or any other purpose without their permission.



SPDWG 40

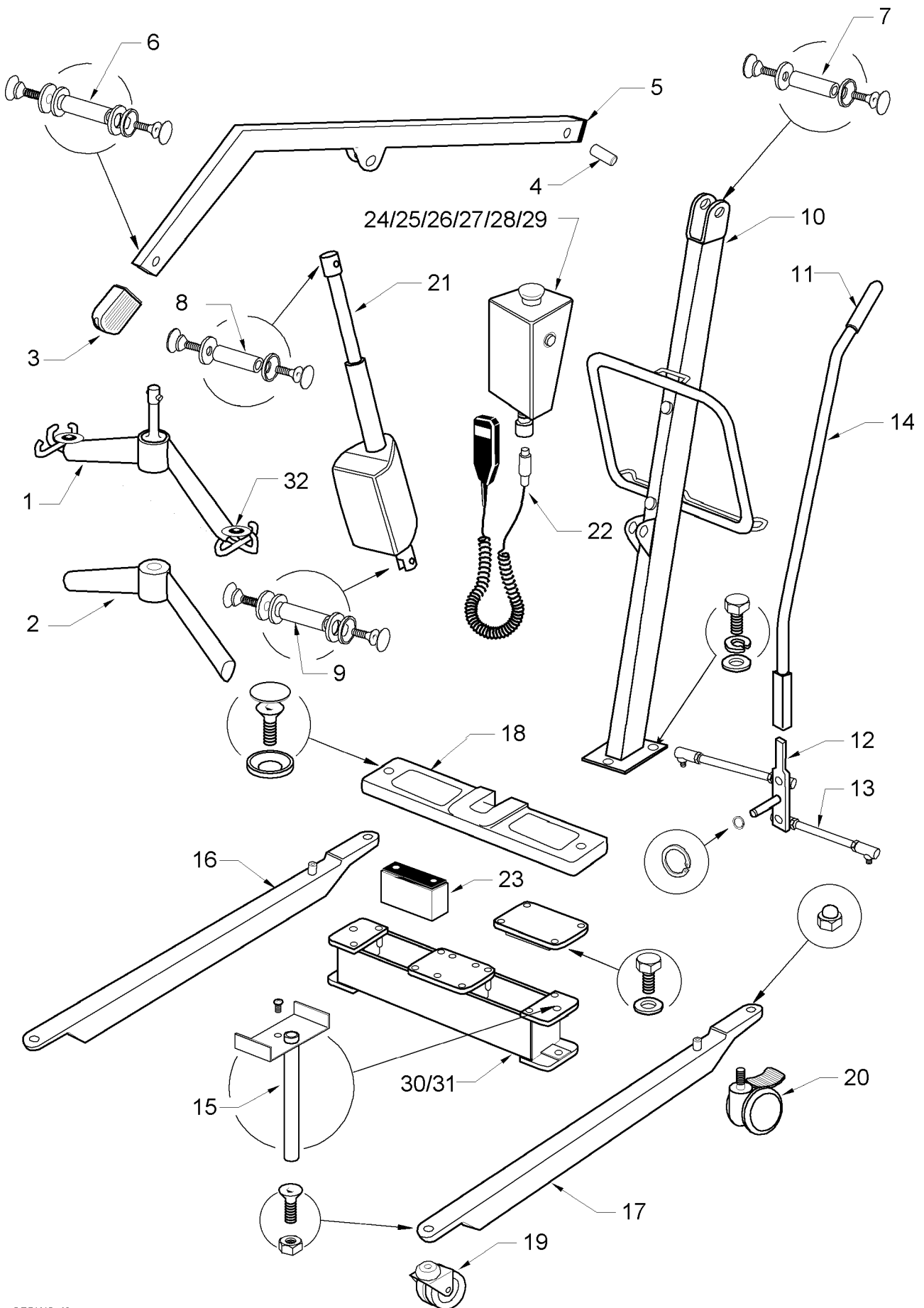
# OXFORD MAJOR ELECTRIC

ITEM NO.	PART NO.	DESCRIPTION	QTY	SERIAL NO.
<b>SERIAL NUMBERS OME53155 TO OME65752</b>				
1	808003.10021	SPREADER BAR COMPLETE	Kit	
2	EM-2993	SPREADER BAR COVER	1	
3	14003	BOOM END PADDING	1	
4	14006	BOOM BEARING (12mm)	1	
5	14009	BOOM END CAP	1	
6	808003.10025	SPREADER BAR FULCRUM PIN	Kit	
7	808003.10026	BOOM/MAST FULCRUM PIN	Kit	
8	808003.10027	RAM/BOOM FULCRUM PIN	Kit	
9	808003.10028	RAM/MAST FULCRUM PIN	Kit	
10	17577	MAST ONLY	1	
11	323.12040	HAND GRIP	1	
12	17579	LEG ADJUSTER LEVER	1	
13	17580	LEG ADJUSTER LINKAGE	1	
14	17581	LEG ADJUSTER HANDLE	1	
15	17582	LEG PIN ASSEMBLY	1	
16	17583	RIGHT LEG ONLY	1	
17	17584	LEFT LEG ONLY	1	
18	17585	CROSSMEMBER PLASTIC COVER	1	
19	311.32210	FRONT CASTOR 75mm PLAIN TWIN	1	
20	13526	REAR BRAKED CASTOR - 100mm TWIN	1	
21	14030	ACTUATOR - LINAK LA38 (TO OME61007)	1	
22	17586	ACTUATOR - LINAK LA32 (FROM OME61007)	1	
23	17591	ACTUATOR REPLACEMENT KIT - SKF (FROM OME61007 ONLY)	1	
24	14042	HANDCONTROL - LINAK 8 PIN	1	
25	14052	BATTERY - 6V 12AHR	1	
26	17640	CONTROL BOX COMPLETE (CLARKES PCB)	1	
27	17542	CONTROL PCB - LINAK CS1600-14-24 (NON-PREFERRED)	1	
28	17543	BLEEPER PCB	1	
29	17544	CONTROL PCB - CLARKES (PREFERRED)	1	
30	13566	HANDCONTROL SOCKET (EXTENDED TYPE)	1	
31	17567	CHARGING SOCKET (JACK PLUG TYPE)	1	
32	14083	JACK PLUG - 3 POLE	1	
33	808003.10018	FUSEHOLDER COMPLETE	Kit	
34	335.00020	FUSE 25A	10	
ND	14062	CHARGER - UK 240V - JACK PLUG	1	
ND	14065	CHARGER - EURO 220V - JACK PLUG	1	
ND	14068	CHARGER - USA 110V - JACK PLUG	1	
35	808003.10013	SLING RETAINER ASSEMBLY	Kit	

# OXFORD MAJOR ELECTRIC



This illustration and accompanying text set out in this document is the Property of SUNRISE MEDICAL LTD. and must not be copied or used for manufacturing, tendering or any other purpose without their permission.



SPDWG 42

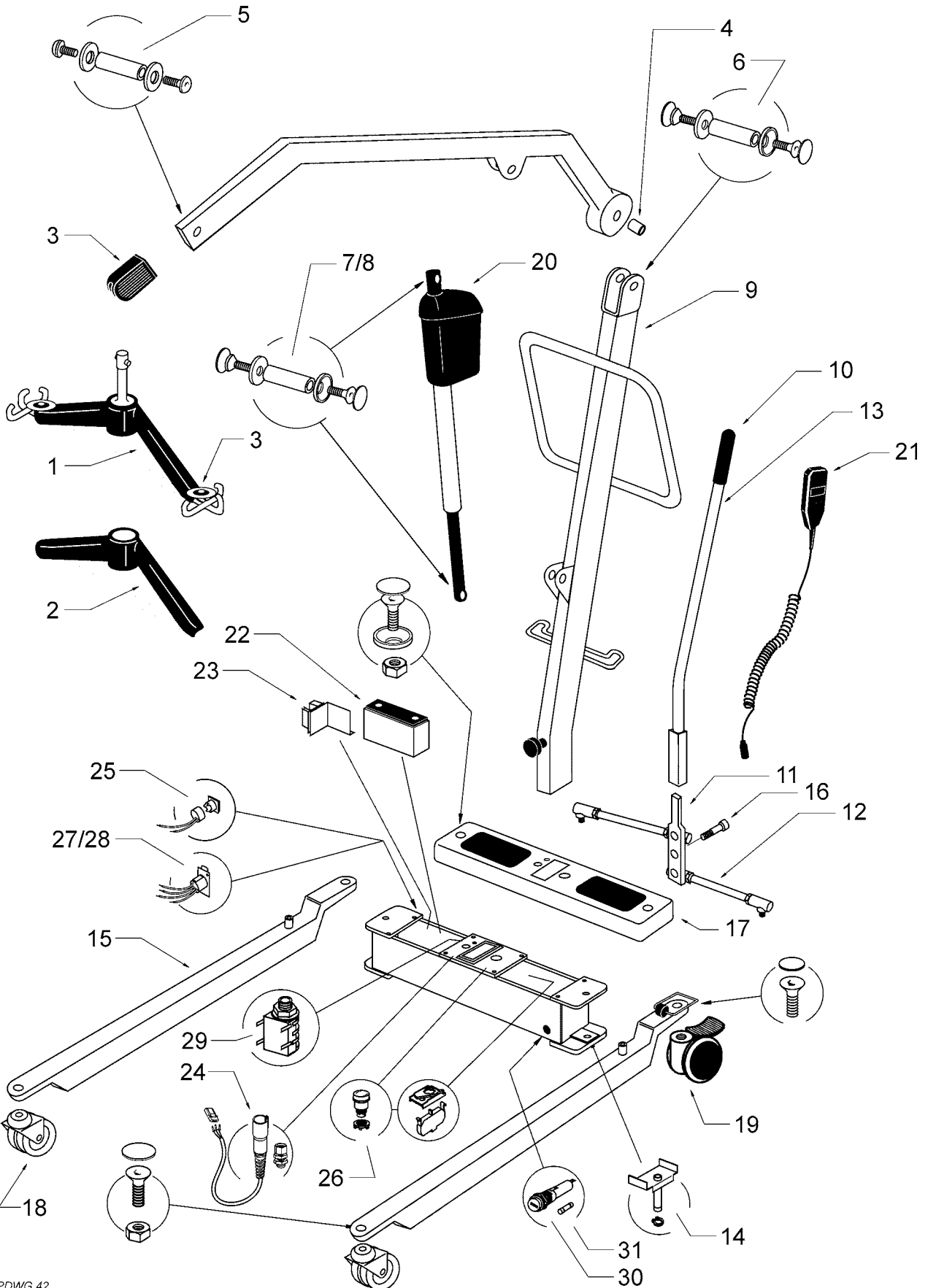
# OXFORD MAJOR ELECTRIC

ITEM NO.	PART NO.	DESCRIPTION	QTY	SERIAL NO.
<b>SERIAL NUMBERS OME65753 TO OME70544</b>				
1	808003.10021	SPREADER BAR COMPLETE	Kit	
2	EM-2993	SPREADER BAR COVER	1	
3	14003	BOOM END PADDING	1	
4	14006	BOOM BEARING (12mm)	1	
5	14009	BOOM END CAP	1	
6	808003.10025	SPREADER BAR FULCRUM PIN	Kit	
7	808003.10026	BOOM/MAST FULCRUM PIN	Kit	
8	808003.10027	RAM/BOOM FULCRUM PIN	Kit	
9	808003.10028	RAM/MAST FULCRUM PIN	Kit	
10	17577	MAST ONLY	1	
11	323.12040	HAND GRIP	1	
12	17579	LEG ADJUSTER LEVER	1	
13	17580	LEG ADJUSTER LINKAGE	1	
14	17581	LEG ADJUSTER HANDLE	1	
15	17582	LEG PIN ASSEMBLY	1	
16	17583	RIGHT LEG ONLY	1	
17	17584	LEFT LEG ONLY	1	
18	17585	CROSSMEMBER PLASTIC COVER	1	
19	311.32210	FRONT CASTOR 75mm PLAIN TWIN	1	
20	13526	REAR BRAKED CASTOR - 100mm TWIN	1	
21	17586	ACTUATOR - LINAK LA32	1	
22	14042	HANDCONTROL - LINAK 8 PIN	1	
23	14052	BATTERY - 6V 12AHR	1	
24	17640	CONTROL BOX COMPLETE (CLARKES PCB)	1	
25	17542	CONTROL PCB - LINAK CS1600-14-24 (NON-PREFERRED)	1	
26	17543	BLEEPER PCB	1	
27	17544	CONTROL PCB - CLARKES (PREFERRED)	1	
28	13566	HANDCONTROL SOCKET (EXTENDED TYPE)	1	
29	187.10000	CHARGING SOCKET (XLR TYPE)	1	
30	808003.10018	FUSEHOLDER COMPLETE	Kit	
31	335.00020	FUSE 25A	10	
ND	14090	CHARGER - UK 240V - XLR PLUG	1	
ND	14091	CHARGER - EURO 220V - XLR PLUG	1	
ND	14092	CHARGER - USA 110V - XLR PLUG	1	
32	808003.10013	SLING RETAINER ASSEMBLY	Kit	

# OXFORD MAJOR ELECTRIC MARK II



This illustration and accompanying text set out in this Document is the Property of SUNRISE MEDICAL LTD. and must not be copied or used for manufacturing, tendering or any other purpose without their permission.



SPDWG 42

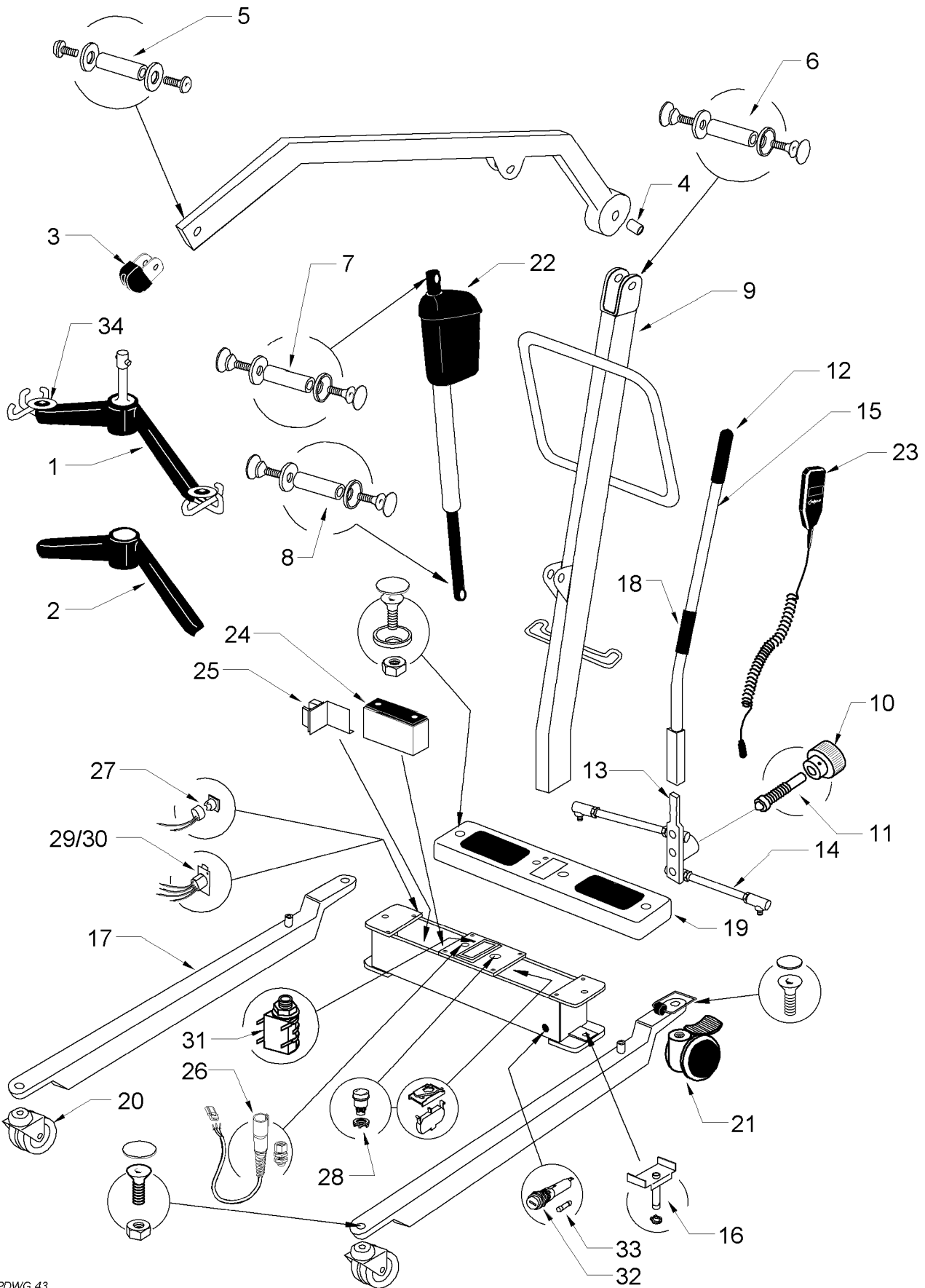
# OXFORD MAJOR ELECTRIC MARK II

ITEM NO.	PART NO.	DESCRIPTION	QTY	SERIAL NO.
<b>SERIAL NUMBERS EM70545 TO EM75738</b>				
1	808003.10021	SPREADER BAR COMPLETE	Kit	
2	EM-2993	SPREADER BAR COVER	1	
3	14003	BOOM END PADDING	1	
4	17601	BOOM BEARING (12mm)	1	
5	808003.10025	SPREADER BAR FULCRUM PIN	Kit	
6	808003.10026	BOOM/MAST FULCRUM PIN	Kit	
7	808003.10027	RAM/BOOM FULCRUM PIN	Kit	
8	808003.10028	RAM/MAST FULCRUM PIN	Kit	
9	17604	MAST ONLY	1	
10	323.12040	HAND GRIP	1	
11	17073	LEG ADJUSTER LEVER	1	
12	17580	LEG ADJUSTER LINKAGE	1	
13	17581	LEG ADJUSTER HANDLE	1	
14	17582	LEG PIN ASSEMBLY	1	
15	17606	LEG ONLY	1	
16	17609	LEG ADJUSTER SHOULDER SCREW	1	
17	17006	CROSSMEMBER PLASTIC COVER	1	
18	311.32210	FRONT CASTOR 75mm PLAIN TWIN	1	
19	13526	REAR BRAKED CASTOR - 100mm TWIN	1	
20	17650	ACTUATOR - SKF 24V	1	
21	14042	HANDCONTROL - LINAK 8 PIN	1	
22	337-00045	BATTERY - 12V 7AHR	1	
23	17544	CONTROL PCB - CLARKES	1	
24	13566	HANDCONTROL SOCKET (EXTENDED TYPE)	1	
25	215-032	DESCENT BUTTON (PUSH BUTTON)	1	
26	808003.10017	EMERGENCY STOP BUTTON	1	
27	187.10000	XLR CHARGING SOCKET	1	
28	14093	XLR PLUG - 4 PIN	1	
29	332.00027	ACTUATOR SOCKET	1	
30	808003.10018	FUSEHOLDER COMPLETE	Kit	
31	335.00020	FUSE 25A	10	
ND	14090	CHARGER - UK 240V - XLR PLUG	1	
ND	14091	CHARGER - EURO 220V - XLR PLUG	1	
ND	14092	CHARGER - USA 110V - XLR PLUG	1	
32	808003.10013	SLING RETAINER ASSEMBLY	Kit	

# OXFORD MAJOR ELECTRIC MARK II



This illustration and accompanying text set out in this Document is the Property of SUNRISE MEDICAL LTD. and must not be copied or used for manufacturing, tendering or any other purpose without their permission.



SPDWG 43

# OXFORD MAJOR ELECTRIC MARK II

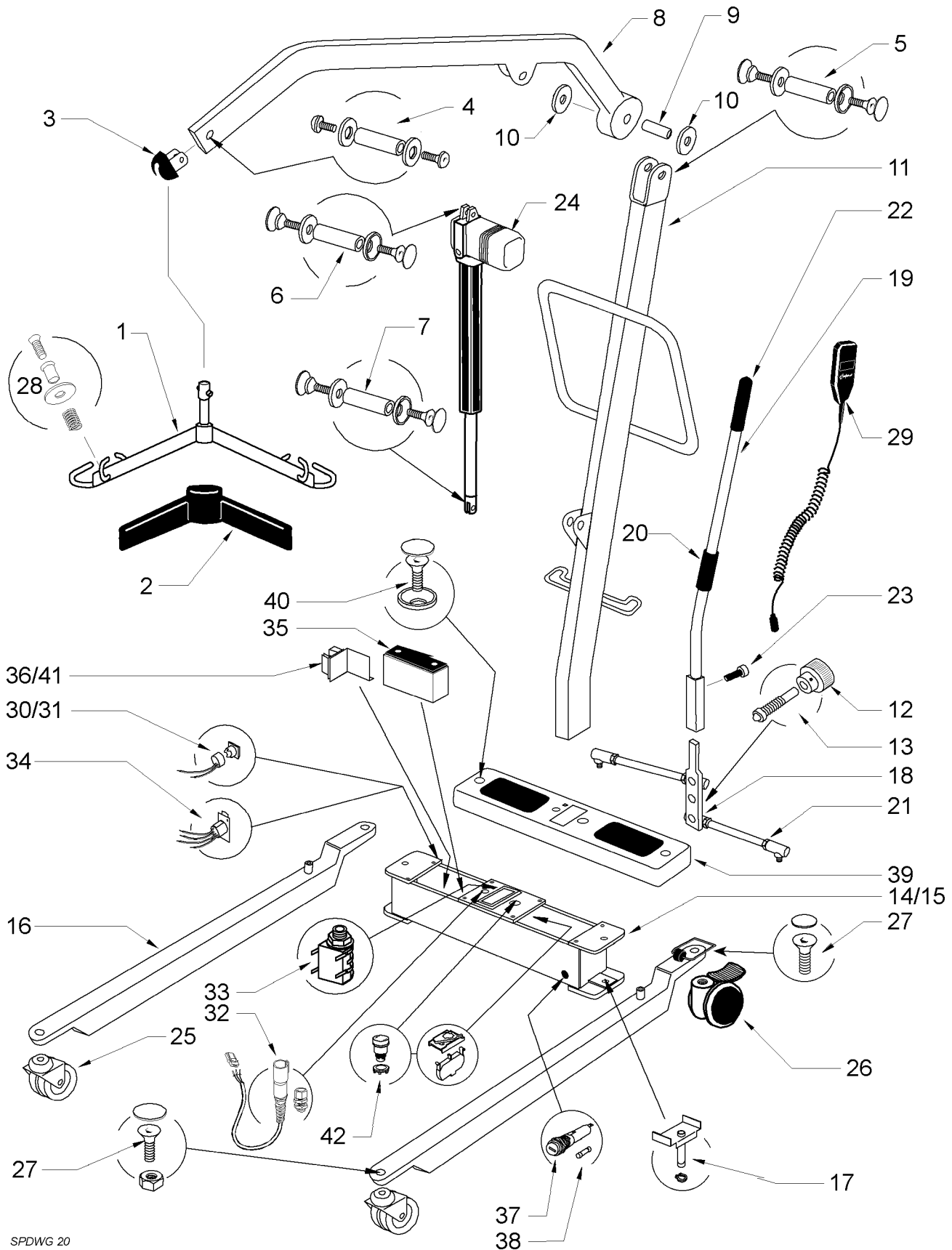
ITEM NO.	PART NO.	DESCRIPTION	QTY	SERIAL NO.
<b>SERIAL NUMBERS EM75739 TO EM83165</b>				
1	808003.10021	SPREADER BAR COMPLETE	Kit	
2	EM-2993	SPREADER BAR COVER	1	
3	EM-2729	BOOM END PADDING	1	
4	17601	BOOM BEARING (12mm)	1	
5	808003.10025	SPREADER BAR FULCRUM PIN	Kit	
6	808003.10026	BOOM/MAST FULCRUM PIN	Kit	
7	808003.10027	RAM/BOOM FULCRUM PIN	Kit	
8	808003.10028	RAM/MAST FULCRUM PIN	Kit	
9	17604	MAST ONLY	1	
10	322.42040	MAST LOCKING KNOB	1	
11	EM-2468	MAST LOCKING SPINDLE	1	
12	323.12040	HAND GRIP	1	
13	240-015	LEG ADJUSTER LEVER	1	
14	17580	LEG ADJUSTER LINKAGE	1	
15	240-016	LEG ADJUSTER HANDLE	1	
16	17582	LEG PIN ASSEMBLY	1	
17	17606	LEG ONLY	1	
18	SA-3010	LEG ADJUSTER HANDLE ROLLER	1	
19	17006	CROSSMEMBER PLASTIC COVER	1	
20	311.32210	FRONT CASTOR 75mm PLAIN TWIN	1	
21	13526	REAR BRAKED CASTOR - 100mm TWIN	1	
22	17650	ACTUATOR - SKF 24V	1	
23	14042	HANDCONTROL - LINAK 8 PIN	1	
24	337-00045	BATTERY - 12V 7AHR	1	
25	17544	CONTROL PCB - CLARKES	1	
26	13566	HANDCONTROL SOCKET (EXTENDED TYPE)	1	
27	215-032	DESCENT BUTTON (PUSH BUTTON)	1	
28	808003.10017	EMERGENCY STOP BUTTON	1	
29	187.10000	XLR CHARGING SOCKET	1	
30	14093	XLR PLUG - 4 PIN	1	
31	332.00027	ACTUATOR SOCKET	1	
32	808003.10018	FUSEHOLDER COMPLETE	Kit	
33	335.00020	FUSE 25A	10	
ND	14090	CHARGER - UK 240V - XLR PLUG	1	
ND	14091	CHARGER - EURO 220V - XLR PLUG	1	
ND	14092	CHARGER - USA 110V - XLR PLUG	1	
34	808003.10013	SLING RETAINER ASSEMBLY	Kit	



# OXFORD MAJOR ELECTRIC MARK II



This illustration and accompanying text set out in this Document is the Property of SUNRISE MEDICAL LTD. and must not be copied or used for manufacturing, tendering or any other purpose without their permission.



SPDWG 20

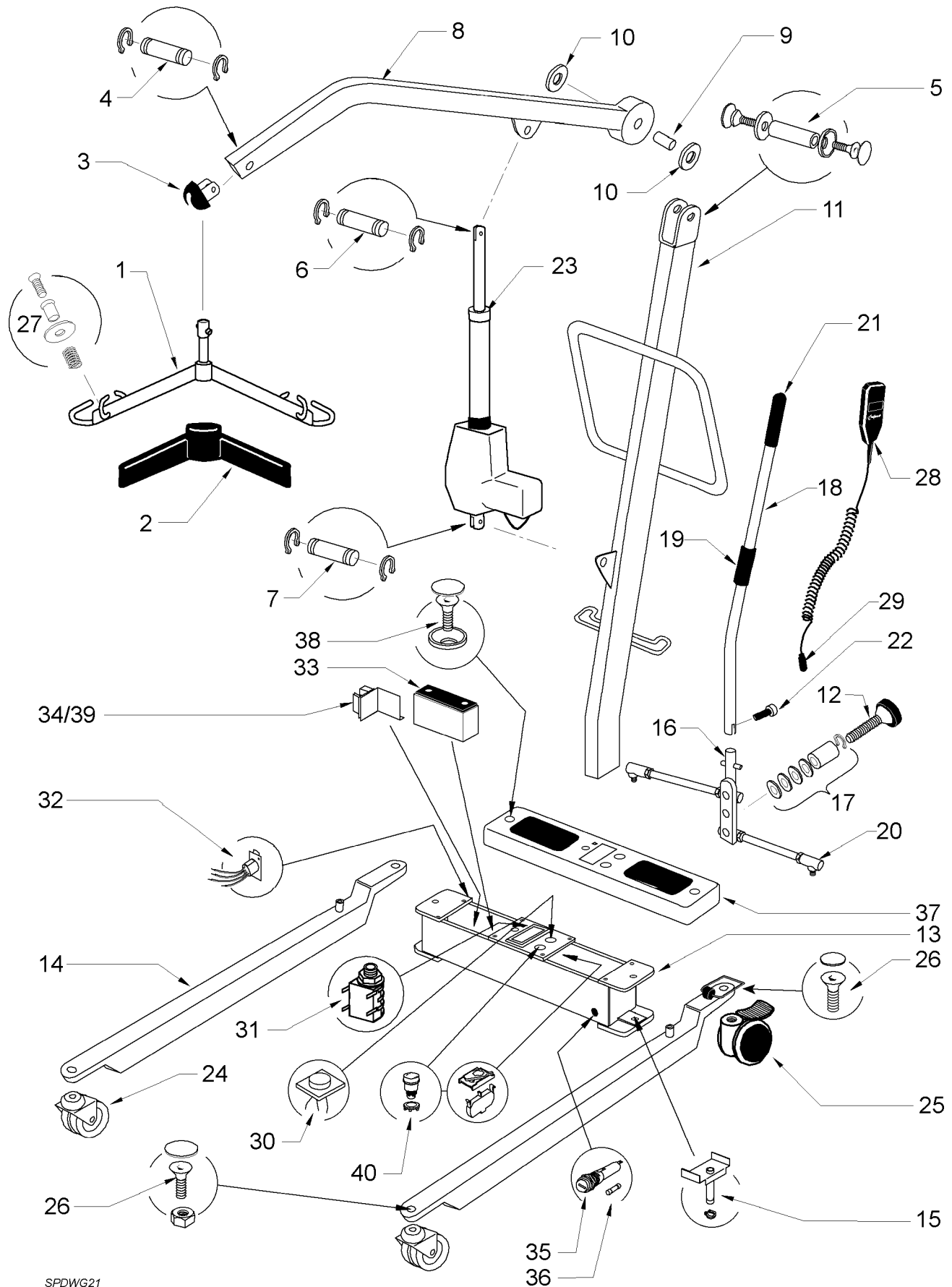
# OXFORD MAJOR ELECTRIC MARK II MARK I

ITEM NO.	PART NO.	DESCRIPTION	QTY	SERIAL NO.
<b>SERIAL NUMBERS FROM 83166 TO 15500</b>				
1	808003.10021	SPREADER BAR (WHITE) COMPLETE	Kit	
2	EM-2993	SPREADER BAR COVER (BLACK)	1	
3	EM-2729	BOOM END CAP	1	
4	808003.10025	SPREADER BAR FULCRUM PIN COMPLETE	Kit	
5	808003.10026	BOOM/MAST FULCRUM PIN COMPLETE	Kit	
6	808003.10035	RAM/BOOM FULCRUM PIN COMPLETE	Kit	
7	808003.10028	RAM/MAST FULCRUM PIN COMPLETE	Kit	
8	EM-3220	BOOM ONLY	1	
9	EM-2644	BOOM BEARING	1	
10	EM-2544	BOOM BLACK PLASTIC WASHER	1	
11	EM-3490	MAST ONLY	1	
12	322.42040	MAST LOCKING KNOB	1	
13	EM-2468	MAST LOCKING SPINDLE	1	
14	240-012	CROSSMEMBER (FROM 75739 TO 84581)	1	
15	808003.10034	CROSSMEMBER (FROM 84582)	Kit	
16	MA-2248	LEG ONLY	1	
17	808003.10029	LEG PIVOT PIN COMPLETE	Kit	
18	EM-2419	LEG ADJUSTER PLATE	1	
19	808003.10030	LEG ADJUSTER HANDLE COMPLETE	Kit	
20	SA-3010	LEG ADJUSTING HANDLE ROLLER	1	
21	EM-2679	LEG ADJUSTER LINKAGE	1	
22	323.12040	LEG ADJUSTER HANDLE GRIP	1	
23	211.43350	LEG ADJUSTER HANDLE RETAINING SCREW	1	
24	338.00039	EMS ACTUATOR	1	
25	311.32210	FRONT CASTORS 75mm PLAIN	2	
26	EM-3700	REAR CASTORS 100mm BRAKED	2	
27	808003.10031	CASTOR FIXINGS	Kit	
28	808003.10013	SLING RETAINER ASSEMBLY	Kit	
29	EM-3629	HANDCONTROL	1	
30	215-032	EMERGENCY DOWN SWITCH (PUSH - TO EM84581)	1	
31	333.00020	EMERGENCY DOWN SWITCH (ROCKER - FROM EM84582)	1	
32	13566	EXTENDED HANDCONTROL SOCKET	1	
33	332.00027	ACTUATOR SOCKET	1	
34	187.10000	CHARGING SOCKET (4 PIN XLR)	1	
35	337.00045	BATTERY 12 VDC 7 AHR	1	
36	332.00035	CONTROL PCB EDGE CONNECTOR	1	
37	808003.10018	FUSEHOLDER COMPLETE	Kit	
38	335.00020	FUSE 25 A	10	
39	EM-2608	CROSSMEMBER COVER (MKII)	1	
40	808003.10032	CROSSMEMBER COVER FIXINGS	Kit	
41	336.00021	CONTROL PCB - CLARKES	1	
42	808003.10017	EMERGENCY STOP SWITCH COMPLETE	Kit	

# OXFORD MAJOR ELECTRIC MARK III



This illustration and accompanying text set out in this Document is the Property of SUNRISE MEDICAL LTD. and must not be copied or used for manufacturing, tendering or any other purpose without their permission.



SPDWG21

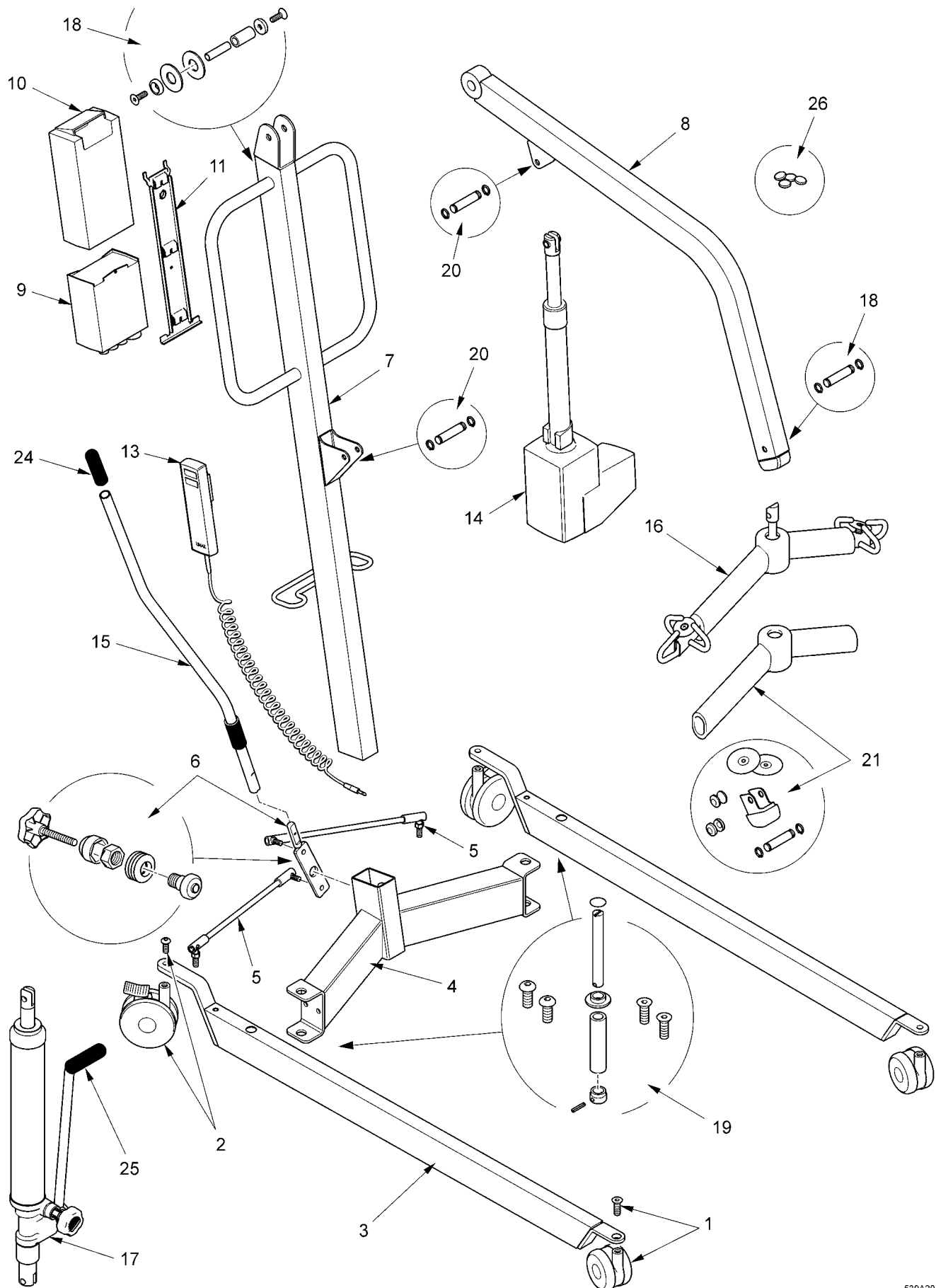
# OXFORD MAJOR ELECTRIC MARK III

ITEM NO.	PART NO.	DESCRIPTION	QTY	SERIAL NO.
<b>SERIAL NUMBERS FROM 15500 TO DATE</b>				
1	808003.10021	SPREADER BAR (WHITE) COMPLETE	Kit	
2	EM-2993	SPREADER BAR COVER (BLACK)	1	
3	EM-2729	BOOM END CAP	1	
4	808003.10039	SPREADER BAR FULCRUM PIN COMPLETE	Kit	
5	808003.10026	BOOM/MAST FULCRUM PIN COMPLETE	Kit	
6	808003.10040	RAM/BOOM FULCRUM PIN COMPLETE	Kit	
7	808003.10041	RAM/MAST FULCRUM PIN COMPLETE	Kit	
8	EM-3697	BOOM ONLY	1	
9	EM-2644	BOOM BEARING	1	
10	EM-2544	BOOM BLACK PLASTIC WASHER	1	
11	EM-3739	MAST ONLY	1	
12	324.02026	MAST LOCKING KNOB	1	
13	808003.10042	CROSSMEMBER ASSEMBLY	Kit	
14	MA-2248	LEG ONLY	1	
15	808003.10029	LEG PIVOT PIN COMPLETE	Kit	
16	808003.10009	LEG ADJUSTER PLATE	1	
17	808003.10010	LEG ADJUSTER SPRING ASSEMBLY	1	
18	808003.10036	LEG ADJUSTER HANDLE COMPLETE	Kit	
19	808003.10012	LEG ADJUSTING HANDLE ROLLER AND FITTINGS	1	
20	EM-2679	LEG ADJUSTER LINKAGE	1	
21	323.12040	LEG ADJUSTER HANDLE GRIP	1	
22	211.43350	LEG ADJUSTER HANDLE RETAINING SCREW	1	
23	EL-4017	LA34 ACTUATOR - LINAK	1	
24	311.32210	FRONT CASTORS 75mm PLAIN	2	
25	EM-3700	REAR CASTORS 100mm BRAKED	2	
26	808003.10031	CASTOR FIXINGS	Kit	
27	808003.10013	SLING RETAINER ASSEMBLY	Kit	
28	EM-3629	HANDCONTROL	1	
29	000184.4005	HANDCONTROL PLUG	1	
30	EL-3711	HANDCONTROL SOCKET (3 PIN AXL)	1	
31	332.00027	ACTUATOR SOCKET	1	
32	187.10000	CHARGING SOCKET (4 PIN XLR)	1	
33	337.00045	BATTERY 12 VDC 7 AHR	1	
34	332.00035	CONTROL PCB EDGE CONNECTOR	1	
35	808003.10018	FUSEHOLDER COMPLETE	Kit	
36	335.00020	FUSE 25 A	10	
37	EM-3343	CROSSMEMBER COVER (MKIII)	1	
38	808003.10038	CROSSMEMBER COVER FIXINGS	Kit	
39	200001.10250	CONTROL PCB - CLARKES - SET FOR MAJOR	1	
40	808003.10017	EMERGENCY STOP SWITCH COMPLETE	Kit	

# OXFORD MAJOR 190KG



This illustration and accompanying text set out in this Document is the Property of SUNRISE MEDICAL LTD. and must not be copied or used for manufacturing, tendering or any other purpose without their permission.



539A204

# OXFORD MAJOR 190KG

ITEM NO.	PART NO.	DESCRIPTION	QTY	SERIAL NO.
1	091388.10000	CASTER KIT:75mm NYLON CASTER, M8 CSK SCREW	1	
2	091388.10001	REAR CASTER KIT: 100mm NYLON BRAKED CASTER M10 BUTTON HEAD BOLT	1	
3	211001.10005	LEG FABRICATION: SUITABLE FOR LEFT AND RIGHT CONFIG (DOES NOT INC CATERS)	1	
4	211001.10009	CROSS MEMBER ASSEMBLY, INCLUDING NUTSERT	1	
5	EM-2679	LINK RODS (LEFT & RIGHT SIDE) INCLUDING WASHERS	1	
6	232388.10000	PIVOT PLATE ASSEMBLY: BELVILLE WASHERS, CIRCLIP, CAP, AND LOCKING KNOB	1	
7	211001.10007	MAST COMPLETE	1	
8	211709.10002	BOOM COMPLETE	1	
9	172001.10004	LINAK CONTROLLER	1	
10	000172.10000	LINAK BATTERY	1	
11	560000.10000	LINAK BATTERY AND CONTROLLER BRACKET AND FIXINGS	1	
12	TBA	LINAK BATTERY CHARGER AND DESK TOP UNIT	1	
13	293001.10000	LINAK HAND CONTROL	1	
14	182001.10002	LINAK ACTUATOR (300mm STROKE)	1	
15	232388.10007	LEG ADJUSTER HANDLE	1	
16	EM-3815	SPREADER BAR ASSEMBLY	1	
17	HY-4089	HYDRAULIC PUMP	NA	
<b>KITS AND FIXINGS COMPLETE</b>				
18	232388.10005	MAST & BOOM FIXING KIT: X2 NYLON WASHERS, X1 NYLON PIVOT TUBE, X1 STEEL PIVOT PIN, X2 WASHERS, X2 M8 CSK BOLT	1	
19	TBA	CROSS MEMBER & LEG FIXING KIT: X2 M10 CASTER BOLTS CSK, X2 M10 BUTTON HEAD CASTER BOLTS, X2 LEG PIVOT PINS LONG (MAJOR/MAXI), X2 LEG PIVOT PINS SHORT (MINI, MIDI, STOWAWAY)	1	
20	232388.10004	ACTUATOR FULCRUM FIXING KIT: X2 FIXING PINS, X4 CIRCLIP	1	
21	TBA	SPREADER BAR SERVICE KIT: X1 PADDING, X2 FULCRUM PIN CAPS, X1 BOOM END CAP, 2X CAP WASHERS, X2 CIRCLIPS X1 FULCRUM PINS, X2 SLING RETAINING PLATES COMPLETE	1	
22	N/A	LEG ADJUSTER SERVICE TOOL:	1	
23	000412.10004	DECAL SET ELECT:	1	
	000412.10005	DECAL SET HYD:	1	
<b>COMMONLY REQUIRED ITEMS</b>				
24	560662	HANDLE GRIP: LEG ADJUSTER HANDLE	15	
25	323-12050	HANDLE GRIP: HYDRAULIC PUMP HANDLE	15	
26	371-10054	CIRCLIP CAPS	20	

This page is intentionally blank

# CHAPTER 9 : OXFORD MINI STANDAID

---



Sunrise Medical is ISO 9001 certified, which ensures quality at all stages of the development and production of this hoist.

## Contents

MODEL	SERIAL NO. RANGE	PAGE
MINI STANDAID - NARROW WHEELBASE		9.3
MINI STANDAID - NARROW & WIDE WHEELBASE		9.5

## IMPORTANT

IT IS POTENTIALLY HAZARDOUS TO FIT OR USE ANY PARTS OTHER THAN GENUINE **SUNRISE MEDICAL PARTS**. THE COMPANY DISCLAIMS ALL LIABILITY FOR THE CONSEQUENCES OF SUCH USE, WHICH IN ADDITION VOIDS THE MACHINE WARRANTY.

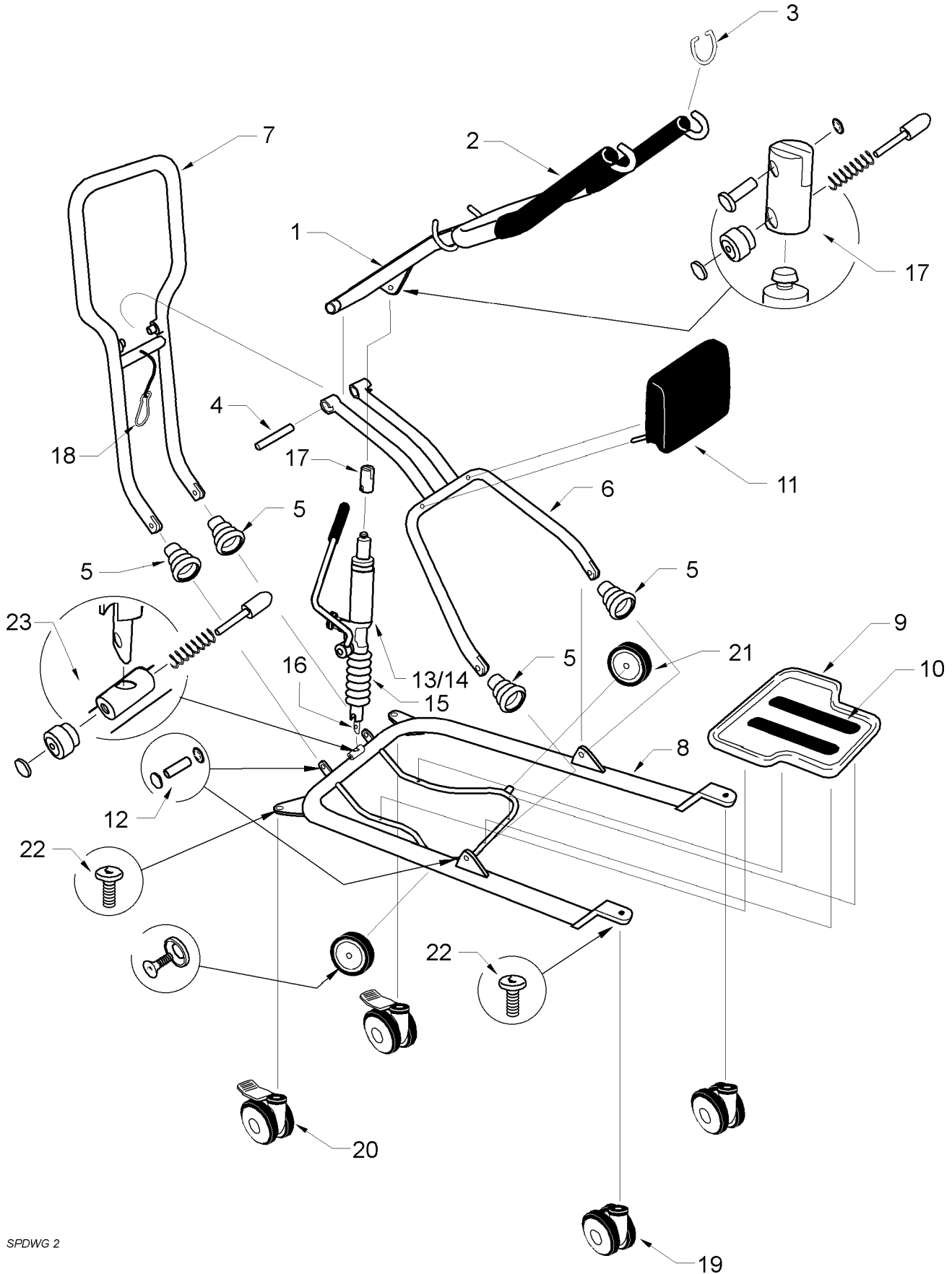
THIS HOIST IS FOR THE CARRIAGE OF ONE PERSON AND **MUST NOT** BE USED FOR ANY OTHER PURPOSE.



# OXFORD MINI STAND AID - NARROW WHEELBASE WITH 5TH & 6TH WHEELS



This illustration and accompanying text set out in this Document is the Property of SUNRISE MEDICAL LTD. and must not be copied or used for manufacturing, tendering or any other purpose without their permission.



SPDWG 2

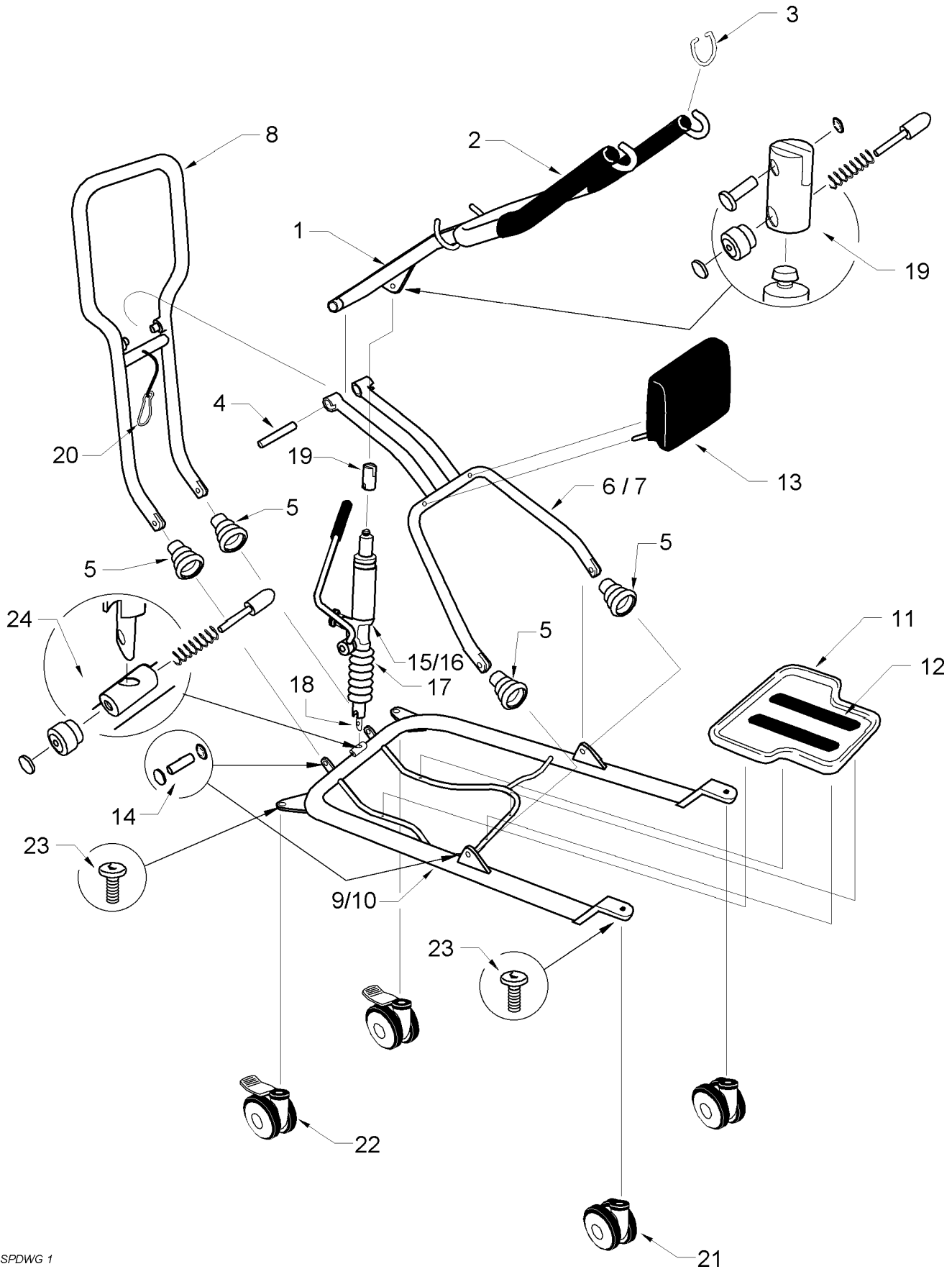
# OXFORD MINI STANDAID - NARROW WHEELBASE WITH 5TH & 6TH WHEELS

ITEM NO.	PART NO.	DESCRIPTION	QTY	SERIAL NO.
1	808003.10146	STANDAID BOOM COMPLETE	Kit	
2	323.12065	HANDGRIP	2	
3	SA-2692	SLING RETAINER LOOP	2	
4	SH-2879	BOOM FULCRUM PIN	1	
5	SH-2973	PIVOT SHROUD MOULDING	1	
6	SH-2838	SUPPORT FRAME	1	
7	SH-2839	HANDLE FRAME	1	
8	808003.10147	CHASSIS ASSEMBLY	Kit	
9	808003.10148	FOOTRAY COMPLETE	Kit	
10	SH-2312	FOOTRAY MAT	2	
11	SH-2978	KNEEPAD	1	
12	808003.10149	HINGE PIN SET	Kit	
13	HY-2997	HYDRAULIC UNIT -MINI STANDAID- NEW	1	
14	808003.10150	HYDRAULIC UNIT - MINI STANDAID - SERVICE EXCHANGE	1	
15	SH-2972	SUPPORT SHROUD	1	
16	SH-2890	ACTUATOR PIVOT	1	
17	SH-3910	ACTUATOR CLEVIS COMPLETE	1	
18	SH-3899	SECURING STRAP COMPLETE	1	
19	EM-3699	FRONT CASTOR - 100mm PLAIN	1	
20	EM-3700	REAR CASTOR - 100mm BRAKED	1	
21	255-015	5TH & 6TH WHEELS	1	
22	808003.10151	CASTOR FIXINGS	Kit	
-	808003.10152	FIXINGS KIT	Kit	
23	808003.10153	LOCKING PIN KIT	Kit	

# OXFORD MINI STAND AID - NARROW & WIDE WHEELBASE



This illustration and accompanying text set out in this Document is the Property of SUNRISE MEDICAL LTD. and must not be copied or used for manufacturing, tendering or any other purpose without their permission.



SPDWG 1

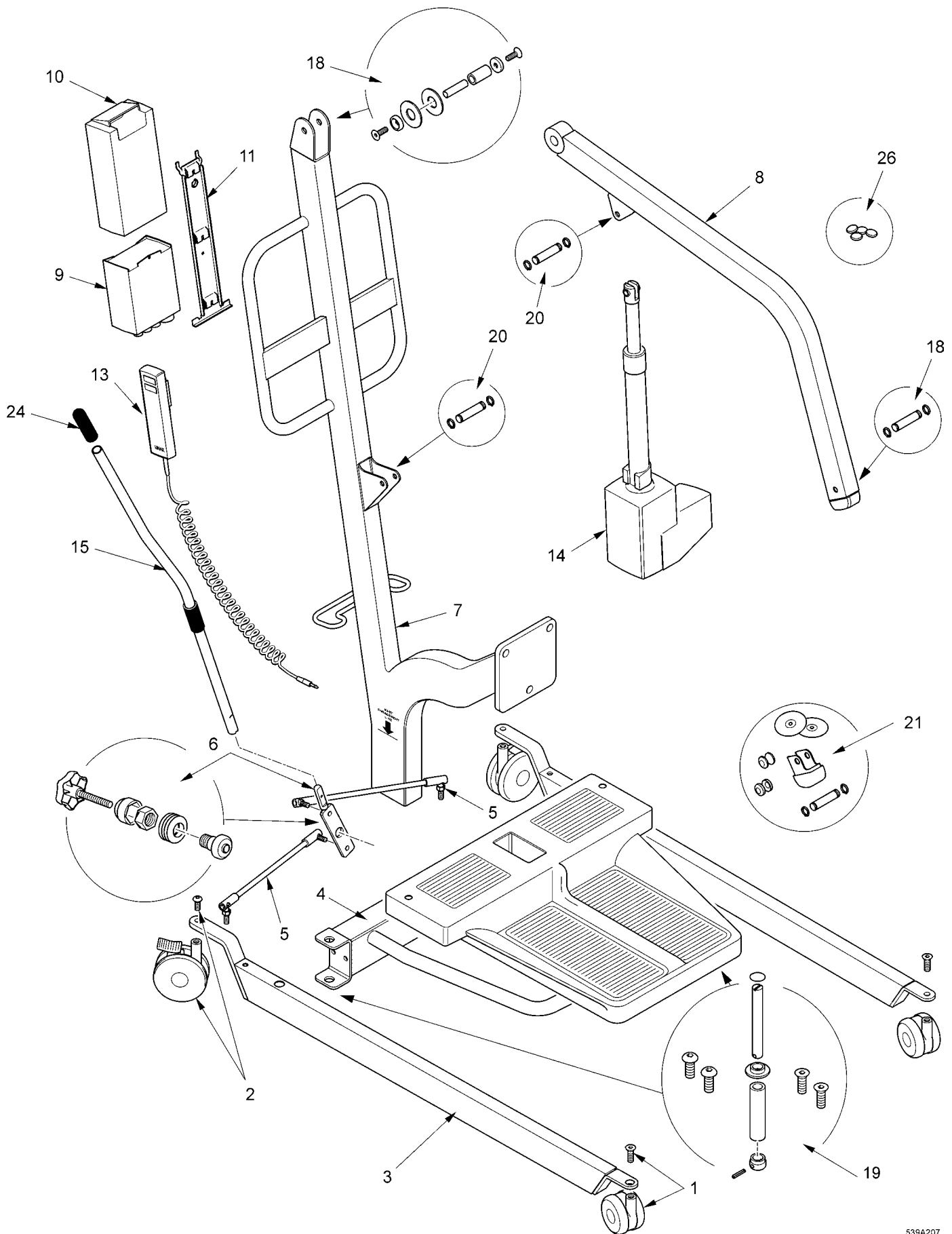
# OXFORD MINI STANDAID - NARROW & WIDE WHEELBASE

ITEM NO.	PART NO.	DESCRIPTION	QTY	SERIAL NO.
1	808003.10146	STANDAID BOOM COMPLETE	Kit	
2	323.12065	HANDGRIP	2	
3	SA-2692	SLING RETAINER LOOP	2	
4	SH-2879	BOOM FULCRUM PIN	1	
5	SH-2973	PIVOT SHROUD MOULDING	1	
6	SH-3690	SUPPORT FRAME (WIDE)	1	
7	SH-2838	SUPPORT FRAME (NARROW)	1	
8	SH-2839	HANDLE FRAME	1	
9	808003.10154	CHASSIS ASSEMBLY (WIDE)	Kit	
10	808003.10147	CHASSIS ASSEMBLY (NARROW)	Kit	
11	808003.10148	FOOTRAY COMPLETE	Kit	
12	SH-2312	FOOTRAY MAT	2	
13	SH-2978	KNEEPAD	1	
14	808003.10149	HINGE PIN SET	Kit	
15	HY-2997	HYDRAULIC UNIT - MINI STANDAID - NEW	1	
16	808003.10150	HYDRAULIC UNIT - MINI STANDAID - SERVICE EXCHANGE	1	
17	SH-2972	SUPPORT SHROUD	1	
18	SH-2890	ACTUATOR PIVOT	1	
19	SH-3910	ACTUATOR CLEVIS COMPLETE	1	
20	SH-3899	SECURING STRAP COMPLETE	1	
21	EM-3699	FRONT CASTOR - 100mm PLAIN	1	
22	EM-3700	REAR CASTOR - 100mm BRAKED	1	
23	808003.10151	CASTOR FIXINGS	Kit	
-	808003.10152	FIXINGS KIT	Kit	
24	808003.10153	LOCKING PIN KIT	Kit	

# OXFORD MINI STAND AID SPARES LIST



This illustration and accompanying text set out in this Document is the Property of SUNRISE MEDICAL LTD. and must not be copied or used for manufacturing, tendering or any other purpose without their permission.



539A207

# OXFORD MINI STAND AID SPARES LIST

ITEM NO.	PART NO.	DESCRIPTION	QTY	SERIAL NO.
1	091388.10000	CASTER KIT:75mm NYLON CASTER, M8 CSK SCREW	1	
2	091388.10001	REAR CASTER KIT: 100mm NYLON BRAKED CASTER M10 BUTTON HEAD BOLT	1	
3	417641.11001	LEG FABRICATION: SUITABLE FOR LEFT AND RIGHT CONFIG (DOES NOT INC CATERS)	1	
4	106641.11000	CROSS MEMBER ASSEMBLY, INCLUDING NUTSERT	1	
5	EM-2679	LINK RODS (LEFT & RIGHT SIDE) INCLUDING WASHERS	1	
6	232388.10014	PIVOT PLATE ASSEMBLY: BELVILLE WASHERS, CIRCLIP, CAP, AND LOCKING KNOB	1	
7	457641.11001	MAST COMPLETE	1	
8	SA/2133	BOOM COMPLETE	1	
9	172001.10002	LINAK CONTROLLER	1	
10	000172.10000	LINAK BATTERY	1	
11	560000.10000	LINAK BATTERY AND CONTROLLER BRACKET AND FIXINGS	1	
12	TBA	LINAK BATTERY CHARGER AND DESK TOP UNIT	1	
13	293388.10000	LINAK HAND CONTROL	1	
14	182001.10003	LINAK ACTUATOR (300mm STROKE)	1	
15	232388.10015	LEG ADJUSTER HANDLE	1	
16	N/A	SPREADER BAR ASSEMBLY	1	
17	N/A	HYDRAULIC PUMP	NA	
18	533388.10001	FOOT TRAY KIT (INCLUDING TRAY, FIXINGS AND PADS)	1	
19	TBA	FOOT TRAY PAD KIT (INCLUDING ALL PADS)	1	
20	426388.10000	KNEE PAD KIT	1	
21	052388.10000	BOOM - PATIENT KIT	1	
<b>KITS AND FIXINGS COMPLETE</b>				
22	232388.10013	MAST & BOOM FIXING KIT: X2 NYLON WASHERS, X1 NYLON PIVOT TUBE, X1 STEEL PIVOT PIN, X2 WASHERS, X2 M8 CSK BOLT	1	
23	213-24650	CROSS MEMBER & LEG FIXING KIT: X2 M8 CASTER BOLTS CSK, X2 M10 BUTTON HEAD CASTER BOLTS, X2 LEG PIVOT PINS LONG (MAJOR/MAXI), X2 LEG PIVOT PINS SHORT (MINI, MIDI, STOWAWAY)	1	
24	232388.10012	ACTUATOR FULCRUM FIXING KIT: X2 WASHER,X1 FULCRUM PIN,X1 BOLT,X2 STRAP KNOB,X2 STRAP INSERT, X1 BUSH,X2 END CAPS,X2 SCREWS,X5 WASHERS	1	
25	N/A	SPREADER BAR SERVICE KIT: X1 PADDING, X2 FULCRUM PIN CAPS, X1 BOOM END CAP, 2X CAP WASHERS, X2 CIRCLIPS X1 FULCRUM PINS, X2 SLING RETAINING PLATES COMPLETE	1	
26	N/A	LEG ADJUSTER SERVICE TOOL:	1	
27	000412.10009	DECAL SET:	6	
<b>COMMONLY REQUIRED ITEMS</b>				
28	560662	HANDLE GRIP: LEG ADJUSTER HANDLE	15	
29	323-12050	HANDLE GRIP: HYDRAULIC PUMP HANDLE	15	

This page is intentionally blank

# CHAPTER 10 : OXFORD STANDDAID 135

---



Sunrise Medical is ISO 9001 certified, which ensures quality at all stages of the development and production of this hoist.

## Contents

MODEL	SERIAL NO. RANGE	PAGE
OXFORD STANDDAID 135	SA 44119 TO SA 48767	10.3
OXFORD STANDDAID 135	SA 48768 TO SA 55489	10.5
OXFORD STANDDAID 135	SA 55490 TO SA 59415	10.7
OXFORD STANDDAID 135	SA 59416 TO SA 62325	10.9
OXFORD STANDDAID 135	SA 62326 TO SA 65873	10.11
OXFORD STANDDAID 135	SA 65874 TO SA 71500	10.13
OXFORD STANDDAID 135	SA 71502 TO SA 75294	10.15
OXFORD STANDDAID 135 MK II	SA 75295 TO SA 84581	10.17
OXFORD STANDDAID 135 MK II	SA 84582 TO SA 15000	10.19
OXFORD STANDDAID 135 MK II	SA 15000 TO TO DATE	10.21

## IMPORTANT

IT IS POTENTIALLY HAZARDOUS TO FIT OR USE ANY PARTS OTHER THAN GENUINE SUNRISE MEDICAL PARTS. THE COMPANY DISCLAIMS ALL LIABILITY FOR THE CONSEQUENCES OF SUCH USE, WHICH IN ADDITION VOIDS THE MACHINE WARRANTY.

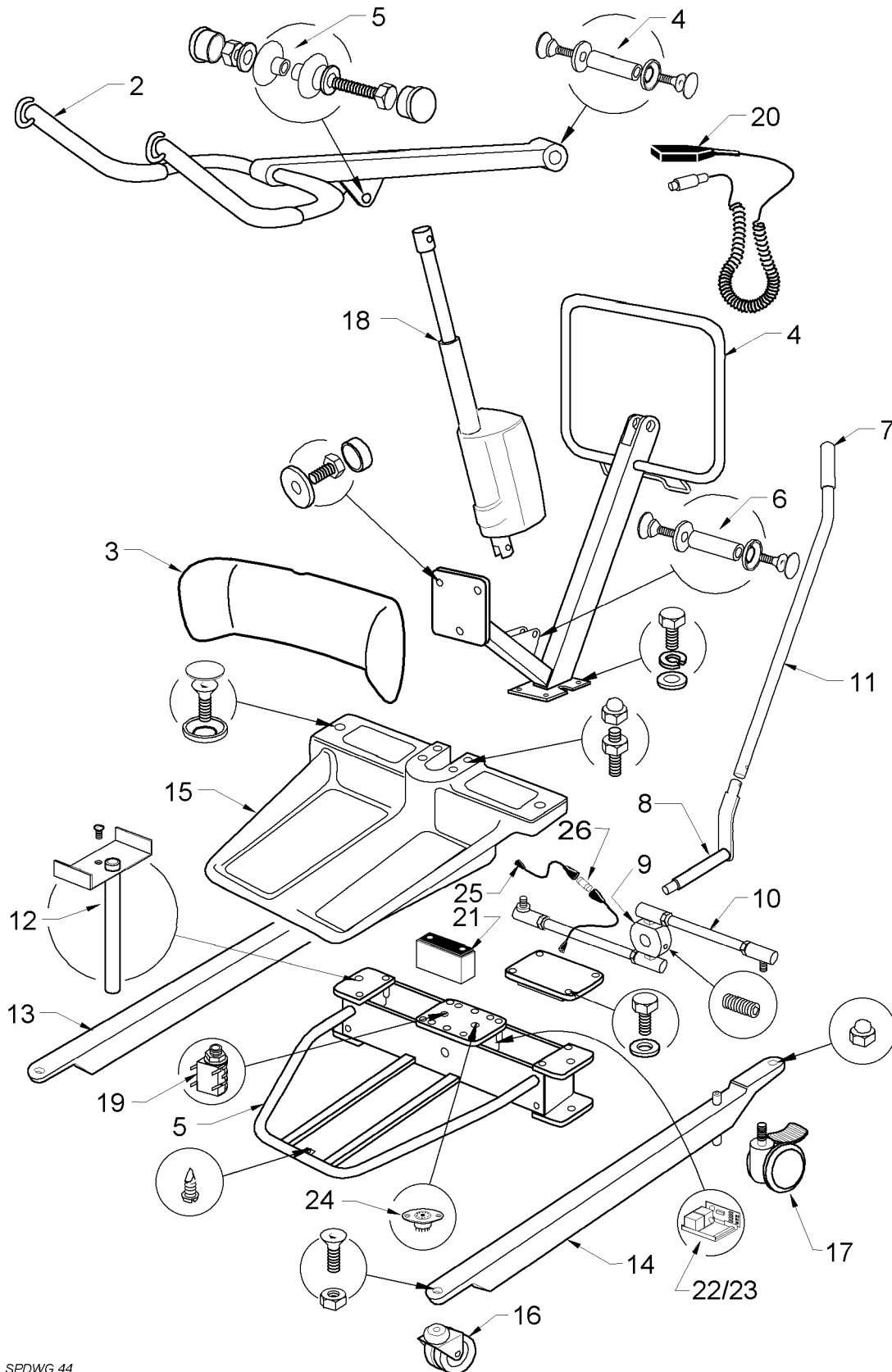
THIS HOIST IS FOR THE CARRIAGE OF ONE PERSON AND MUST NOT BE USED FOR ANY OTHER PURPOSE.



# OXFORD STANDAID 135



This illustration and accompanying text set out in this Document is the Property of SUNRISE MEDICAL LTD. and must not be copied or used for manufacturing, tendering or any other purpose without their permission.



SPDWG 44

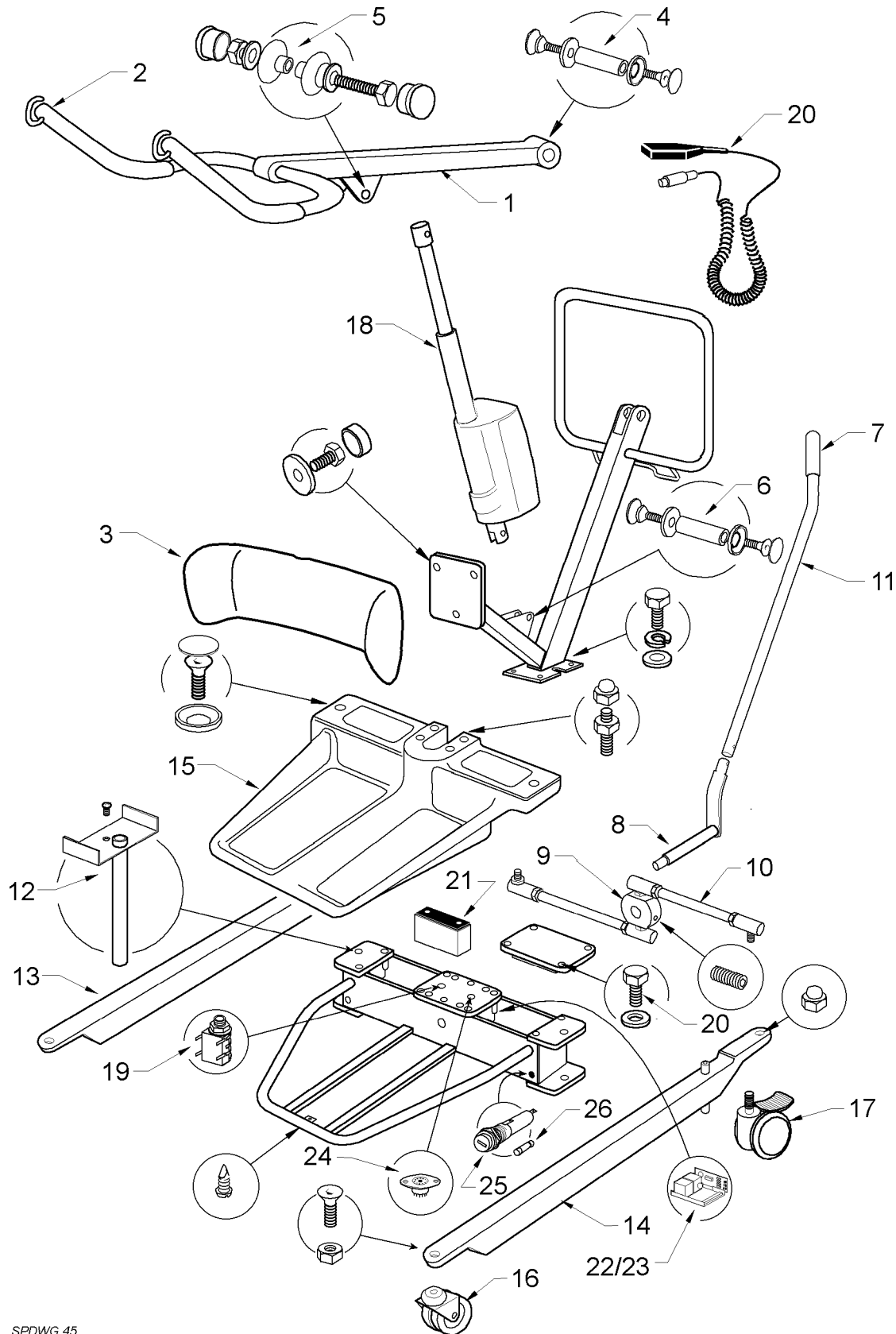
# OXFORD STANDAID 135

ITEM NO.	PART NO.	DESCRIPTION	QTY	SERIAL NO.
<b>SERIAL NUMBERS SA44119 TO SA 48767</b>				
1	808003.10094	STANDAID BOOM COMPLETE	Kit	
2	323.12060	HANDGRIP	2	
3	808003.10095	KNEEPAD COMPLETE	1	
4	13586	SUPPORT ARM/MAST FULCRUM PIN	Kit	
5	808003.10097	RAM/BOOM FULCRUM PIN	Kit	
6	808003.10098	RAM/MAST FULCRUM PIN	Kit	
7	323.12040	HAND GRIP (LEG ADJUSTER)	1	
8	13513	LEG ADJUSTER ASSEMBLY COMPLETE	1	
9	13517	LEG ADJUSTER DOUBLE LEVER ONLY	1	
10	13514	LEG ADJUSTER LINKAGE	1	
11	13515	LEG ADJUSTER HANDLE	1	
12	13518	LEG PIN ASSEMBLY	1	
13	13520	RIGHT LEG ONLY	1	
14	13523	LEFT LEG ONLY	1	
15	13552	FOOTRAY COMPLETE	1	
16	311.32210	FRONT CASTOR 75mm PLAIN TWIN	1	
17	13526	REAR BRAKED CASTOR - 100mm TWIN	1	
18	13540	ACTUATOR - LINAK LA32	1	
19	332.00027	ACTUATOR SOCKET	1	
20	14042	HANDCONTROL - LINAK 8 PIN	1	
21	14052	BATTERY - 6V 12AHR	1	
22	13545	CONTROL PCB - LINAK CS1600-14-24 (TURNED DOWN - 9A)	1	
23	17543	BLEEPER PCB	1	
24	13543	HANDCONTROL SOCKET (8 PIN DIN)	1	
25	14059	IN-LINE FUSEHOLDER	Kit	
26	335.00020	FUSE 25A	10	
ND	14061	CHARGER - UK 240V - 8 PIN PLUG	1	
ND	14064	CHARGER - EURO 220V - 8 PIN PLUG	1	
ND	14067	CHARGER - USA 110V - 8 PIN PLUG	1	

# OXFORD STANDAID 135



This illustration and accompanying text set out in this Document is the Property of SUNRISE MEDICAL LTD. and must not be copied or used for manufacturing, tendering or any other purpose without their permission.



SPDWG 45

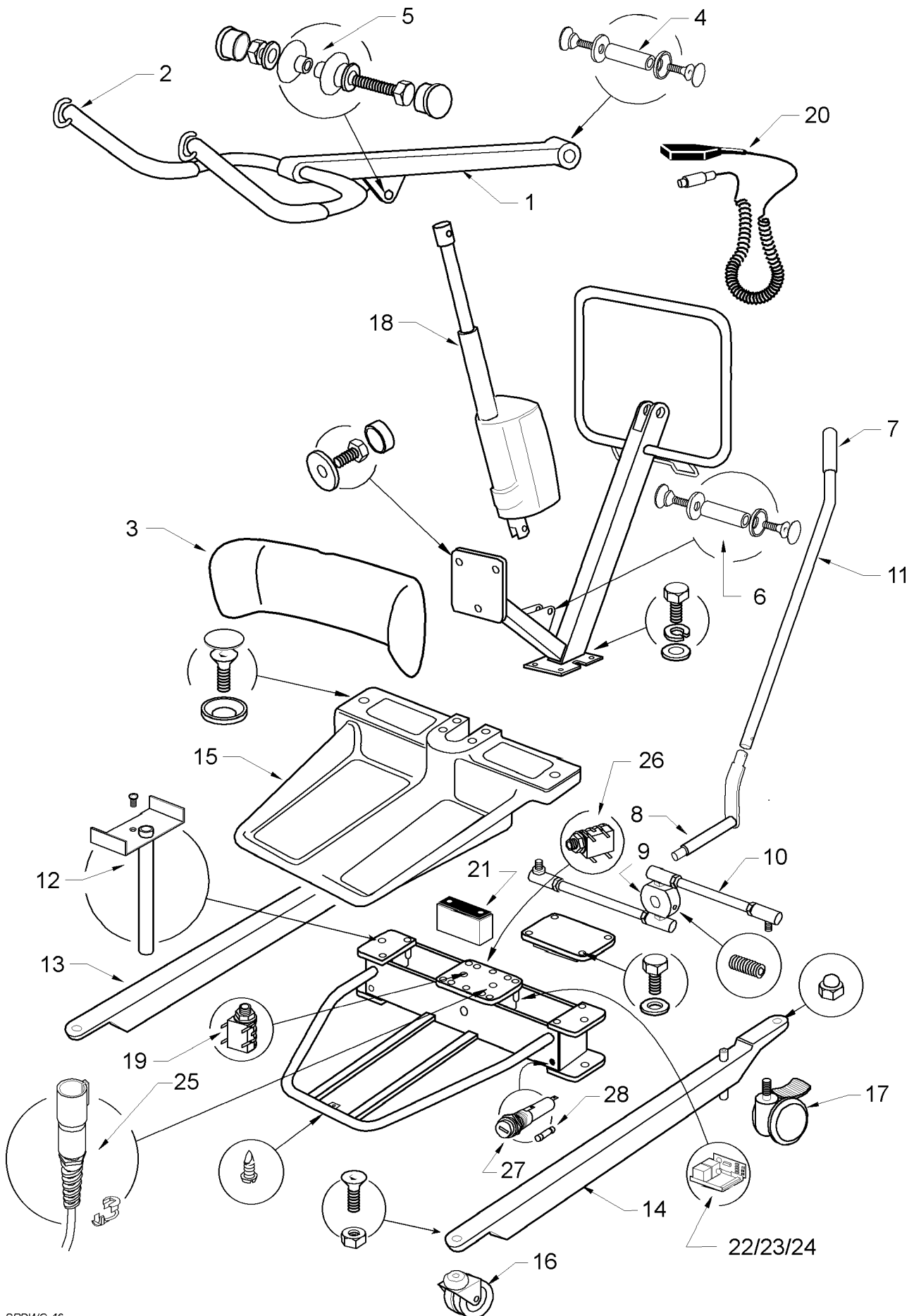
# OXFORD STANDAID 135

ITEM NO.	PART NO.	DESCRIPTION	QTY	SERIAL NO.
<b>SERIAL NUMBERS SA 48768 TO SA55489</b>				
1	808003.10094	STANDAID BOOM COMPLETE	Kit	
2	323.12060	HANDGRIP	2	
3	808003.10095	KNEEPAD COMPLETE	1	
4	13586	SUPPORT ARM/MAST FULCRUM PIN	Kit	
5	808003.10097	RAM/BOOM FULCRUM PIN	Kit	
6	808003.10098	RAM/MAST FULCRUM PIN	Kit	
7	323.12040	HAND GRIP (LEG ADJUSTER)	1	
8	13513	LEG ADJUSTER ASSEMBLY COMPLETE	1	
9	13517	LEG ADJUSTER DOUBLE LEVER ONLY	1	
10	13514	LEG ADJUSTER LINKAGE	1	
11	13515	LEG ADJUSTER HANDLE	1	
12	13518	LEG PIN ASSEMBLY	1	
13	13520	RIGHT LEG ONLY	1	
14	13523	LEFT LEG ONLY	1	
15	13552	FOOTRAY COMPLETE	1	
16	311.32210	FRONT CASTOR 75mm PLAIN TWIN	1	
17	13526	REAR BRAKED CASTOR - 100mm TWIN	1	
18	13540	ACTUATOR - LINAK LA32	1	
19	332.00027	ACTUATOR SOCKET	1	
20	14042	HANDCONTROL - LINAK 8 PIN	1	
21	14052	BATTERY - 6V 12AHR	1	
22	13545	CONTROL PCB - LINAK CS1600-14-24 (TURNED DOWN - 9A)	1	
23	17543	BLEEPER PCB	1	
24	13543	HANDCONTROL SOCKET (8 PIN DIN)	1	
25	808003.10018	FUSEHOLDER COMPLETE	Kit	
26	335.00020	FUSE 25A	10	
ND	14061	CHARGER - UK 240V - 8 PIN PLUG	1	
ND	14064	CHARGER - EURO 220V - 8 PIN PLUG	1	
ND	14067	CHARGER - USA 110V - 8 PIN PLUG	1	

# OXFORD STANDAID 135



This illustration and accompanying text set out in this Document is the Property of SUNRISE MEDICAL LTD. and must not be copied or used for manufacturing, tendering or any other purpose without their permission.



SPDWG 46

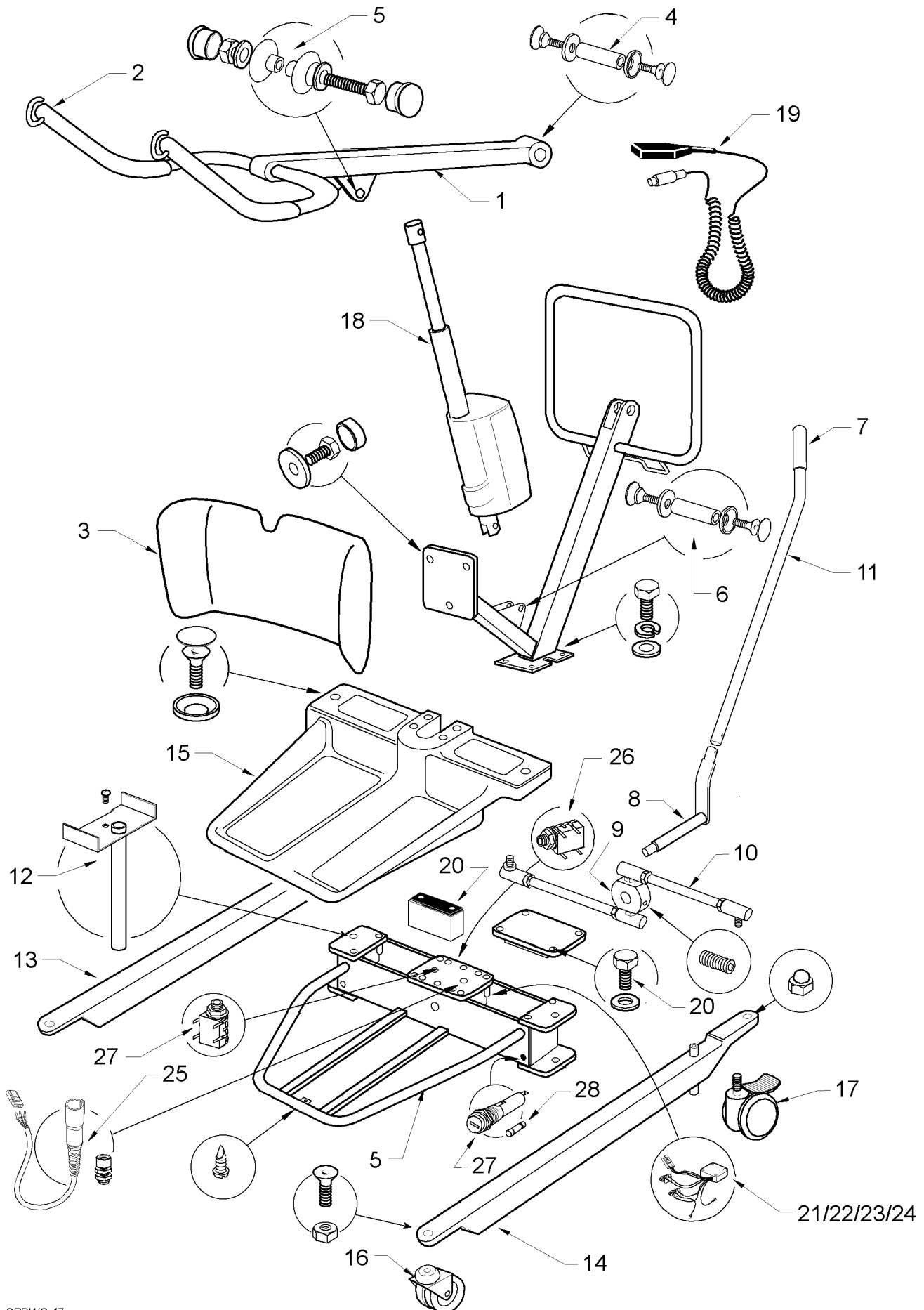
# OXFORD STANDAID 135

ITEM NO.	PART NO.	DESCRIPTION	QTY	SERIAL NO.
<b>SERIAL NUMBERS SA55490 TO SA59415</b>				
1	808003.10094	STANDAID BOOM COMPLETE	Kit	
2	323.12060	HANDGRIP	2	
3	808003.10095	KNEEPAD COMPLETE	1	
4	13586	SUPPORT ARM/MAST FULCRUM PIN	Kit	
5	808003.10097	RAM/BOOM FULCRUM PIN	Kit	
6	808003.10098	RAM/MAST FULCRUM PIN	Kit	
7	323.12040	HAND GRIP (LEG ADJUSTER)	1	
8	13513	LEG ADJUSTER ASSEMBLY COMPLETE	1	
9	13517	LEG ADJUSTER DOUBLE LEVER ONLY	1	
10	13514	LEG ADJUSTER LINKAGE	1	
11	13515	LEG ADJUSTER HANDLE	1	
12	13518	LEG PIN ASSEMBLY	1	
13	13520	RIGHT LEG ONLY	1	
14	13523	LEFT LEG ONLY	1	
15	13552	FOOTRAY COMPLETE	1	
16	311.32210	FRONT CASTOR 75mm PLAIN TWIN	1	
17	13526	REAR BRAKED CASTOR - 100mm TWIN	1	
18	13540	ACTUATOR - LINAK LA32	1	
19	332.00027	ACTUATOR SOCKET	1	
20	14042	HANDCONTROL - LINAK 8 PIN	1	
21	14052	BATTERY - 6V 12AHR	1	
22	13545	CONTROL PCB - LINAK CS1600-14-24 (TURNED DOWN - 9A)	1	
23	13542	CONTROL PCB - CLARKES	1	
24	17543	BLEEPER PCB	1	
25	13566	HANDCONTROL SOCKET (EXTENDED TYPE)	1	
26	13567	CHARGING SOCKET (JACKTYPE)	1	
27	808003.10018	FUSEHOLDER COMPLETE	Kit	
28	335.00020	FUSE 25A	10	
ND	14062	CHARGER - UK 240V - JACK PLUG	1	
ND	14065	CHARGER - EURO 220V - JACK PLUG	1	
ND	14068	CHARGER - USA 110V - JACK PLUG	1	

# OXFORD STANDAID 135



This illustration and accompanying text set out in this Document is the Property of SUNRISE MEDICAL LTD. and must not be copied or used for manufacturing, tendering or any other purpose without their permission.



SPDWG 47

# OXFORD STANDAID 135

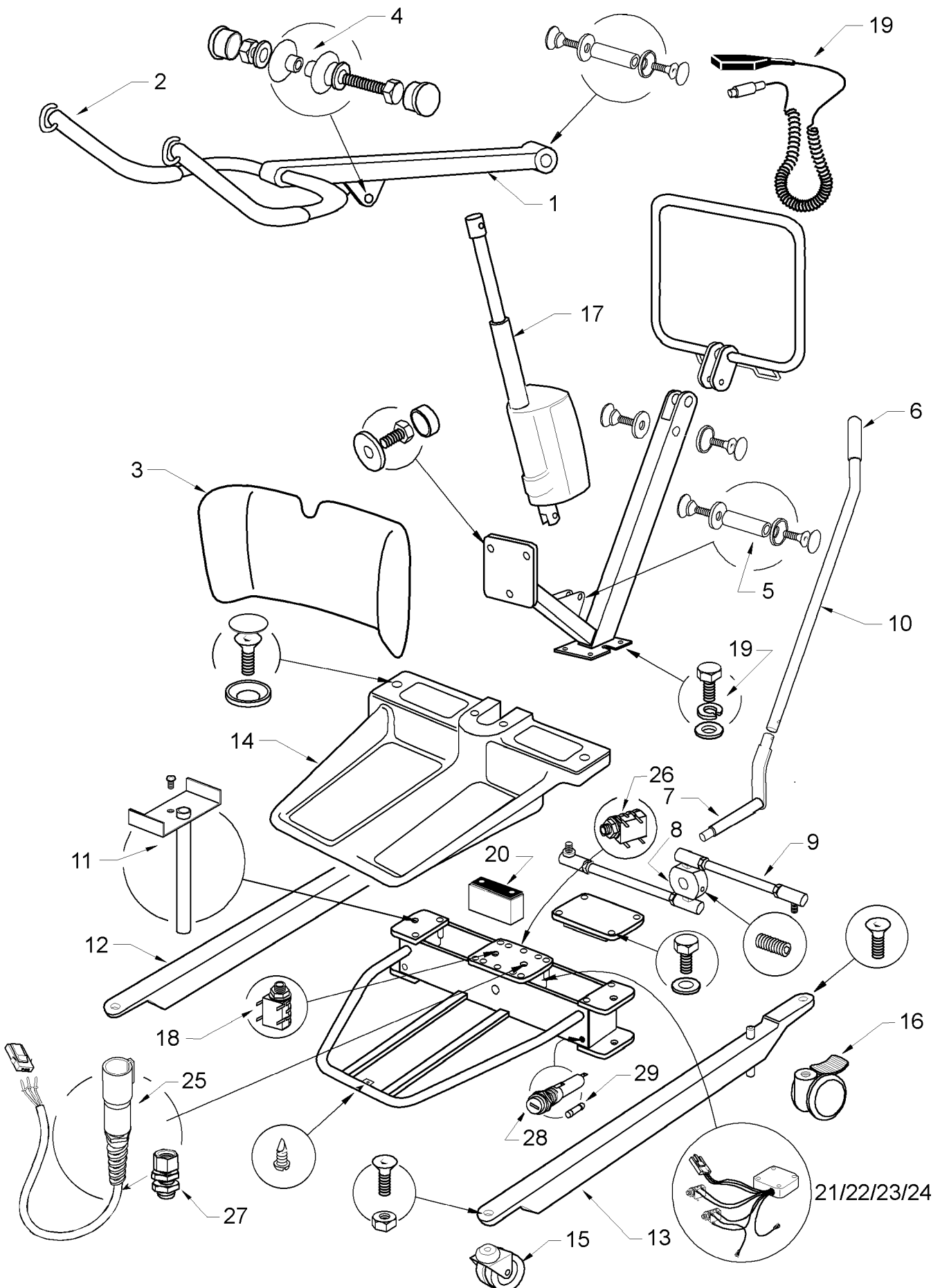
ITEM NO.	PART NO.	DESCRIPTION	QTY	SERIAL NO.
<b>SERIAL NUMBERS SA59416 TO SA62325</b>				
1	808003.10094	STANDAID BOOM COMPLETE	Kit	
2	323.12060	HANDGRIP	2	
3	808003.10095	KNEEPAD COMPLETE	1	
4	13586	SUPPORT ARM/MAST FULCRUM PIN	Kit	
5	808003.10097	RAM/BOOM FULCRUM PIN	Kit	
6	808003.10098	RAM/MAST FULCRUM PIN	Kit	
7	323.12040	HAND GRIP (LEG ADJUSTER)	1	
8	13513	LEG ADJUSTER ASSEMBLY COMPLETE	1	
9	13517	LEG ADJUSTER DOUBLE LEVER ONLY	1	
10	13514	LEG ADJUSTER LINKAGE	1	
11	13515	LEG ADJUSTER HANDLE	1	
12	13518	LEG PIN ASSEMBLY	1	
13	13520	RIGHT LEG ONLY	1	
14	13523	LEFT LEG ONLY	1	
15	13552	FOOTRAY COMPLETE	1	
16	311.32210	FRONT CASTOR 75mm PLAIN TWIN	1	
17	13526	REAR BRAKED CASTOR - 100mm TWIN	1	
18	13540	ACTUATOR - LINAK LA32	1	
19	14042	HANDCONTROL - LINAK 8 PIN	1	
20	14052	BATTERY - 6V 12AHR	1	
21	13550	CONTROL BOX ASSEMBLY COMPLETE		
22	13545	CONTROL PCB - LINAK CS1600-14-24 (TURNED DOWN - 9A)	1	
23	13542	CONTROL PCB - CLARKES	1	
24	17543	BLEEPER PCB	1	
25	13566	HANDCONTROL SOCKET (EXTENDED TYPE)	1	
26	13567	CHARGING SOCKET (JACKTYPE)	1	
27	808003.10018	FUSEHOLDER COMPLETE	Kit	
28	335.00020	FUSE 25A	10	
ND	14062	CHARGER - UK 240V - JACK PLUG	1	
ND	14065	CHARGER - EURO 220V - JACK PLUG	1	
ND	14068	CHARGER - USA 110V - JACK PLUG	1	



# OXFORD STANDAID 135



This illustration and accompanying text set out in this Document is the Property of SUNRISE MEDICAL LTD. and must not be copied or used for manufacturing, tendering or any other purpose without their permission.



SPDWG 48

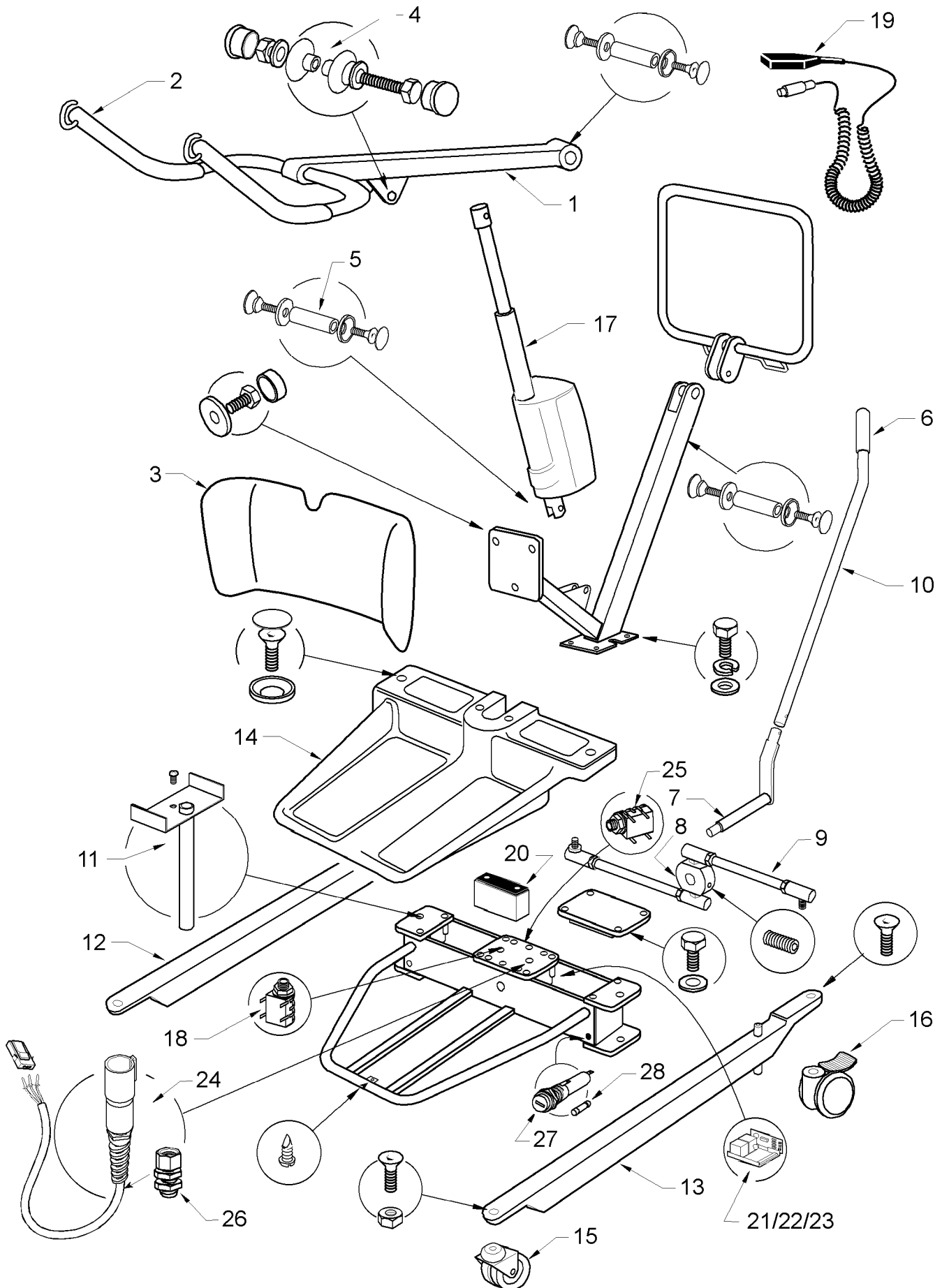
# OXFORD STANDAID 135

ITEM NO.	PART NO.	DESCRIPTION	QTY	SERIAL NO.
<b>SERIAL NUMBERS SA62326 TO SA65873</b>				
1	808003.10094	STANDAID BOOM COMPLETE	Kit	
2	323.12060	HANDGRIP	2	
3	808003.10095	KNEEPAD COMPLETE	1	
4	808003.10097	RAM/BOOM FULCRUM PIN	Kit	
5	808003.10098	RAM/MAST FULCRUM PIN	Kit	
6	323.12040	HAND GRIP (LEG ADJUSTER)	1	
7	13513	LEG ADJUSTER ASSEMBLY COMPLETE	1	
8	13517	LEG ADJUSTER DOUBLE LEVER ONLY	1	
9	13514	LEG ADJUSTER LINKAGE	1	
10	13515	LEG ADJUSTER HANDLE	1	
11	13518	LEG PIN ASSEMBLY	1	
12	13520	RIGHT LEG ONLY	1	
13	13523	LEFT LEG ONLY	1	
14	13552	FOOTRAY COMPLETE	1	
15	311.32210	FRONT CASTOR 75mm PLAIN TWIN	1	
16	13526	REAR BRAKED CASTOR - 100mm TWIN	1	
17	13540	ACTUATOR - LINAK LA32	1	
18	332.00027	ACTUATOR SOCKET	1	
19	14042	HANDCONTROL - LINAK 8 PIN	1	
20	14052	BATTERY - 6V 12AHR	1	
21	13550	CONTROL BOX ASSEMBLY COMPLETE		
22	13545	CONTROL PCB - LINAK CS1600-14-24 (TURNED DOWN - 9A)	1	
23	13542	CONTROL PCB - CLARKES	1	
24	17543	BLEEPER PCB	1	
25	13566	HANDCONTROL SOCKET (EXTENDED TYPE)	1	
26	13567	CHARGING SOCKET (JACKTYPE)	1	
27	13593	CABLE GLAND	1	
28	808003.10018	FUSEHOLDER COMPLETE	Kit	
29	335.00020	FUSE 25A	10	
ND	14062	CHARGER - UK 240V - JACK PLUG	1	
ND	14065	CHARGER - EURO 220V - JACK PLUG	1	
ND	14068	CHARGER - USA 110V - JACK PLUG	1	

# OXFORD STANDAID 135



This illustration and accompanying text set out in this Document is the Property of SUNRISE MEDICAL LTD. and must not be copied or used for manufacturing, tendering or any other purpose without their permission.



SPDWG 48

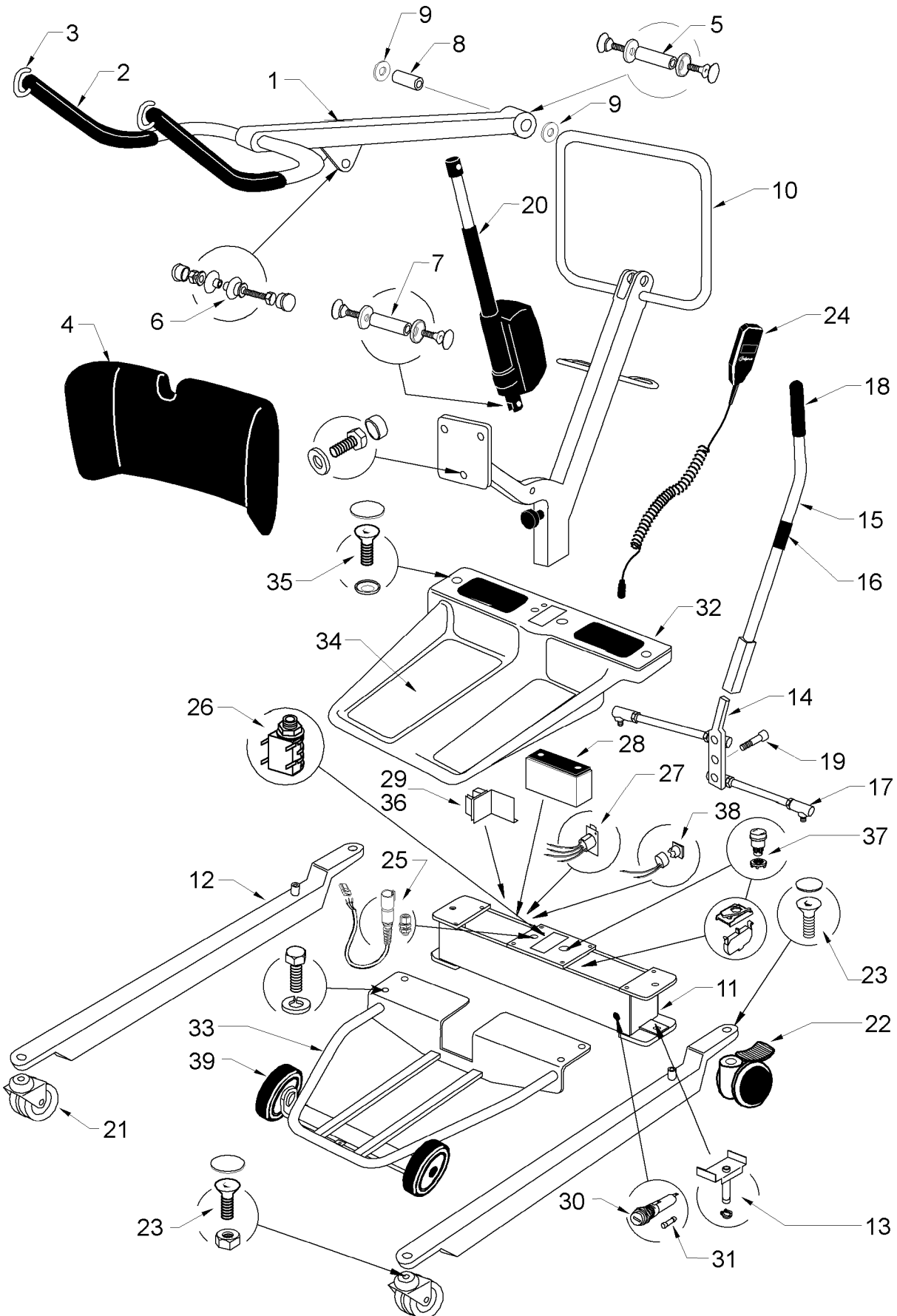
# OXFORD STANDAID 135

ITEM NO.	PART NO.	DESCRIPTION	QTY	SERIAL NO.
<b>SERIAL NUMBERS SA65874 TO SA71500</b>				
1	808003.10094	STANDAID BOOM COMPLETE	Kit	
2	323.12060	HANDGRIP	2	
3	808003.10095	KNEEPAD COMPLETE	1	
4	808003.10097	RAM/BOOM FULCRUM PIN	Kit	
5	808003.10098	RAM/MAST FULCRUM PIN	Kit	
6	323.12040	HAND GRIP (LEG ADJUSTER)	1	
7	13513	LEG ADJUSTER ASSEMBLY COMPLETE	1	
8	13517	LEG ADJUSTER DOUBLE LEVER ONLY	1	
9	13514	LEG ADJUSTER LINKAGE	1	
10	13515	LEG ADJUSTER HANDLE	1	
11	13518	LEG PIN ASSEMBLY	1	
12	13520	RIGHT LEG ONLY	1	
13	13523	LEFT LEG ONLY	1	
14	13552	FOOTRAY COMPLETE	1	
15	311.32210	FRONT CASTOR 75mm PLAIN TWIN	1	
16	13526	REAR BRAKED CASTOR - 100mm TWIN	1	
17	13540	ACTUATOR - LINAK LA32	1	
18	332.00027	ACTUATOR SOCKET	1	
19	14042	HANDCONTROL - LINAK 8 PIN	1	
20	14052	BATTERY - 6V 12AHR	1	
21	13545	CONTROL PCB - LINAK CS1600-14-24 (TURNED DOWN - 9A)	1	
22	13542	CONTROL PCB - CLARKES	1	
23	17543	BLEEPER PCB	1	
24	13566	HANDCONTROL SOCKET (EXTENDED TYPE)	1	
25	13567	CHARGING SOCKET (JACK TYPE)	1	
26	13593	CABLE GLAND	1	
27	808003.10018	FUSEHOLDER COMPLETE	Kit	
28	335.00020	FUSE 25A	10	
ND	14062	CHARGER - UK 240V - JACK PLUG	1	
ND	14065	CHARGER - EURO 220V - JACK PLUG	1	
ND	14068	CHARGER - USA 110V - JACK PLUG	1	

# OXFORD STANDAID 135



This illustration and accompanying text set out in this Document is the Property of SUNRISE MEDICAL LTD. and must not be copied or used for manufacturing, tendering or any other purpose without their permission.



SPDWG 48

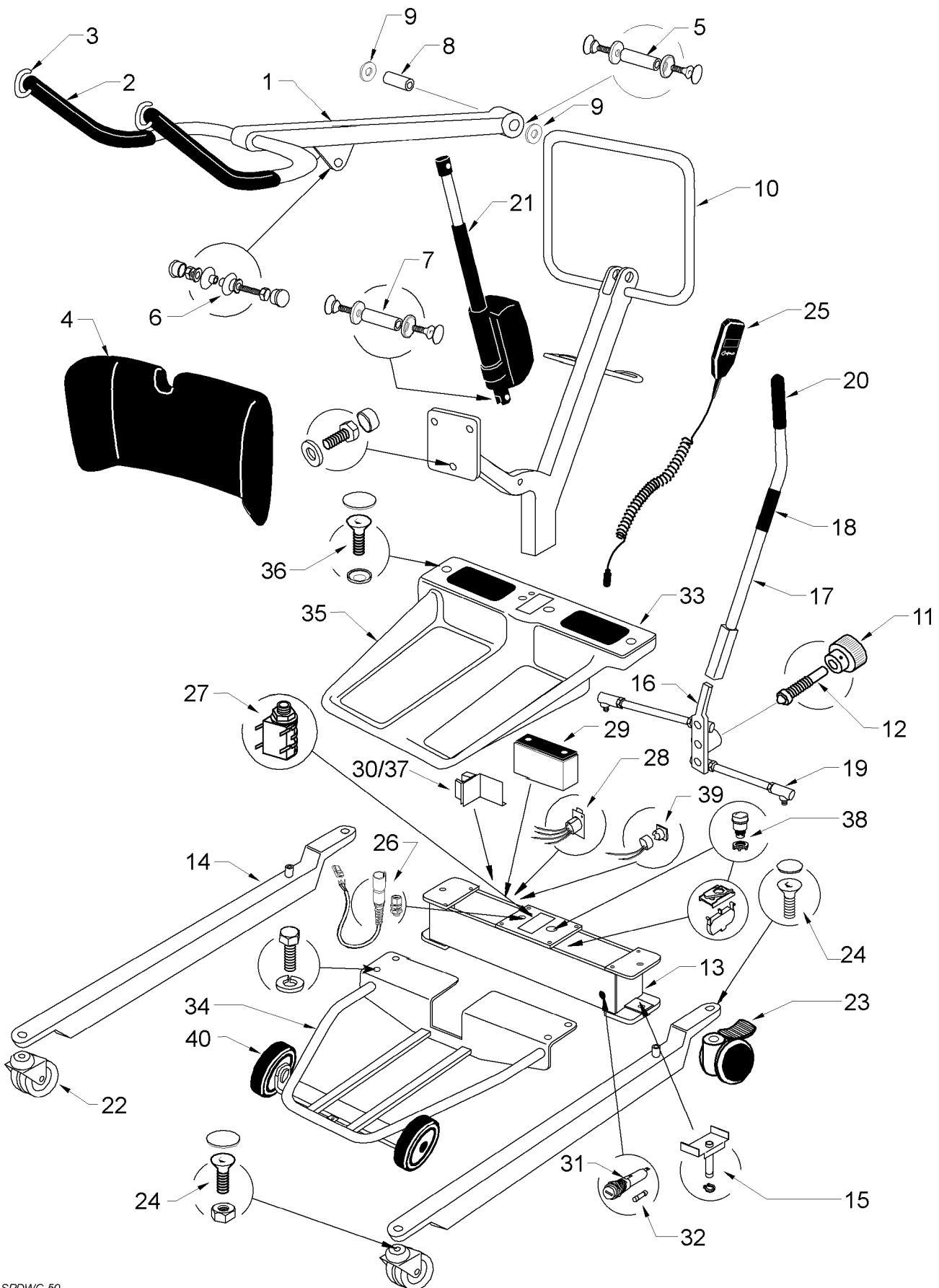
# OXFORD STANDAID 135

ITEM NO.	PART NO.	DESCRIPTION	QTY	SERIAL NO.
<b>SERIAL NUMBERS FROM SA71502 TO SA75294</b>				
1	808003.10094	STANDAID BOOM COMPLETE	Kit	
2	323.12060	HANDGRIP	2	
3	SA-2692	SLING RETAINER LOOP	2	
4	808003.10095	KNEEPAD COMPLETE	Kit	
5	808003.10096	BOOM/MAST FULCRUM PIN COMPLETE	Kit	
6	808003.10097	RAM/BOOM FULCRUM PIN COMPLETE	Kit	
7	808003.10098	RAM/MAST FULCRUM PIN COMPLETE	Kit	
8	SA-2738	BOOM BEARING	1	
9	SA-2695	BOOM BLACK PLASTIC WASHER	1	
10	SA-3566	MAST ONLY	1	
11	17072	CROSSMEMBER ASSEMBLY		
12	MD-2501	LEG ONLY	1	
13	808003.10029	LEG PIVOT PIN COMPLETE	Kit	
14	13604	LEG ADJUSTER PLATE	1	
15	13613	LEG ADJUSTER HANDLE COMPLETE	Kit	
16	240-017	LEG ADJUSTING HANDLE ROLLER	1	
17	EM-2679	LEG ADJUSTER LINKAGE	1	
18	323.12040	LEG ADJUSTER HANDLE GRIP	1	
19	17609	LEG ADJUSTER SHOULDER SCREW	1	
20	338.00014	LA32 ACTUATOR - LINAK	1	
21	311.32210	FRONT CASTORS 75mm PLAIN	2	
22	EM-3700	REAR CASTORS 100mm BRAKED	2	
23	808003.10031	CASTOR FIXINGS	Kit	
24	14042	HANDCONTROL	1	
25	13566	EXTENDED HANDCONTROL SOCKET	1	
26	332.00027	ACTUATOR SOCKET	1	
27	187.10000	CHARGING SOCKET (4 PIN XLR)	1	
28	337.00045	BATTERY 12VDC 7 AHR	1	
29	332.00035	CONTROL PCB EDGE CONNECTOR	1	
30	808003.10018	FUSEHOLDER COMPLETE	Kit	
31	335.00020	FUSE 25 A	10	
32	808003.10101	FOOTRAY COMPLETE	Kit	
33	808003.100102	FOOTRAY BRACKET ASSEMBLY	Kit	
34	808003.10103	FOOTRAY GRIPS	Kit	
35	808003.10038	CROSSMEMBER COVER FIXINGS	Kit	
36	200001.10500	CONTROL PCB - CLARKES	1	
37	808003.10017	EMERGENCY STOP SWITCH COMPLETE	Kit	
38	215-032	DESCENT BUTTON	1	
39	13603	5TH & 6TH WHEELS COMPLETE	Kit	

# OXFORD STANDAID 135 MARK II



This illustration and accompanying text set out in this Document is the Property of SUNRISE MEDICAL LTD. and must not be copied or used for manufacturing, tending or any other purpose without their permission.



SPDWG 50

# OXFORD STANDAID 135 MARK II

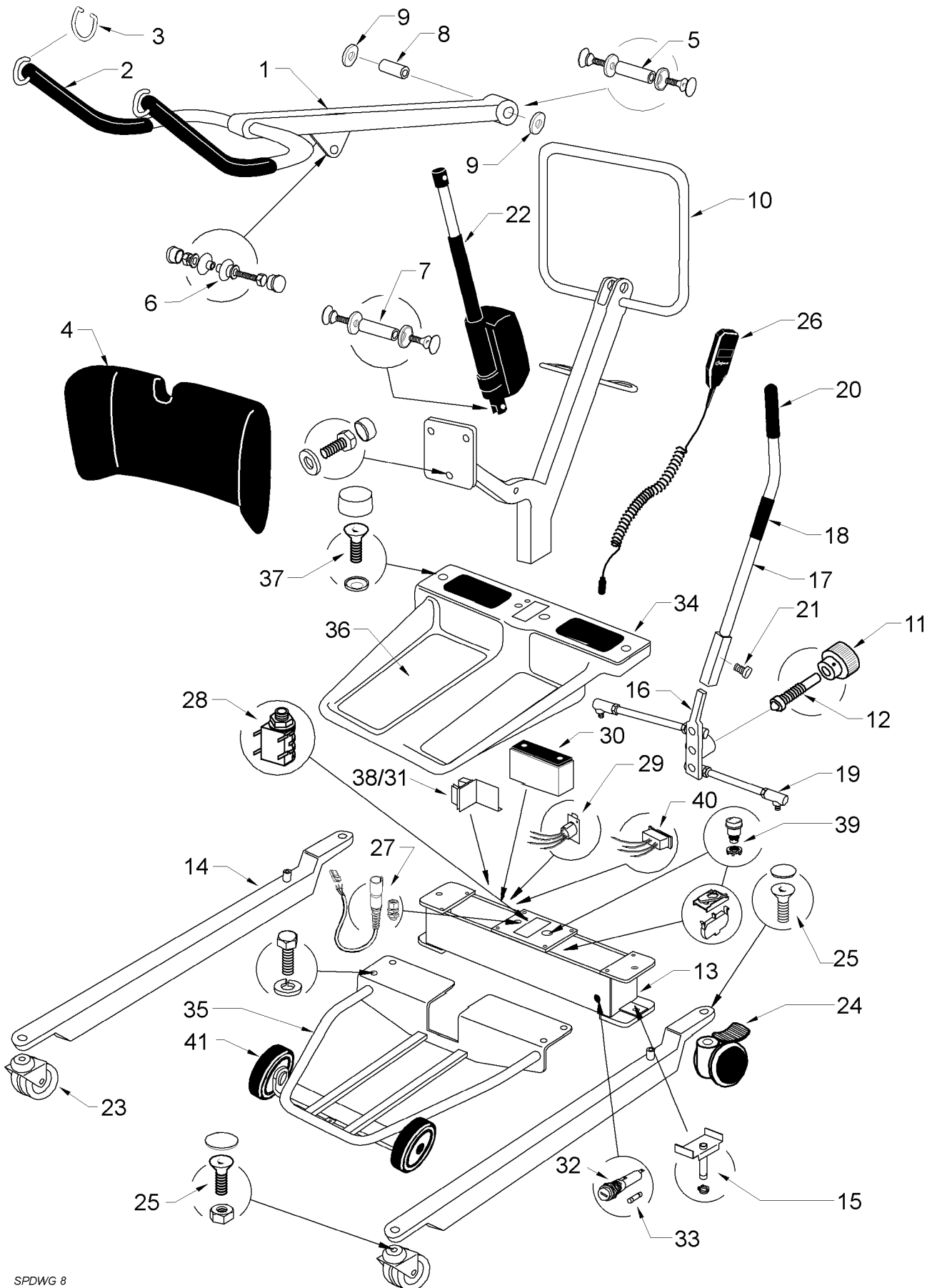
ITEM NO.	PART NO.	DESCRIPTION	QTY	SERIAL NO.
<b>SERIAL NUMBERS FROM SA75295 TO SA84581</b>				
1	808003.10094	STANDAID BOOM COMPLETE	Kit	
2	323.12060	HANDGRIP	2	
3	SA-2692	SLING RETAINER LOOP	2	
4	808003.10095	KNEEPAD COMPLETE	Kit	
5	808003.10096	BOOM/MAST FULCRUM PIN COMPLETE	Kit	
6	808003.10097	RAM/BOOM FULCRUM PIN COMPLETE	Kit	
7	808003.10098	RAM/MAST FULCRUM PIN COMPLETE	Kit	
8	SA-2738	BOOM BEARING	1	
9	SA-2695	BOOM BLACK PLASTIC WASHER	1	
10	SA-3566	MAST ONLY	1	
11	322.42040	MAST LOCKING KNOB	1	
12	EM-2468	MAST LOCKING SPINDLE	1	
13	808003.10034	CROSSMEMBER ASSEMBLY		
14	MD-2501	LEG ONLY	1	
15	808003.10029	LEG PIVOT PIN COMPLETE	Kit	
16	13612	LEG ADJUSTER PLATE	1	
17	13613	LEG ADJUSTER HANDLE COMPLETE	Kit	
18	240-017	LEG ADJUSTING HANDLE ROLLER	1	
19	EM-2679	LEG ADJUSTER LINKAGE	1	
20	323.12040	LEG ADJUSTER HANDLE GRIP	1	
21	338.00014	LA32 ACTUATOR - LINAK	1	
22	311.32210	FRONT CASTORS 75mm PLAIN	2	
23	EM-3700	REAR CASTORS 100mm BRAKED	2	
24	808003.10031	CASTOR FIXINGS	Kit	
25	14042	HANDCONTROL	1	
26	13566	EXTENDED HANDCONTROL SOCKET	1	
27	332.00027	ACTUATOR SOCKET	1	
28	187.10000	CHARGING SOCKET (4 PIN XLR)	1	
29	337.00045	BATTERY 12 VDC 7 AHR	1	
30	332.00035	CONTROL PCB EDGE CONNECTOR	1	
31	808003.10018	FUSEHOLDER COMPLETE	Kit	
32	335.00020	FUSE 25 A	10	
33	808003.10101	FOOTRAY COMPLETE	Kit	
34	808003.10102	FOOTRAY BRACKET ASSEMBLY	Kit	
35	808003.10103	FOOTRAY GRIPS	Kit	
36	808003.10038	CROSSMEMBER COVER FIXINGS	Kit	
37	200001.10500	CONTROL PCB - CLARKES	1	
38	808003.10017	EMERGENCY STOP SWITCH COMPLETE	Kit	
39	215-032	DESCENT BUTTON	1	
40	13603	5TH & 6TH WHEELS COMPLETE	Kit	



# OXFORD STANDAID 135 MARK II



This illustration and accompanying text set out in this Document is the Property of SUNRISE MEDICAL LTD. and must not be copied or used for manufacturing, tending or any other purpose without their permission.



SPDWG 8

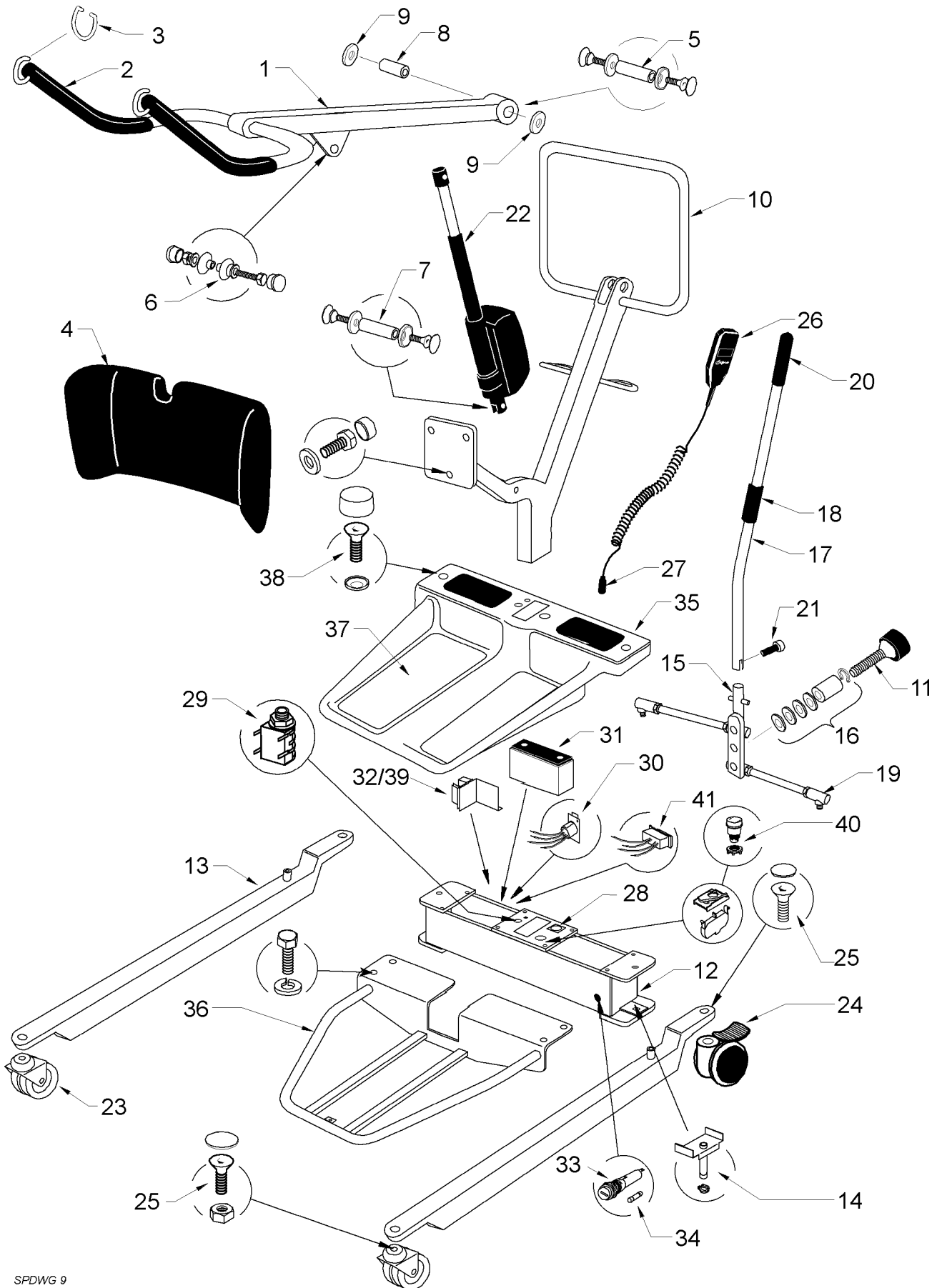
# OXFORD STANDAID 135 MARK II

ITEM NO.	PART NO.	DESCRIPTION	QTY	SERIAL NO.
<b>SERIAL NUMBERS FROM SA84582 TO 15000</b>				
1	808003.10094	STANDAID BOOM COMPLETE	Kit	
2	323.12060	HANDGRIP	2	
3	SA-2692	SLING RETAINER LOOP	2	
4	808003.10095	KNEEPAD COMPLETE	Kit	
5	808003.10096	BOOM/MAST FULCRUM PIN COMPLETE	Kit	
6	808003.10097	RAM/BOOM FULCRUM PIN COMPLETE	Kit	
7	808003.10098	RAM/MAST FULCRUM PIN COMPLETE	Kit	
8	SA-2738	BOOM BEARING	1	
9	SA-2695	BOOM BLACK PLASTIC WASHER	1	
10	SA-3566	MAST ONLY	1	
11	322.42040	MAST LOCKING KNOB	1	
12	EM-2468	MAST LOCKING SPINDLE	1	
13	808003.10034	CROSSMEMBER ASSEMBLY	Kit	
14	MD-2501	LEG ONLY	1	
15	808003.10029	LEG PIVOT PIN COMPLETE	Kit	
16	SA-2584	LEG ADJUSTER PLATE	1	
17	808003.10099	LEG ADJUSTER HANDLE COMPLETE	Kit	
18	808003.10100	LEG ADJUSTING HANDLE ROLLER AND FITTINGS	1	
19	EM-2679	LEG ADJUSTER LINKAGE	1	
20	323.12040	LEG ADJUSTER HANDLE GRIP	1	
21	211.43350	LEG ADJUSTER HANDLE RETAINING SCREW	1	
22	338.00014	LA32 ACTUATOR - LINAK	1	
23	311.32210	FRONT CASTORS 75mm PLAIN	2	
24	EM-3700	REAR CASTORS 100mm BRAKED	2	
25	808003.10031	CASTOR FIXINGS	Kit	
26	14042	HANDCONTROL	1	
27	13566	EXTENDED HANDCONTROL SOCKET	1	
28	332.00027	ACTUATOR SOCKET	1	
29	187.10000	CHARGING SOCKET (4 PIN XLR)	1	
30	337.00045	BATTERY 12 VDC 7 AHR	1	
31	332.00035	CONTROL PCB EDGE CONNECTOR	1	
32	808003.10018	FUSEHOLDER COMPLETE	Kit	
33	335.00020	FUSE 25 A	10	
34	808003.10101	FOOTRAY COMPLETE	Kit	
35	808003.100102	FOOTRAY BRACKET ASSEMBLY	Kit	
36	808003.10103	FOOTRAY GRIPS	Kit	
37	808003.10038	CROSSMEMBER COVER FIXINGS	Kit	
38	200001.10500	CONTROL PCB - CLARKES	1	
39	808003.10017	EMERGENCY STOP SWITCH COMPLETE	Kit	
40	333.00020	EMERGENCY DOWN SWITCH (ROCKER )	1	
41	13603	5TH & 6TH WHEELS COMPLETE	Kit	

# OXFORD STANDAID 135 MARK II



This illustration and accompanying text set out in this Document is the Property of SUNRISE MEDICAL LTD. and must not be copied or used for manufacturing, tending or any other purpose without their permission.



SPDWG 9

# OXFORD STANDAID 135 MARK II

ITEM NO.	PART NO.	DESCRIPTION	QTY	SERIAL NO.
		<b>SERIAL NUMBERS FROM SA15000 TO .....</b>		
1	808003.10094	STANDAID BOOM COMPLETE	Kit	
2	323.12060	HANDGRIP	2	
3	SA-2692	SLING RETAINER LOOP	2	
4	808003.10095	KNEEPAD COMPLETE	Kit	
5	808003.10096	BOOM/MAST FULCRUM PIN COMPLETE	Kit	
6	808003.10097	RAM/BOOM FULCRUM PIN COMPLETE	Kit	
7	808003.10098	RAM/MAST FULCRUM PIN COMPLETE	Kit	
8	SA-2738	BOOM BEARING	1	
9	SA-2695	BOOM BLACK PLASTIC WASHER	1	
10	SA-3566	MAST ONLY	1	
11	324.02026	MAST LOCKING KNOB	1	
12	808003.10104	CROSSMEMBER ASSEMBLY	Kit	
13	MD-2501	LEG ONLY	1	
14	808003.10029	LEG PIVOT PIN COMPLETE	Kit	
15	808003.10105	LEG ADJUSTER PLATE	1	
16	808003.10010	LEG ADJUSTER SPRING ASSEMBLY	1	
17	808003.10106	LEG ADJUSTER HANDLE COMPLETE	Kit	
18	808003.10012	LEG ADJUSTING HANDLE ROLLER AND FITTINGS	Kit	
19	EM-2679	LEG ADJUSTER LINKAGE	1	
20	323.12040	LEG ADJUSTER HANDLE GRIP	1	
21	211.43350	LEG ADJUSTER HANDLE RETAINING SCREW	1	
22	338.00014	LA32 ACTUATOR - LINAK	1	
23	311.32210	FRONT CASTORS 75mm PLAIN	2	
24	EM-3700	REAR CASTORS 100mm BRAKED	2	
25	808003.10031	CASTOR FIXINGS	Kit	
26	EM-3629	HANDCONTROL	1	
27	000184.4005	HANDCONTROL PLUG	1	
28	EL-3726	HANDCONTROL SOCKET (3 PIN AXL)	1	
29	332.00027	ACTUATOR SOCKET	1	
30	187.10000	CHARGING SOCKET (4 PIN XLR)	1	
31	337.00045	BATTERY 12VDC 7 AHR	1	
32	332.00035	CONTROL PCB EDGE CONNECTOR	1	
33	808003.10018	FUSEHOLDER COMPLETE	Kit	
34	335.00020	FUSE 25 A	10	
35	808003.10107	FOOTRAY COMPLETE	Kit	
36	808003.10102	FOOTRAY BRACKET ASSEMBLY	Kit	
37	808003.10103	FOOTRAY GRIPS	Kit	
38	808003.10038	CROSSMEMBER COVER FIXINGS	Kit	
39	200001.10500	CONTROL PCB - CLARKES	1	
40	808003.10017	EMERGENCY STOP SWITCH COMPLETE	Kit	
41	333.00020	EMERGENCY DOWN SWITCH (ROCKER)	1	

This page is intentionally blank

# CHAPTER 11 : OXFORD POOLSIDE DIPPER

---



Sunrise Medical is ISO 9001 certified, which ensures quality at all stages of the development and production of this hoist.

## Contents

MODEL	SERIAL NO. RANGE	PAGE
OXFORD POOLSIDE DIPPER		11.3

## IMPORTANT

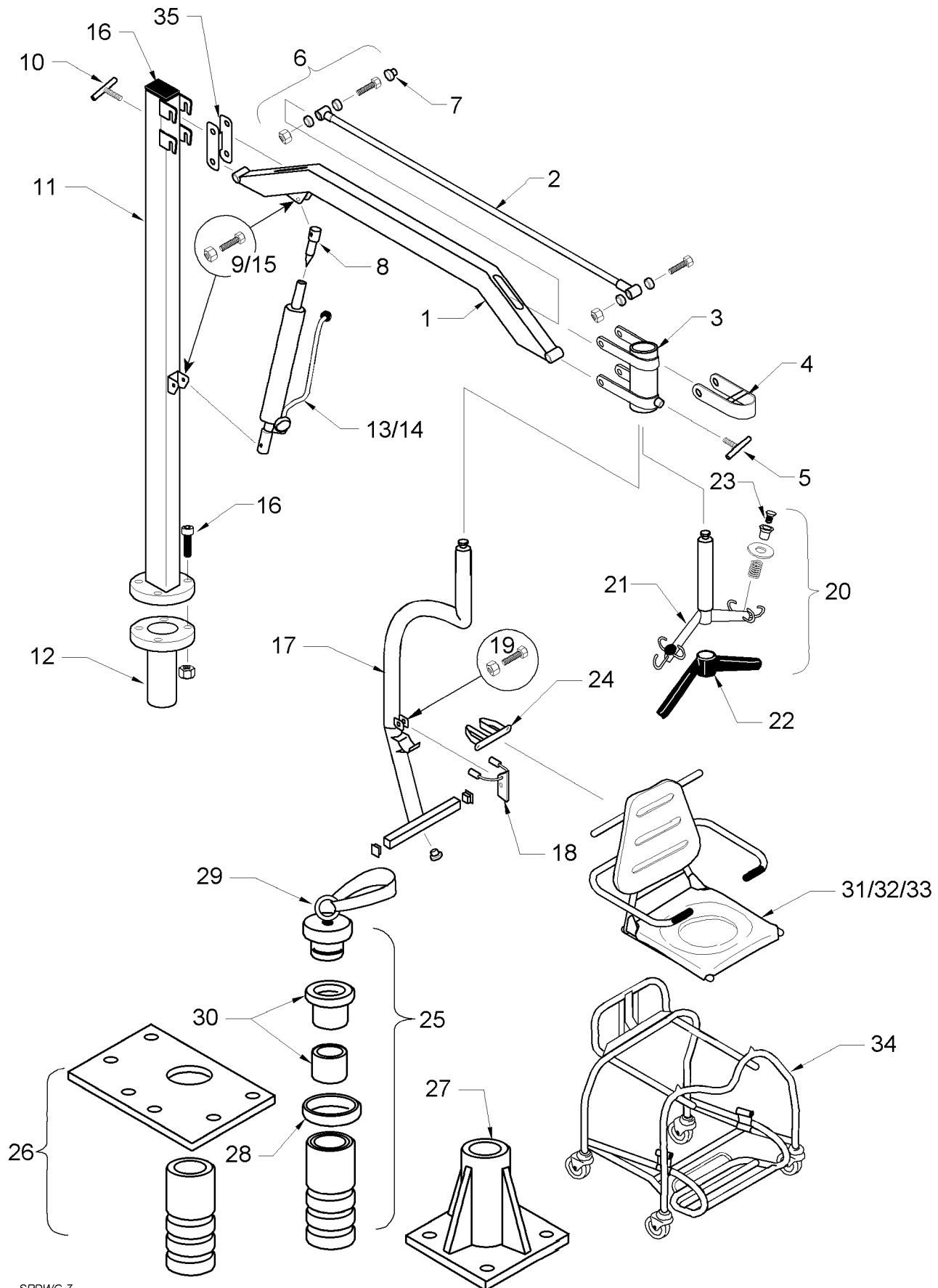
IT IS POTENTIALLY HAZARDOUS TO FIT OR USE ANY PARTS OTHER THAN GENUINE SUNRISE MEDICAL PARTS. THE COMPANY DISCLAIMS ALL LIABILITY FOR THE CONSEQUENCES OF SUCH USE, WHICH IN ADDITION VOIDS THE MACHINE WARRANTY.

THIS HOIST IS FOR THE CARRIAGE OF ONE PERSON AND MUST NOT BE USED FOR ANY OTHER PURPOSE.

# OXFORD POOLSIDE DIPPER



This illustration and accompanying text set out in this Document is the Property of SUNRISE MEDICAL LTD. and must not be copied or used for manufacturing, tendering or any other purpose without their permission.



SPDWG 7

# OXFORD POOLSIDE DIPPER

ITEM NO.	PART NO.	DESCRIPTION	QTY	SERIAL NO.
1	DT-1120	BOOM ONLY	1	
2	DT-1132	LINK ROD	1	
3	DT-1173	CHAIR SUPPORT SOCKET	1	
4	DT-1176	SAFETY LATCH - CHAIR SUPPORT	1	
5	808003.10108	"T" BAR SCREW - SMALL -	Kit	
6	808003.10109	BOOM FIXINGS & FITTINGS	Kit	
7	000322.41030	10mm WHITE PLASTIC CAPS	20	
8	DT-1229	RAM EXTENSION	1	
9	808003.10110	RAM/BOOM FIXING	Kit	
10	808003.10111	"T" BAR SCREW - LARGE -	Kit	
11	808003.10112	MAST ONLY -	Kit	
12	808003.10113	MAST PIVOT PIN	Kit	
13	HY-3572	DIPPER HYDRAULIC UNIT	1	
14	808003.10114	DIPPER HYDRAULIC UNIT - SERVICE EXCHANGE	1	
15	808003.10115	RAM/MAST FIXING	Kit	
16	808003.10116	MAST FIXINGS & FITTINGS	Kit	
17	808003.10121	CHAIR SUPPORT TUBE COMPLETE	Kit	
18	808003.10117	SAFETY LATCH - SEAT -	Kit	
19	808003.10118	CHAIR SUPPORT TUBE FIXINGS & FITTINGS	Kit	
20	DT-2413	DIPPER SPREADER BAR COMPLETE ASSEMBLY	1	
21	DT-2410	SPREADER BAR	1	
22	EM-2993	SPREADER BAR COVER (BLACK)	1	
23	808003.10013	SLING RETAINER ASSEMBLY	Kit	
24	50074	SEAT SUPPORT BRACKET	1	
25	OP52000A	"A" SOCKET COMPLETE	1	
26	OP52000B	"B" SOCKET COMPLETE	1	
27	OP52000C	"C" SOCKET COMPLETE	1	
28	DT-2434	SOCKET SURROUND	1	
29	808003.10119	SOCKET BLANKING PLUG	Kit	
30	808003.10120	SOCKET BEARING SET	Kit	
31	OP83004	RANGER SEAT - COMMODE	1	
32	OP83005	RANGER SEAT - PLAIN	1	
33	OP83006	RANGER SEAT - MD	1	
34	OP83007	RANGER TRANSPORTER	1	
-	50070	FULL HARNESS SET	1	
-	50071	LAP STRAP	1	
35	DT-1270	BOOM CARRIER	1	



This page is intentionally blank

# CHAPTER 12 : OXFORD MERMAID & RANGER

---



Sunrise Medical is ISO 9001 certified, which ensures quality at all stages of the development and production of this hoist.

## Contents

MODEL	SERIAL NO. RANGE	PAGE
OXFORD MERMAID AND RANGER - MANUAL		12.3
OXFORD MERMAID AND RANGER - MANUAL		12.5
OXFORD MERMAID AND RANGER - MANUAL		12.7
OXFORD MERMAID AND RANGER - ELECTRIC		12.9
RANGER CHAIR		12.11

## IMPORTANT

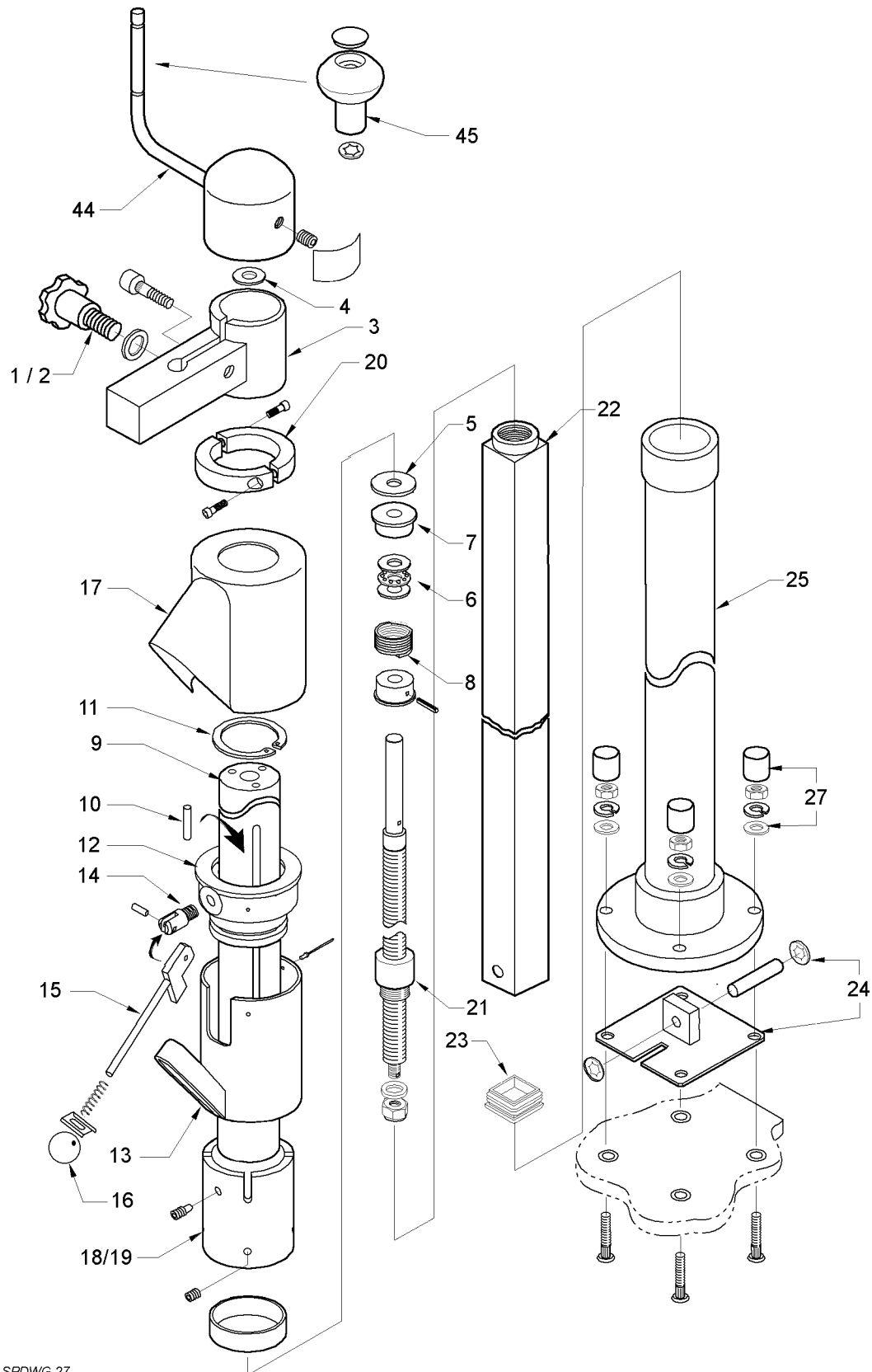
IT IS POTENTIALLY HAZARDOUS TO FIT OR USE ANY PARTS OTHER THAN GENUINE **SUNRISE MEDICAL PARTS**. THE COMPANY DISCLAIMS ALL LIABILITY FOR THE CONSEQUENCES OF SUCH USE, WHICH IN ADDITION VOIDS THE MACHINE WARRANTY.

THIS HOIST IS FOR THE CARRIAGE OF ONE PERSON AND **MUST NOT BE USED FOR ANY OTHER PURPOSE.**

# OXFORD MERMAID & RANGER ATTENDANT OPERATED - MANUAL



This illustration and accompanying text set out in this Document is the Property of SUNRISE MEDICAL LTD. and must not be copied or used for manufacturing, tendering or any other purpose without their permission.



SPDWG 27

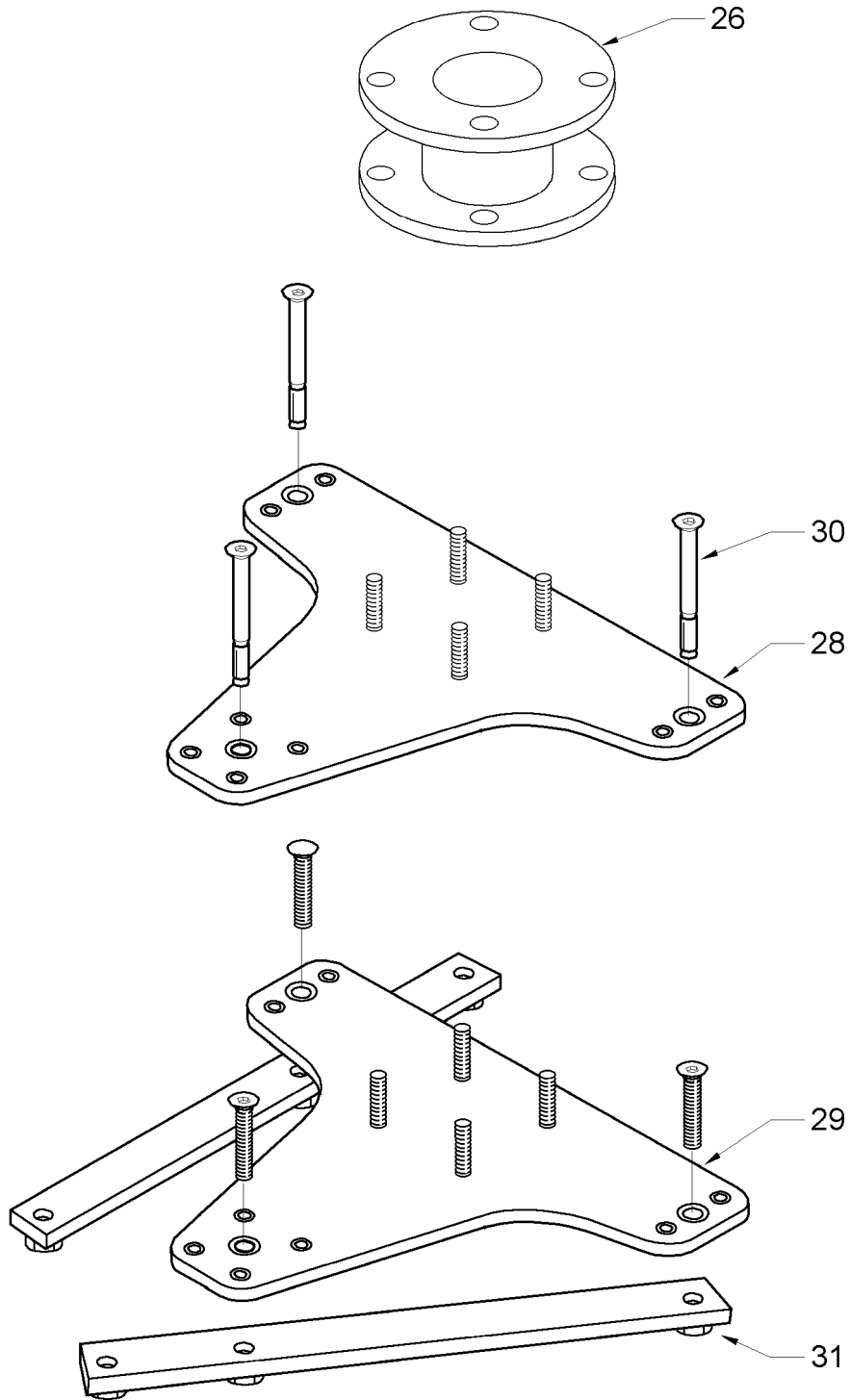
# OXFORD MERMAID & RANGER ATTENDANT OPERATED - MANUAL

ITEM NO.	PART NO.	DESCRIPTION	QTY	SERIAL NO.
1	80008	SEAT ARM SECURITY SCREW (5/16 UNF)	1	
2	324.02010	SEAT ARM SECURITY SCREW (M8)	1	
3	808003.10052	SEAT SUPPORT CLAMP	Kit	
4	381.40020	THRUST WASHER - PTFE	1	
5	381.30040	THRUST WASHER - BRONZE	1	
6	381.10030	THRUST BEARING	1	
7	MX-0176	THRUST COLLAR	1	
8	MX-0177	CLUTCH DRIVE SPRING	1	
9	808003.10053	SLIDING TUBE ASSEMBLY	Kit	
10	MX-0324	SLIDING TUBE KEY	3	
11	219.19015	CIRCLIP	1	
12	808003.10054	COLUMN HUB ASSEMBLY	Kit	
13	MX-0333	LATCH TUBE	1	
14	808003.10055	LATCH CLEVIS	Kit	
15	808003.10056	LOCKING HANDLE COMPLETE	Kit	
16	322.11010	WHITE KNOB	10	
17	MX-0336	LATCH COVER	1	
18	808003.10057	COLUMN COLLAR (4 POSITION)	Kit	
19	808003.10058	COLUMN COLLAR (8 POSITION)	Kit	
20	808003.10059	STOP COLLAR	Kit	
21	808003.10060	LEADSCREW AND NUT ASSEMBLY	Kit	
22	MX-0307	SQUARE LEADSCREW TUBE	1	
23	322.22020	GREASE BUNG	1	
24	808003.10061	RETAINING PLATE ASSEMBLY	Kit	
25	MX-0302	COLUMN ONLY	1	
27	808003.10063	COLUMN/BASEPLATE FIXINGS	Kit	
44	808003.10076	ATTENDANT WINDING HANDLE COMPLETE	Kit	
45	324.02030	PLASTIC WINDING HANDLE	1	
46	808003.10077	MERMAID SEAT FIXINGS & TRIMS	Kit	
47	808003.10078	COMMODE SEAT FIXINGS & TRIMS	Kit	

# OXFORD MERMAID & RANGER ATTENDANT OPERATED - MANUAL



This illustration and accompanying text set out in this Document is the Property of SUNRISE MEDICAL LTD. and must not be copied or used for manufacturing, tendering or any other purpose without their permission.



SPDWG 28

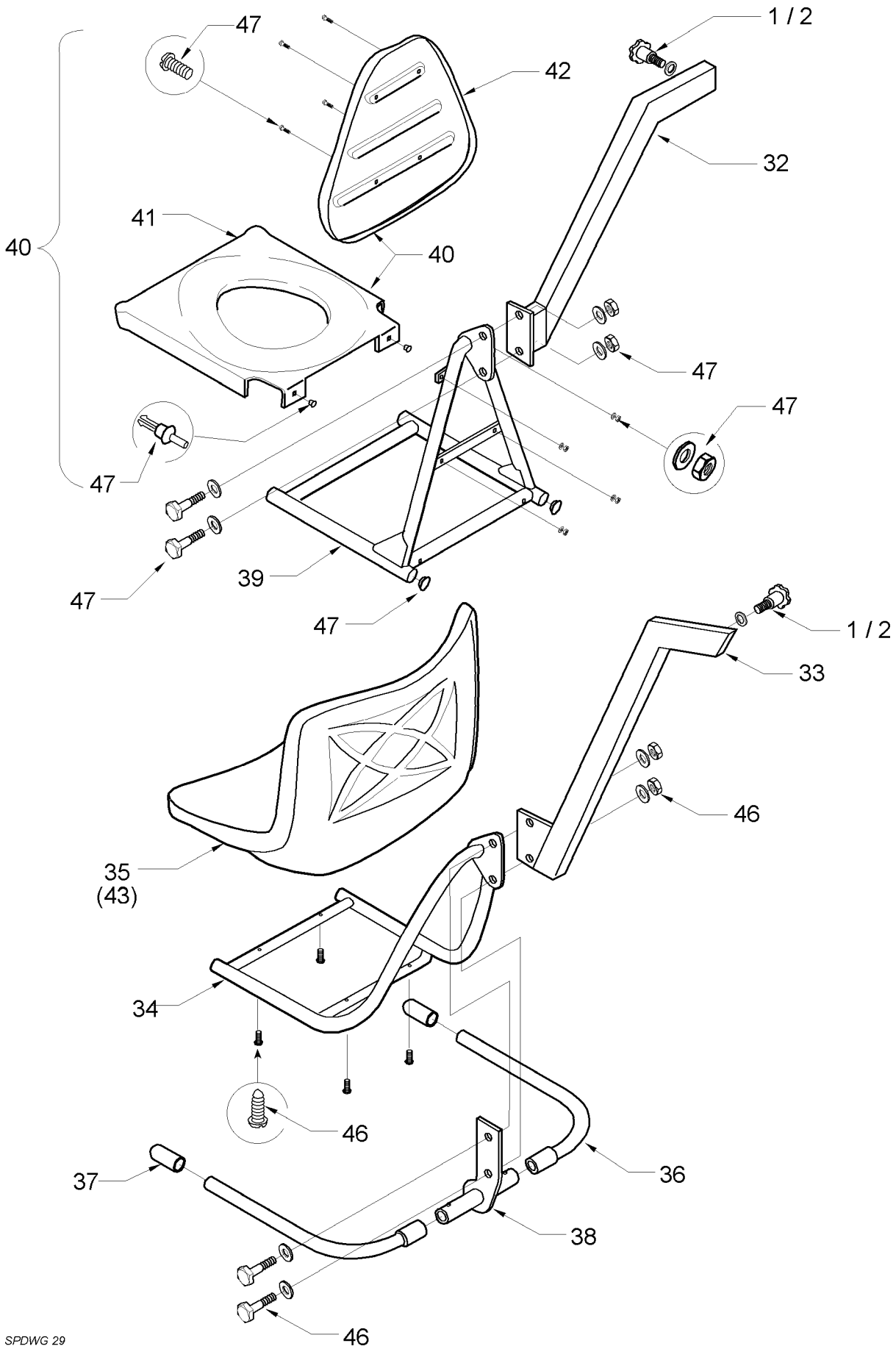
# OXFORD MERMAID & RANGER ATTENDANT OPERATED - MANUAL

ITEM NO.	PART NO.	DESCRIPTION	QTY	SERIAL NO.
26	808003.10062	75mm COLUMN EXTENSION	Kit	
28	808003.10064	UNIVERSAL BASEPLATE FOR CONCRETE FLOOR	Kit	
29	808003.10065	UNIVERSAL BASEPLATE FOR WOOD FLOOR	Kit	
30	211.16915	CONCRETE FLOOR BOLTS (LIEBIG SK15/70)	3	
31	808003.10066	WOOD FLOOR FIXING STRAPS	Kit	

# OXFORD MERMAID & RANGER ATTENDANT OPERATED - MANUAL



This illustration and accompanying text set out in this Document is the Property of SUNRISE MEDICAL LTD. and must not be copied or used for manufacturing, tendering or any other purpose without their permission.



SPDWG 29

# OXFORD MERMAID & RANGER ATTENDANT OPERATED - MANUAL

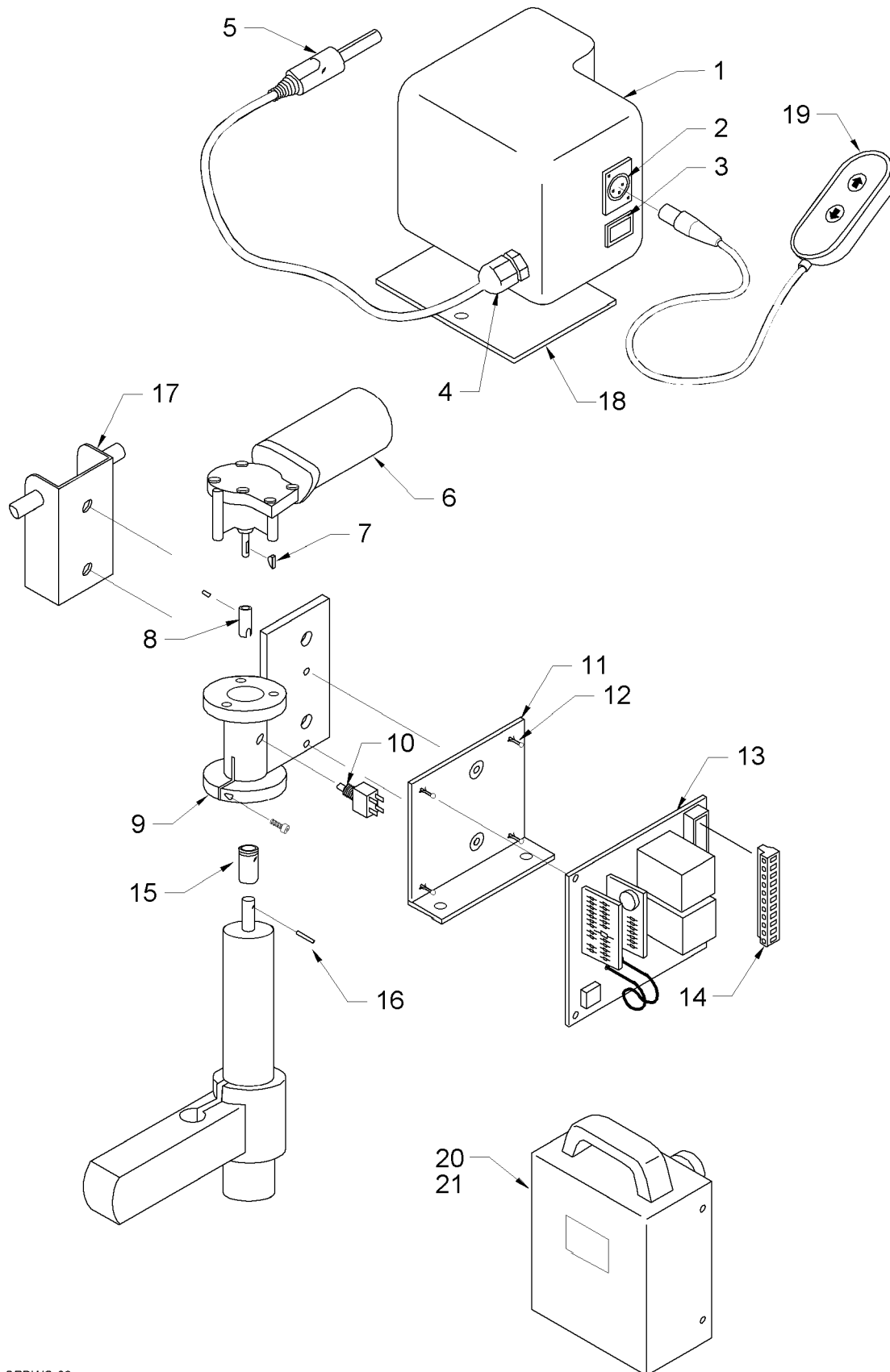
ITEM NO.	PART NO.	DESCRIPTION	QTY	SERIAL NO.
1	80008	SEAT ARM SECURITY SCREW (5/16 UNF)	1	
2	324.02010	SEAT ARM SECURITY SCREW (M8)	1	
32	808003.10067	MERMAID SEAT SUPPORT ARM COMPLETE -SIDE FIT	Kit	
33	808003.10068	MERMAID SEAT SUPPORT ARM COMPLETE - END FIT	Kit	
34	808003.10069	MERMAID SEAT FRAME	Kit	
35	808003.10070	MERMAID PLASTIC SEAT	Kit	
36	808003.10071	SAFETY ARMS COMPLETE	Kit	
37	323.11010	HANDGRIP	1	
38	808003.10072	SAFETY ARMS PIVOT COMPLETE	Kit	
39	808003.10073	MERMAID COMMODE SEAT FRAME	Kit	
40	808003.10074	COMMODE PLASTIC SEAT COMPLETE	Kit	
41	321.21010	SEAT MOULDING	1	
42	321.31010	BACK MOULDING	1	
43	808003.10075	PADDED MERMAID SEAT COMPLETE	Kit	
46	808003.10077	MERMAID SEAT FIXINGS & TRIMS	Kit	
47	808003.10078	COMMODE SEAT FIXINGS & TRIMS	Kit	



# OXFORD MERMAID & RANGER - ELECTRIC



This illustration and accompanying text set out in this Document is the Property of SUNRISE MEDICAL LTD. and must not be copied or used for manufacturing, tendering or any other purpose without their permission.

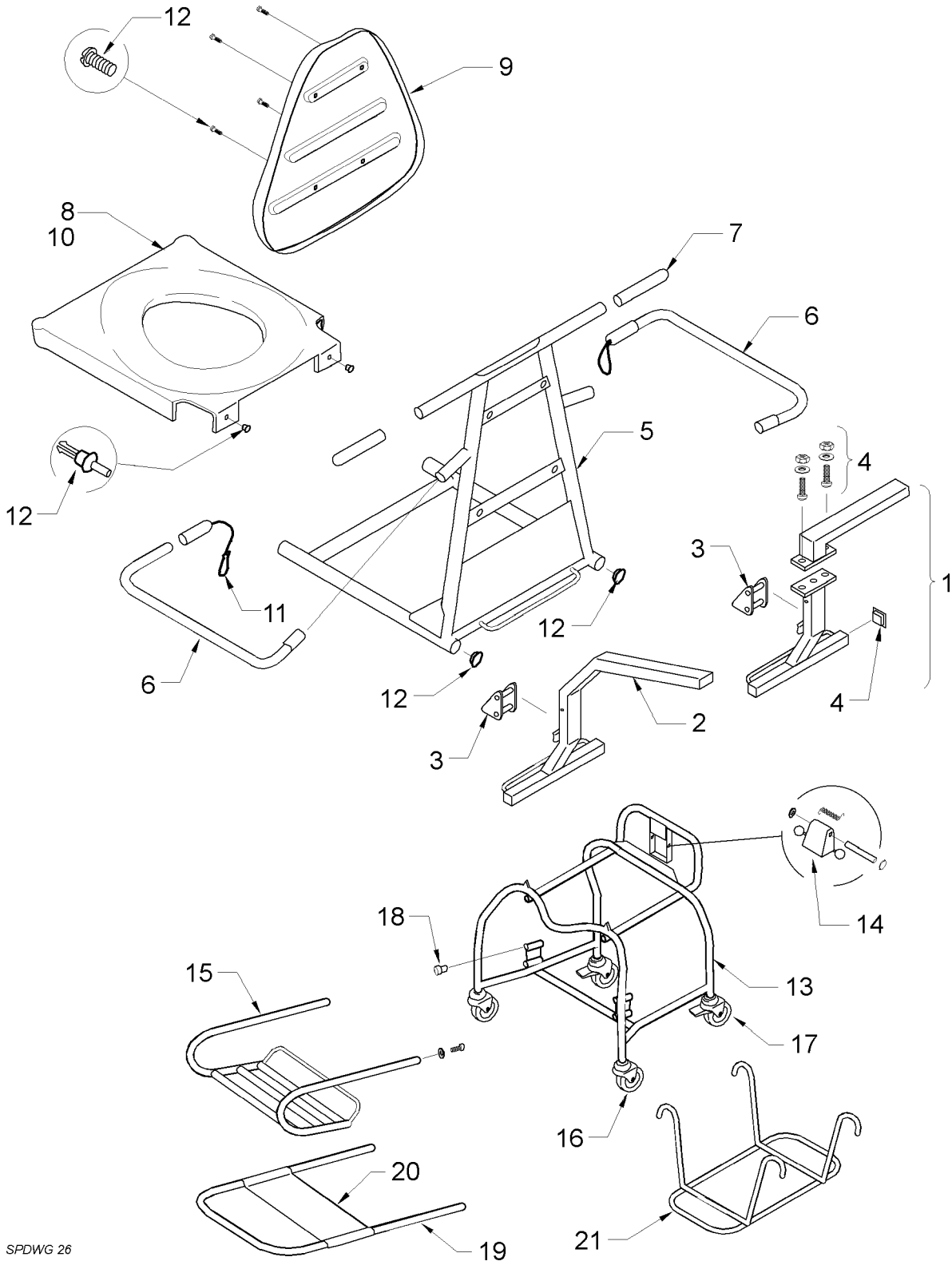


SPDWG 30

# OXFORD MERMAID & RANGER - ELECTRIC

ITEM NO.	PART NO.	DESCRIPTION	QTY	SERIAL NO.
1	MX-3674	PLASTIC MAIN COVER	1	
2	EL-3868	HANDCONTROL SOCKET - (3 PIN AXL - WIRED)	1	
3	EL-3867	EMERGENCY RAISE SWITCH - WIRED	1	
4	331.00009	CABLE GLAND	1	
5	EL-3866	POWER/CHARGER PLUG (STRAIGHT) - WIRED	1	
6	808003.10088	MOTOR COMPLETE	Kit	
7	348.10012	WOODRUFF KEY - MOTOR SHAFT	1	
8	808003.10089	DRIVESHAFT COMPLETE	Kit	
9	808003.10090	MOTOR MOUNTING COMPLETE	Kit	
10	EL-3870	MICROSWITCH LIMIT SWITCH - WIRED	1	
11	808003.10091	PCB MOUNTING PLATE COMPLETE	Kit	
12	934.10201	PCB MOUNTING PILLAR	4	
13	200001.10350	CONTROL PCB - CLARKES	1	
14	332.00035	EDGE CONNECTOR - PCB	1	
15	MX-3607	LEADSCREW COUPLING	1	
16	936.10350	LEADSCREW COUPLING PIN	1	
17	808003.10092	BATTERY BOX MOUNTING BRKT. COMPLETE	Kit	
18	808003.10093	SPLASH GUARD COMPLETE	Kit	
19	MX-3885	HANDCONTROL	1	
20	TS-2923	POWER PACK COMPLETE	1	
21	337-00050	BATTERY 12VDC 3.2AHR	1	

# RANGER CHAIR



SPDWG 26

# RANGER CHAIR

ITEM NO.	PART NO.	DESCRIPTION	QTY	SERIAL NO.
1	808003.10079	RANGER SEAT SUPPORT ARM - SIDE FIT	Kit	
2	808003.10080	RANGER SEAT SUPPORT ARM - END FIT	Kit	
3	808003.10155	ARM SAFETY LATCH COMPLETE	Kit	
4	808003.10156	RANGER ARMS FIXINGS & FITTINGS KIT	Kit	
5	808003.10081	RANGER CHAIR FRAME ONLY	Kit	
6	808003.10082	ARM RESTS COMPLETE	Kit	
7	323.11010	WHITE HAND GRIP	1	
8	321.21010	SEAT MOULDING	1	
9	321.31010	BACK MOULDING	1	
10	83046	SEAT MOULDING (PLAIN)	1	
11	808003.10157	SECURING HOOK COMPLETE	Kit	
12	808003.10087	RANGER SEAT FIXINGS & TRIMS	Kit	
13	DT-0201	TRANSPORTER FRAME ONLY	1	
14	808003.10083	TRANSPORTER SAFETY LATCH	Kit	
15	808003.10084	FOOT REST ASSEMBLY	Kit	
16	311.42110	CASTOR 100mm PLAIN (TENTE)	2	
17	311.41110	CASTOR 100mm BRAKED (TENTE)	2	
-	83039	CASTOR EXPANDING BUSH FITTING	1	
18	DT-2183	FOOT REST BUSH	8	
	808003.10158	TRANSPORTER FIXING & FITTINGS KIT	Kit	
19	808003.10085	MD LEG SUPPORT	Kit	
20	*	LEG SUPPORT FABRIC	2	
-	808003.10086	MD PADDED SEAT COMPLETE	Kit	
-	83042	BED PAN	1	
21	83043	BED PAN CRADLE	1	
	* Order by description only			

This page is intentionally blank

# CHAPTER 13 : OXFORD STOWAWAY

---



Sunrise Medical is ISO 9001 certified, which ensures quality at all stages of the development and production of this hoist.

## Contents

MODEL	SERIAL NO. RANGE	PAGE
OXFORD STOWAWAY - HYDRAULIC		13.3
OXFORD STOWAWAY - ELECTRIC		13.5

## IMPORTANT

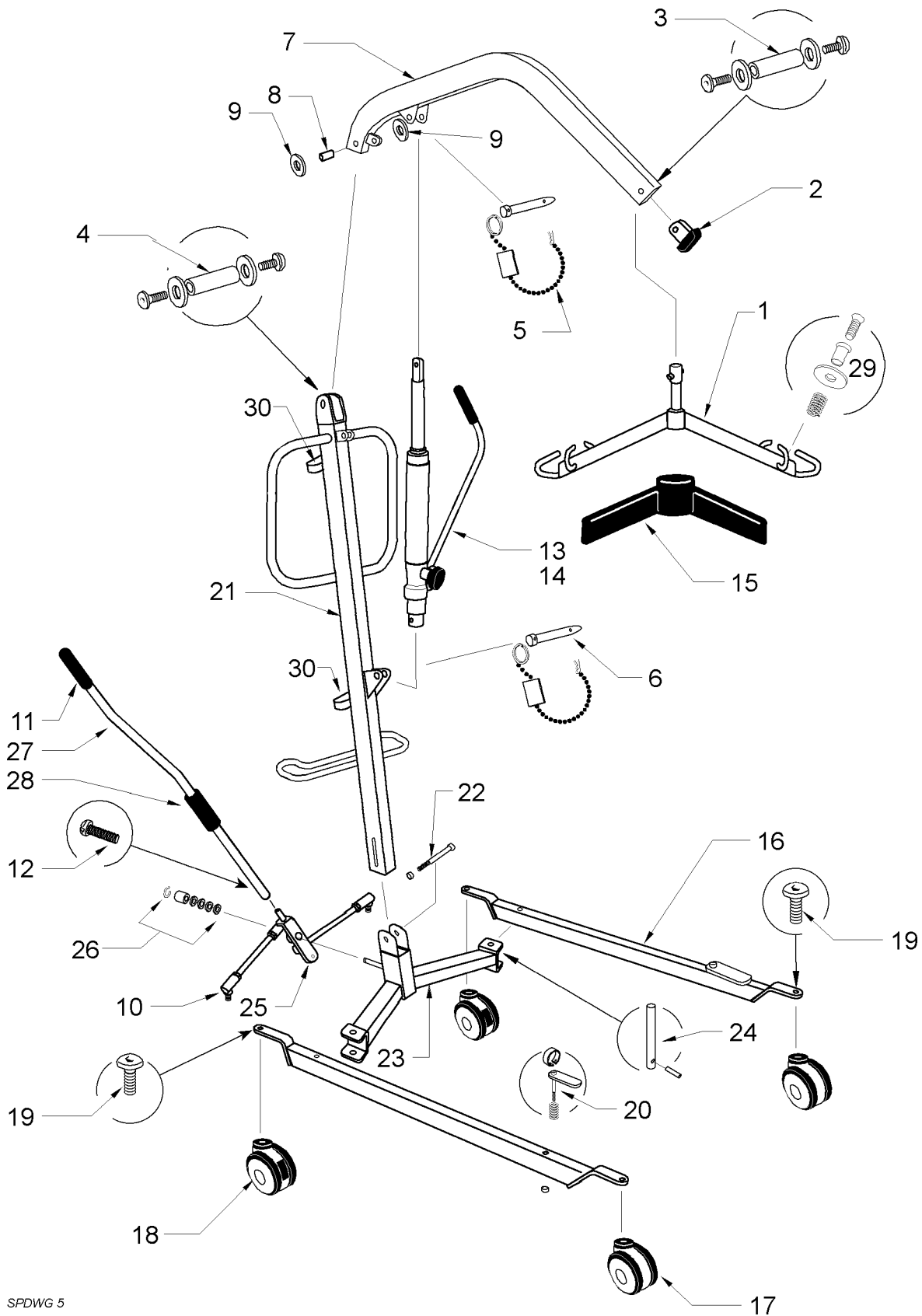
IT IS POTENTIALLY HAZARDOUS TO FIT OR USE ANY PARTS OTHER THAN GENUINE **SUNRISE MEDICAL PARTS**. THE COMPANY DISCLAIMS ALL LIABILITY FOR THE CONSEQUENCES OF SUCH USE, WHICH IN ADDITION VOIDS THE MACHINE WARRANTY.

THIS HOIST IS FOR THE CARRIAGE OF ONE PERSON AND **MUST NOT** BE USED FOR ANY OTHER PURPOSE.

# OXFORD STOWAWAY - HYDRAULIC



This illustration and accompanying text set out in this Document is the Property of SUNRISE MEDICAL LTD. and must not be copied or used for manufacturing, tendering or any other purpose without their permission.



SPDWG 5

# OXFORD STOWAWAY - HYDRAULIC

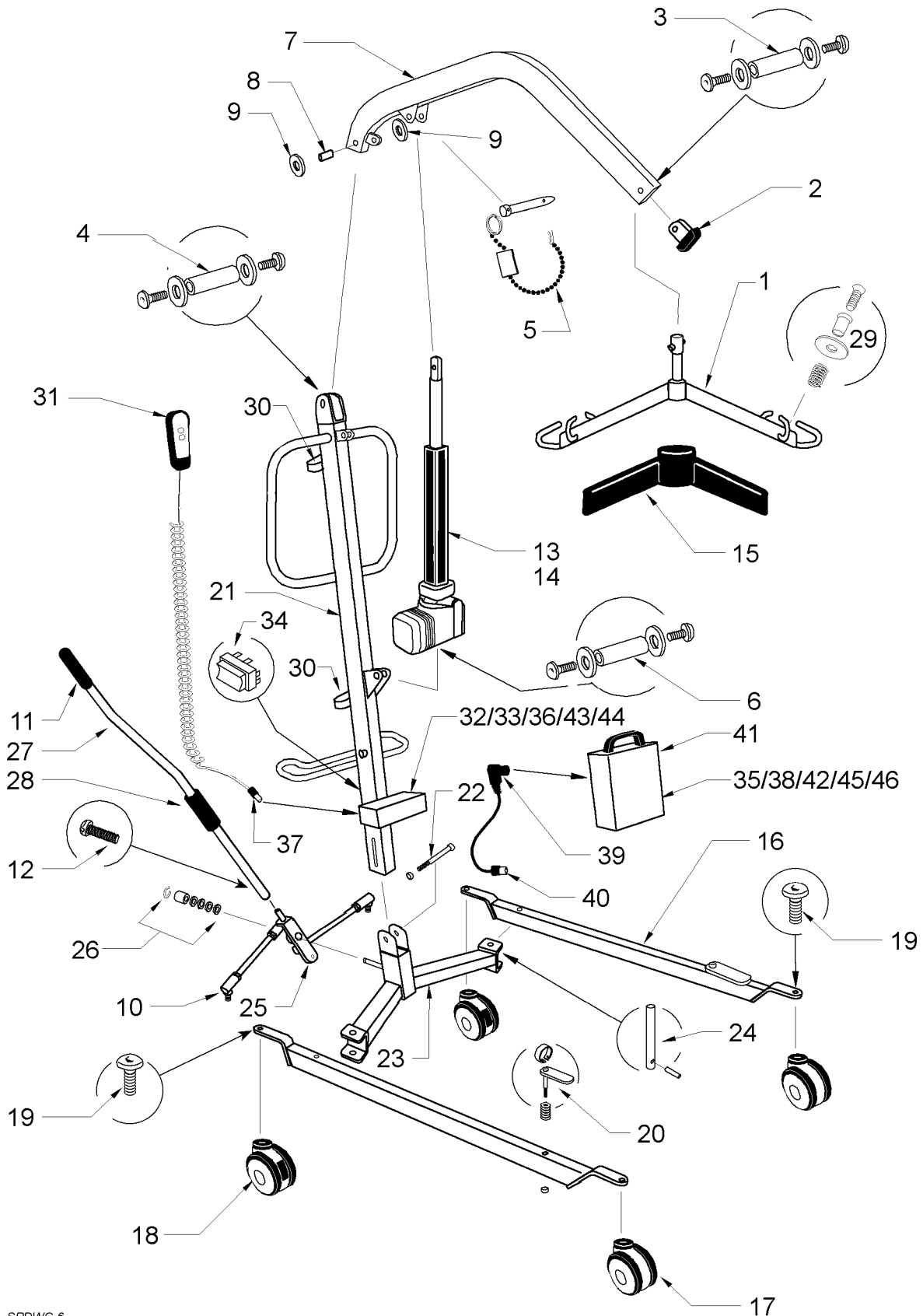
ITEM NO.	PART NO.	DESCRIPTION	QTY	SERIAL NO.
1	808003.10021	SPREADER BAR (WHITE) COMPLETE	Kit	
2	EM-2730	BOOM END CAP	1	
3	808003.10002	SPREADER BAR FULCRUM PIN COMPLETE	Kit	
4	808003.10003	BOOM/MAST FULCRUM PIN COMPLETE	Kit	
5	808003.10122	RAM/BOOM PIN COMPLETE	Kit	
6	808003.10123	RAM/MAST PIN COMPLETE	Kit	
7	ST-3962	BOOM ONLY	1	
8	SA-2738	BOOM BEARING	1	
9	TS-3095	BOOM PLASTIC WASHER	2	
10	EM-2679	LEG ADJUSTER LINKAGE	1	
11	323.12040	LEG ADJUSTER HANDLE GRIP	1	
12	211.43350	RETAINING SCREW - LEG ADJUSTER HANDLE	1	
13	HY-4008	HYDRAULIC UNIT - STOWAWAY -NEW	1	
14	808003.10124	HYDRAULIC UNIT - STOWAWAY - SERVICE EXCHANGE	1	
15	EM-2993	SPREADER BAR COVER (BLACK)	1	
16	ST-3969	LEG ONLY	1	
17	EM3699	FRONT CASTOR - TWIN 100mm PLAIN (DE LUXE)	1	
18	EM3700	REAR CASTOR - TWIN 100mm BRAKED (DE LUXE)	1	
19	808003.10007	CASTOR FIXINGS (100mm)	Kit	
20	808003.10125	LEG LATCH	Kit	
21	ST-3962	MAST ONLY	1	
22	808003.10126	MAST PIVOT	Kit	
23	521001.10127	CROSSMEMBER COMPLETE	1	
24	808003.10008	LEG PIVOT PIN COMPLETE	Kit	
25	808003.10009	LEG ADJUSTER PLATE COMPLETE	Kit	
26	808003.10010	LEG ADJUSTER SPRING ASSEMBLY	Kit	
27	808003.10128	LEG ADJUSTER HANDLE COMPLETE COMPRISING	Kit	
28	808003.10012	LEG ADJUSTER ROLLER AND FITTINGS	Kit	
29	808003.10013	SLING RETAINER ASSEMBLY	Kit	
30	ST-4102	HANDLE CLIPS	2	



# OXFORD STOWAWAY - ELECTRIC



This illustration and accompanying text set out in this Document is the Property of SUNRISE MEDICAL LTD. and must not be copied or used for manufacturing, tendering or any other purpose without their permission.



SPDWG 6

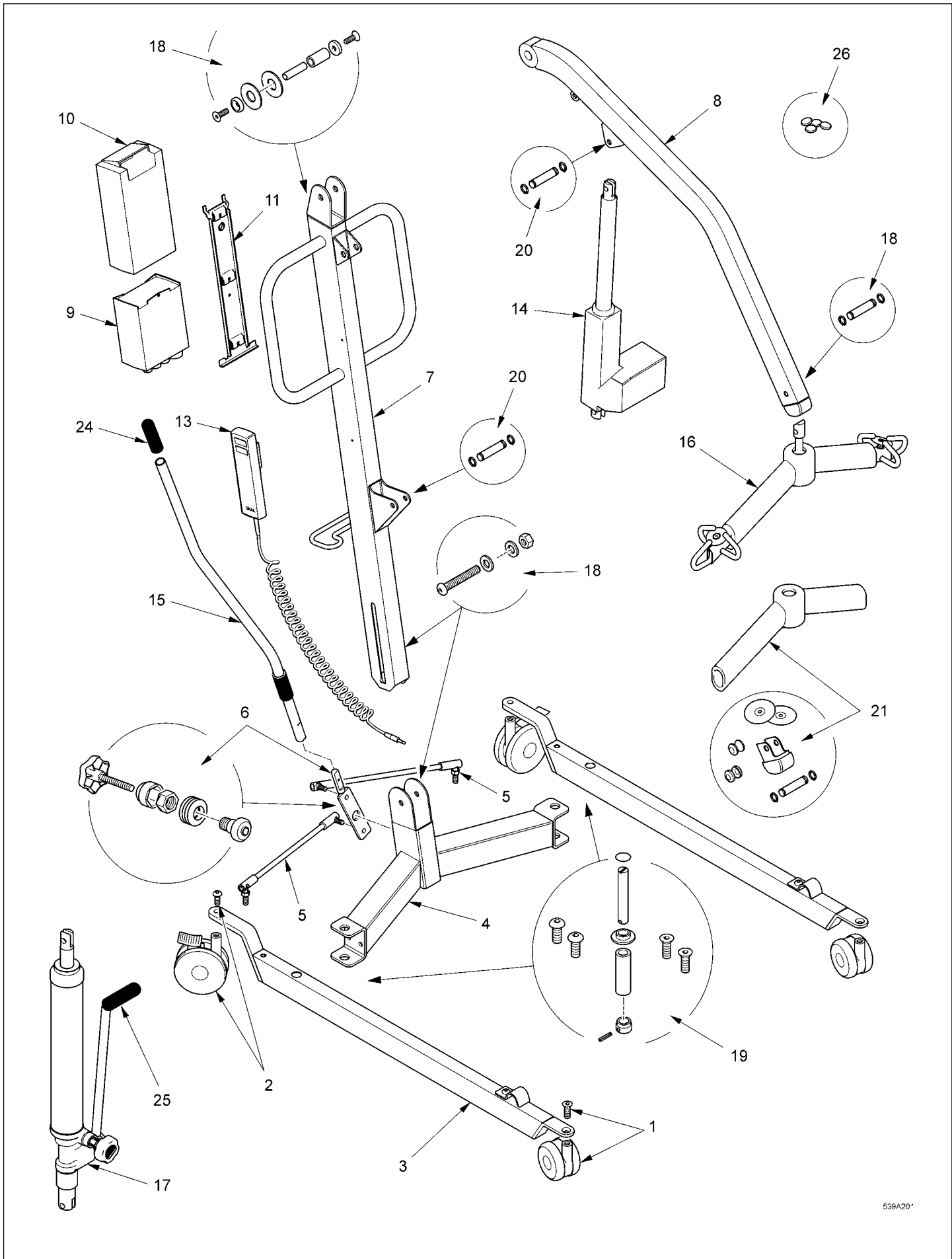
# OXFORD STOWAWAY - ELECTRIC

ITEM NO.	PART NO.	DESCRIPTION	QTY	SERIAL NO.
1	808003.10021	SPREADER BAR (WHITE) COMPLETE	Kit	
2	EM-2730	BOOM END CAP	1	
3	808003.10002	SPREADER BAR FULCRUM PIN COMPLETE	Kit	
4	808003.10003	BOOM/MAST FULCRUM PIN COMPLETE	Kit	
5	808003.10122	RAM/BOOM PIN COMPLETE	Kit	
6	808003.10005	RAM/MAST FULCRUM PIN COMPLETE	Kit	
7	ST-3962	BOOM ONLY	1	
8	SA-2738	BOOM BEARING	1	
9	TS-3095	BOOM PLASTIC WASHER	2	
10	EM-2679	LEG ADJUSTER LINKAGE	1	
11	323.12040	LEG ADJUSTER HANDLE GRIP	1	
12	211.43350	RETAINING SCREW - LEG ADJUSTER HANDLE	1	
13	EL-3739	LINAK LA31 ACTUATOR	1	
14	338.00035	EMS ACTUATOR	1	
15	EM-2993	SPREADER BAR COVER (BLACK)	1	
16	ST-3969	LEG ONLY	1	
17	EM3699	FRONT CASTOR - TWIN 100mm PLAIN (DE LUXE)	1	
18	EM3700	REAR CASTOR - TWIN 100mm BRAKED (DE LUXE)	1	
19	808003.10007	CASTOR FIXINGS (100mm)	Kit	
20	808003.10125	LEG LATCH	Kit	
21	ST-3974	MAST ONLY	1	
22	808003.10126	MAST PIVOT	Kit	
23	521001.10127	CROSSMEMBER COMPLETE	1	
24	808003.10008	LEG PIVOT PIN COMPLETE	Kit	
25	808003.10009	LEG ADJUSTER PLATE COMPLETE	Kit	
26	808003.10010	LEG ADJUSTER SPRING ASSEMBLY	Kit	
27	808003.10128	LEG ADJUSTER HANDLE COMPLETE	Kit	
28	808003.10012	LEG ADJUSTER ROLLER AND FITTINGS	Kit	
29	808003.10013	SLING RETAINER ASSEMBLY	Kit	
30	ST-4102	HANDLE CLIPS	2	
31	EM-3629	HANDCONTROL (3 PIN AXL)	1	
32	336.00021	CONTROL PCB - CLARKES	1	
33	336.00016	CONTROL PCB EDGE CONNECTOR	1	
34	333.00020	EMERGENCY DOWN ROCKER SWITCH (FROM TSE 84157)	1	
35	808003.10017	EMERGENCY STOP SWITCH COMPLETE	Kit	
36	EL-3711	HANDCONTROL SOCKET (3 PIN AXL)	1	
37	000184.4005	HANDCONTROL PLUG (3 PIN AXL)	1	
38	332.00085	POWER/CHARGER SOCKET (4 PIN CLIFF)	1	
39	EL-3712	POWER PLUG (4 PIN CLIFF)	1	
40	331.00009	POWER CABLE GLAND	1	
41	TS-2923	POWER PACK COMPLETE	1	
42	337.00050	BATTERY 12VDC 3.2AHR	1	
43	TS-2870	CONTROL BOX	1	
44	336.00023	CONTROL PCB PLASTIC STANDOFF	2	
45	808003.10018	FUSEHOLDER COMPLETE	Kit	
46	335.00020	FUSE 25A	10	

# OXFORD STOWAWAY 140KG



This illustration and accompanying text set out in this document is the Property of SUNRISE MEDICAL LTD. and must not be copied or used for manufacturing, tendering or any other purpose without their permission.



539A20\*

# OXFORD STOWAWAY 140KG

ITEM NO.	PART NO.	DESCRIPTION	QTY	SERIAL NO.
1	091388.10000	CASTER KIT:75mm NYLON CASTER, M8 CSK SCREW	1	
2	091388.10001	REAR CASTER KIT: 100mm NYLON BRAKED CASTER M10 BUTTON HEAD BOLT	1	
3	417641.11000	LEG FABRICATION: SUITABLE FOR LEFT AND RIGHT CONFIG (DOES NOT INC CATERS)	1	
4	ST/3967	CROSS MEMBER ASSEMBLY, INCLUDING NUTSERT	1	
5	EM-2679	LINK RODS (LEFT & RIGHT SIDE) INCLUDING WASHERS	1	
6	232388.10000	PIVOT PLATE ASSEMBLY: INC; BELVILLE WASHERS, CIRCLIP, CAP	1	
7	457641.11000	MAST COMPLETE	1	
8	052641.11000	BOOM COMPLETE	1	
9	172001.10001	LINAK CONTROLLER	1	
10	000172.10000	LINAK BATTERY	1	
11	560000.10000	LINAK BATTERY AND CONTROLLER BRACKET AND FIXINGS	1	
12	TBA	LINAK BATTERY CHARGER AND DESK TOP UNIT	1	
13	293001.10000	LINAK HAND CONTROL	1	
14	182001.10003	LINAK ACTUATOR (300mm STROKE)	1	
15	232388.10007	LEG ADJUSTER HANDLE	1	
16	EM-3815	SPREADER BAR ASSEMBLY	1	
17	HY-4089	HYDRAULIC PUMP	NA	
		KITS AND FIXINGS COMPLETE		
18	232388.10009	MAST & BOOM FIXING KIT: X2 NYLON WASHERS, X1 NYLON PIVOT TUBE, X1 STEEL PIVOT PIN, X2 WASHERS, X2 M8 CSK BOLT	1	
19	TBA	CROSS MEMBER & LEG FIXING KIT: X2 M8 CASTER BOLTS CSK, X2 M10 BUTTON HEAD CASTER BOLTS, X2 LEG PIVOT PINS LONG (MAJOR/MAXI), X2 LEG PIVOT PINS SHORT (MINI, MIDI, STOWAWAY)	1	
20	232388.10004	ACTUATOR FULCRUM FIXING KIT: X2 FIXING PINS, X4 CIRCLIP,	1	
21	TBA	SPREADER BAR SERVICE KIT: X1 PADDING, X2 FULCRUM PIN CAPS, X1 BOOM END CAP, 2X CAP WASHERS, X2 CIRCLIPS X1 FULCRUM PINS, X2 SLING RETAINING PLATES COMPLETE	1	
22	N/A	LEG ADJUSTER SERVICE TOOL:	1	
23	TBA	DECAL SET:  COMMONLY REQUIRED ITEMS	1	
24	560662	HANDLE GRIP: LEG ADJUSTER HANDLE	15	
25	323-12050	HANDLE GRIP: HYDRAULIC PUMP HANDLE	15	
26	371-10054	CIRCLIP CAPS	20	

This page is intentionally blank

# CHAPTER 14 : OXFORD MIDI 150A

---



Sunrise Medical is ISO 9001 certified, which ensures quality at all stages of the development and production of this hoist.

## Contents

MODEL	SERIAL NO. RANGE	PAGE
OXFORD MIDI 150A		14.3
OXFORD MIDI 150A		14.5

## IMPORTANT

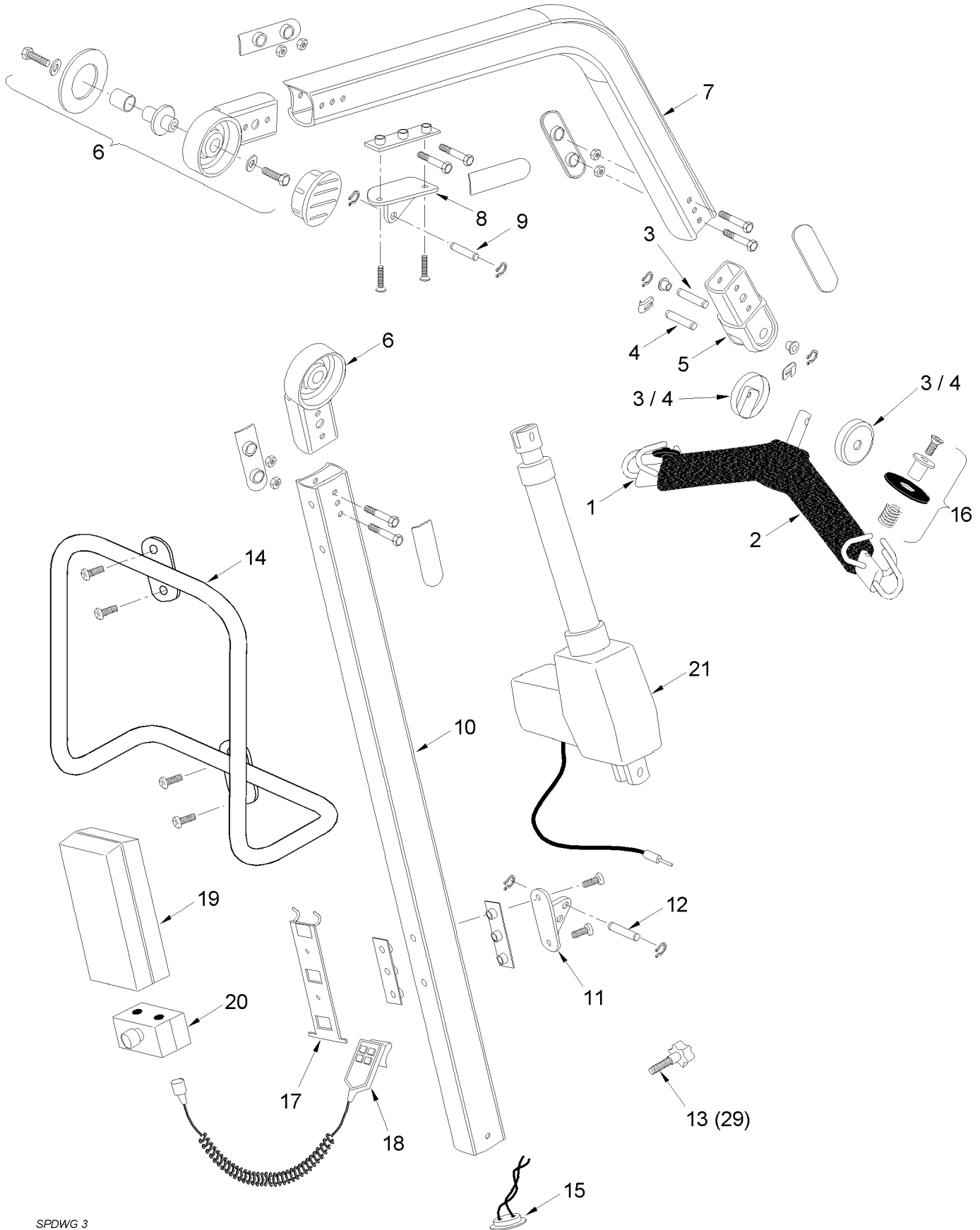
IT IS POTENTIALLY HAZARDOUS TO FIT OR USE ANY PARTS OTHER THAN GENUINE **SUNRISE MEDICAL PARTS**. THE COMPANY DISCLAIMS ALL LIABILITY FOR THE CONSEQUENCES OF SUCH USE, WHICH IN ADDITION VOIDS THE MACHINE WARRANTY.

THIS HOIST IS FOR THE CARRIAGE OF ONE PERSON AND **MUST NOT BE USED FOR ANY OTHER PURPOSE.**

# OXFORD MIDI 150A



This illustration and accompanying text set out in this Document is the Property of SUNRISE MEDICAL LTD. and must not be copied or used for manufacturing, tendering or any other purpose without their permission.



SPDWG 3

# OXFORD MIDI 150A

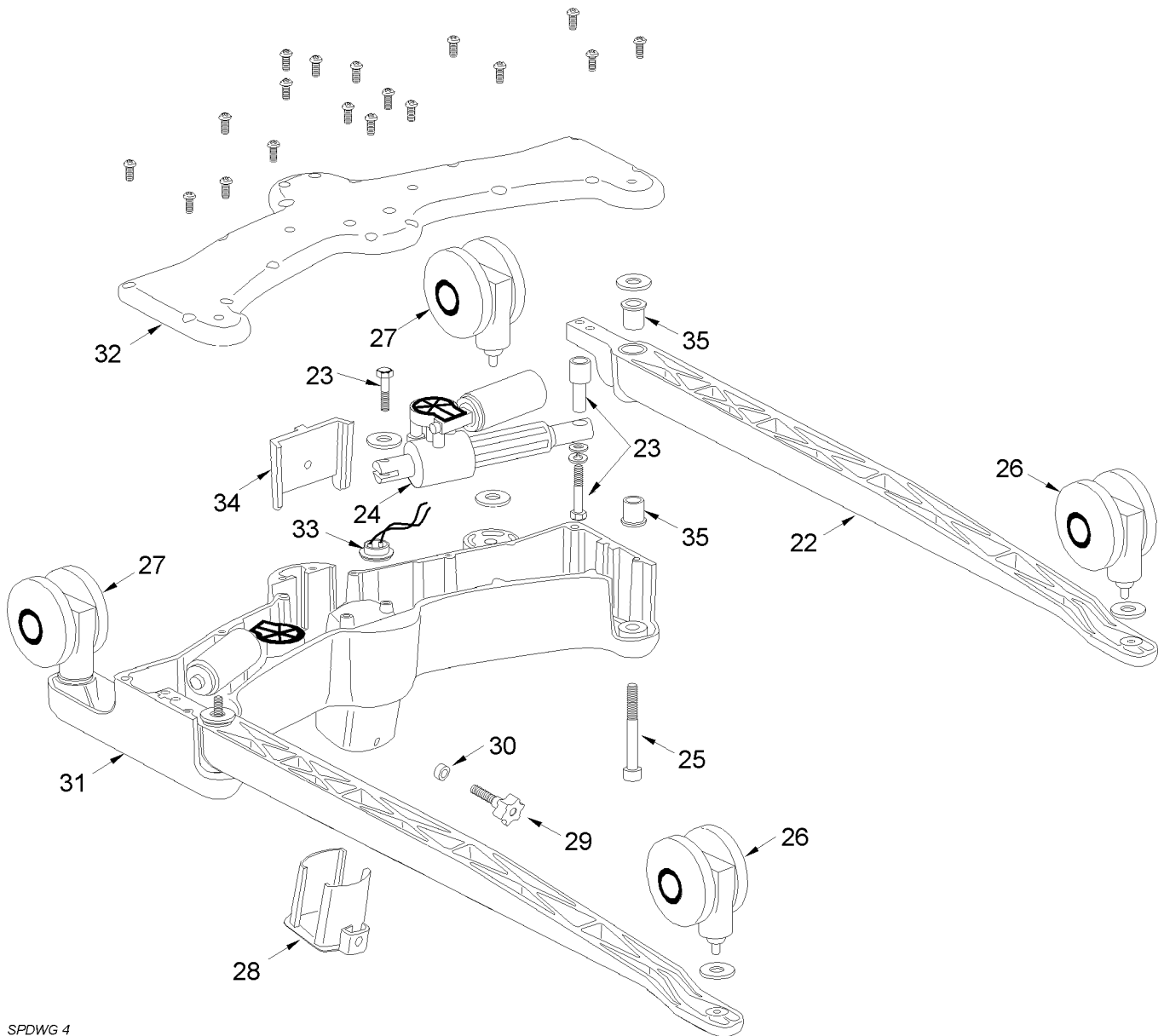
ITEM NO.	PART NO.	DESCRIPTION	QTY	SERIAL NO.
1	808003.10130	SPREADER BAR (GREEN) COMPLETE	Kit	
2	EM-2992	SPREADER BAR COVER (GREY)	1	
3	808003.10131	SPREADER BAR FULCRUM PIN (CIRCLIP FIXING) COMPLETE	Kit	
4	808003.10132	SPREADER BAR FULCRUM PIN (SPRING CLIP FIXING) COMPLETE	Kit	
5	808003.10133	SPREADER BAR END CASTING COMPLETE	Kit	
6	808003.10134	MAST/BOOM PIVOT ASSEMBLY COMPLETE	Kit	
7	NM-3714	BOOM ONLY	1	
8	808003.10135	ACTUATOR TOP MOUNTING BRKT. COMPLETE	Kit	
9	808003.10040	RAM/BOOM FULCRUM PIN COMPLETE	Kit	
10	NM-3715	MAST ONLY	1	
11	808003.10136	ACTUATOR BOTTOM MOUNTING BRKT. COMPLETE	Kit	
12	808003.10041	RAM/MAST FULCRUM PIN COMPLETE	Kit	
13	NM-3691	MAST LOCKING KNOB	1	
-	808003.10137	MAST AND BOOM PLASTIC TRIMS	Kit	
14	808003.10138	PUSH HANDLE COMPLETE	Kit	
15	NM-3634	MAST WIRING LOOM	1	
-	808003.10139	BOOM & MAST FIXINGS	Kit	
16	808003.10013	SLING RETAINER ASSEMBLY	Kit	
17	NM-3636	POWER PACK MOUNTING BRACKET	1	
18	NM-3637	HANDSET - LINAK HB50	1	
19	NM-3639	BATTERY PACK - LINAK BAJ1	1	
20	NM-3640	CONTROL BOX - LINAK CBJ1	1	
21	NM-3837	LINAK ACTUATOR + 500mm CABLE	1	



# OXFORD MIDI 150A



This illustration and accompanying text set out in this Document is the Property of SUNRISE MEDICAL LTD. and must not be copied or used for manufacturing, tendering or any other purpose without their permission.



SPDWG 4

# OXFORD MIDI 150A

ITEM NO.	PART NO.	DESCRIPTION	QTY	SERIAL NO.
22	808003.10140	LEG ONLY	Kit	
23	808003.10141	LEG ACTUATOR MOUNTING	Kit	
24	NM-3698	ACTUATOR - SKF 36A X 21mm STROKE	1	
25	808003.10142	LEG PIVOT BOLT	Kit	
26	808003.10143	FRONT CASTOR	Kit	
27	808003.10144	REAR CASTOR	Kit	
28	NM-3710	BASE INSERT SLEEVE	1	
29	NM-3691	MAST LOCKING KNOB	1	
30	NM-3609	LOCKING KNOB BUSH	1	
31	NM-3619	BASE CASTING ONLY	1	
32	NM-3620	BASE CASTING LID	1	
33	NM-3633	BASE WIRING LOOM	1	
-	808003.10145	BASE FIXINGS & TRIM	Kit	
34	NM-3732	BASE INSERT PLATE	1	
35	NM-3711	LEG PIVOT BUSH	2	

This page is intentionally blank

# CHAPTER 15 : OXFORD MONOLIFT

---



Sunrise Medical is ISO 9001 certified, which ensures quality at all stages of the development and production of this hoist.

## Contents

MODEL	SERIAL NO. RANGE	PAGE
OXFORD MONOLIFT V150 MARK I		15.3
OXFORD MONOLIFT H150 MARK I		15.5
OXFORD MONOLIFT V150 MARK II		15.7
OXFORD MONOLIFT H150 MARK II		15.9

## IMPORTANT

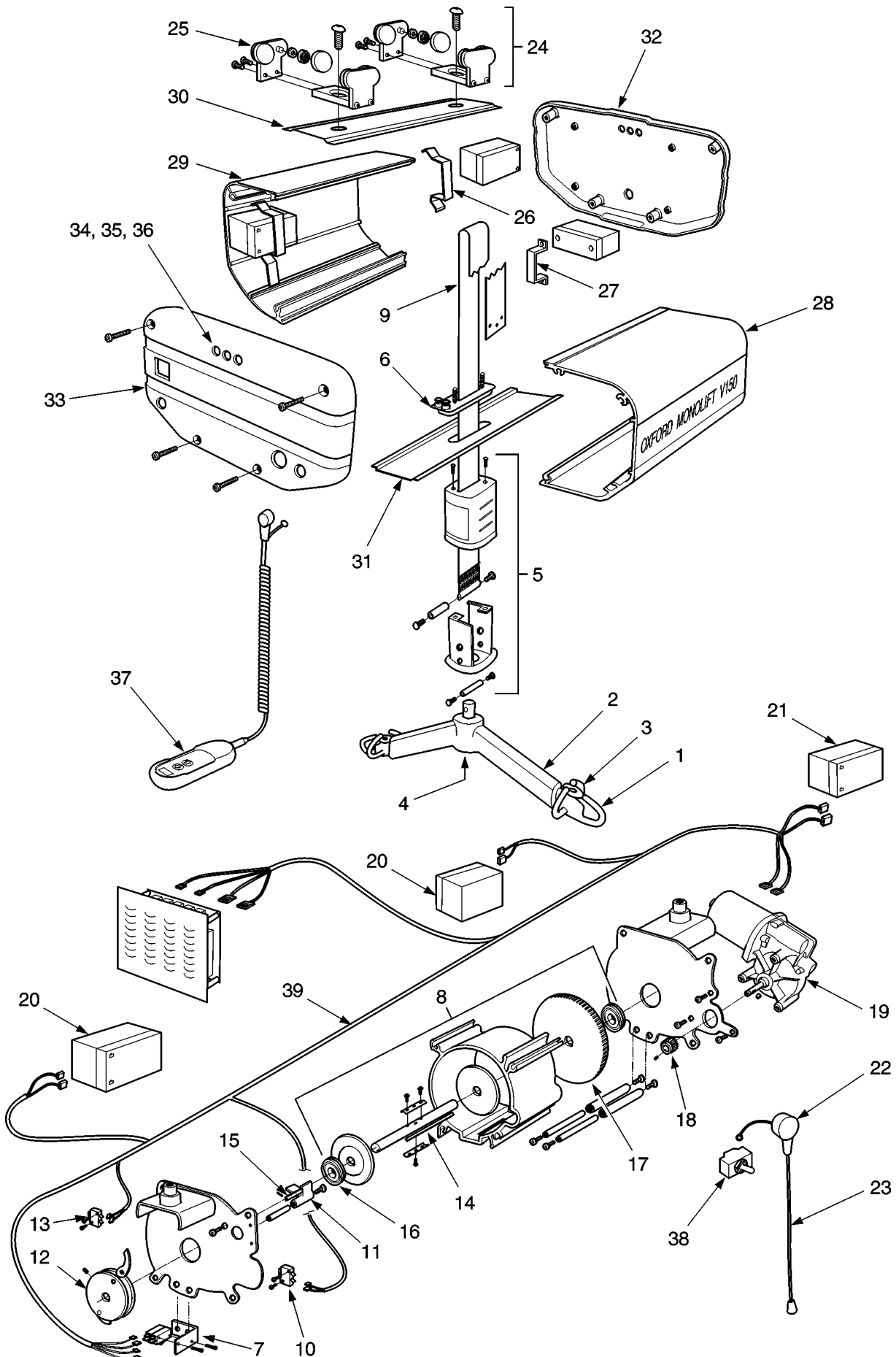
IT IS POTENTIALLY HAZARDOUS TO FIT OR USE ANY PARTS OTHER THAN GENUINE SUNRISE MEDICAL PARTS. THE COMPANY DISCLAIMS ALL LIABILITY FOR THE CONSEQUENCES OF SUCH USE, WHICH IN ADDITION VOIDS THE MACHINE WARRANTY.

THIS HOIST IS FOR THE CARRIAGE OF ONE PERSON AND MUST NOT BE USED FOR ANY OTHER PURPOSE.

# OXFORD MONOLIFT V150 MARK I



This illustration and accompanying text set out in this Document is the Property of SUNRISE MEDICAL LTD. and must not be copied or used for manufacturing, tendering or any other purpose without their permission.



539A132 V150 mk1

# OXFORD MONOLIFT V150 MARK I

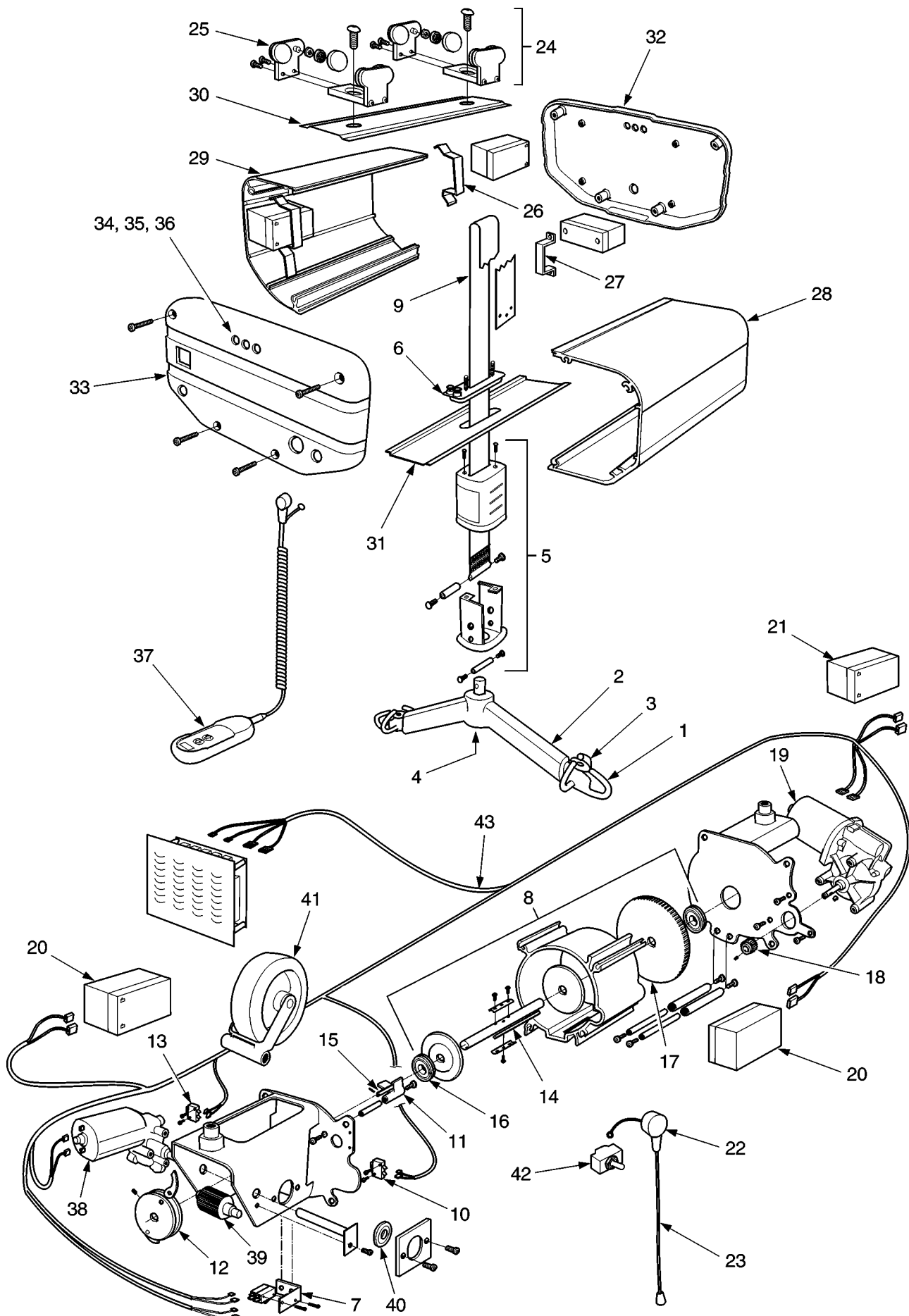
ITEM NO.	PART NO.	DESCRIPTION	QTY	SERIAL NO.
1	808003.10162	SPREADER BAR COMPLETE COMPRISING:	Kit	
2	EM-2993	SPREADER BAR COVER	1	
3	808003.10013	SLING RETAINER ASSEMBLY	1	
4	EM-3042	S/BAR WEAR WASHER	10	
5	808003.10163	SPREADER BAR PIVOT ASSEMBLY COMPRISING:	Kit	
6	808003.10164	RAISE LIMIT MOULDING ASSEMBLY COMPRISING:	Kit	
7	808003.10165	RAISE LIMIT MICROSWITCH ASSEMBLY COMPRISING:	Kit	
8	808003.10166	TAPE DRUM ASSEMBLY COMPLETE COMPRISING:	Kit	
9	CH-3200	LIFTING TAPE	1	
ND	CH-3767	LIFTING TAPE EXTENSION - 2M	1	
ND	CH-3768	LIFTING TAPE EXTENSION - 4M	1	
10	808003.10167	LOWER LIMIT MICROSWITCH COMPRISING:	Kit	
11	808003.10168	LOWER LIMIT STOP MOULDING COMPRISING:	Kit	
12	CH-3480	CENTRIFUGAL STOP ASSEMBLY	1	
13	808003.10169	CENTRIFUGAL STOP MICROSWITCH	Kit	
14	CH-3143	75 X 5 X 5 KEY (MAIN SHAFT)	1	
15	CH-3109	15 X 5 X 5 KEY (MAIN SHAFT)	1	
16	318.10035	MAIN BEARING	1	
17	CH-3106	SPUR GEAR, 88T	1	
18	CH-3105	SPUR GEAR 17T	1	
19	338.00030	MOTOR/GEARBOX	1	
20	337.00050	BATTERY 12V 3.2AHR	1	
21	337.00055	BATTERY 12V 1.2AHR	1	
22	CH-3352	EMERGENCY STOP/LOWER SWITCH – COVER	1	
23	CH-3906	EMERGENCY STOP/LOWER SWITCH – CORD ASSY	1	
24	808003.10170	CARRIAGE ASSEMBLY COMPRISING:	Kit	
25	808003.10171	CARRIAGE WHEEL SET COMPRISING:	Kit	
26	CH-3473	BATTERY STRAP	1	
27	CH-3124	12V X 1.2 BATTERY CLAMP	1	
28	CH-3469	SIDE CASING – EMERGENCY STOP SIDE	1	
29	CH-3173	SIDE CASING – PLAIN	1	
30	CH-3120	CASING – TOP PRESSING	1	
31	CH-3121	CASING – BOTTOM PRESSING	1	
32	CH-3500	END MOULDING – BATTERY END	1	
33	CH-3387	END MOULDING , PCB AND LOOM - MARK I	1	
34	332.00171	CHARGING SOCKET – RED	1	
35	332.00172	CHARGING SOCKET – BLACK	1	
36	332.00170	CHARGING SOCKET – BLUE	1	
37	CH-3384	HANDCONTROL (3 BUTTONS)	1	
ND	CH-3382	CHARGER/END STOP ASSEMBLY	1	
ND	CH-3234	STOP PILLAR – SHORT	1	
ND	CH-3235	STOP PILLAR - MEDIUM	1	
38	*	EMERGENCY STOP SWITCH	1	
39	*	LOOM	1	

\* Order by description only

# OXFORD MONOLIFT H150 MARK I



This illustration and accompanying text set out in this Document is the Property of SUNRISE MEDICAL LTD. and must not be copied or used for manufacturing, tendering or any other purpose without their permission.



539A134 H150 mk1

# OXFORD MONOLIFT H150 MARK I

ITEM NO.	PART NO.	DESCRIPTION	QTY	SERIAL NO.
1	808003.10162	SPREADER BAR COMPLETE COMPRISING:	Kit	
2	EM-2993	SPREADER BAR COVER	1	
3	808003.10013	SLING RETAINER ASSEMBLY	1	
4	EM-3042	S/BAR WEAR WASHER	10	
5	808003.10163	SPREADER BAR PIVOT ASSEMBLY COMPRISING:	Kit	
6	808003.10164	RAISE LIMIT MOULDING ASSEMBLY COMPRISING:	Kit	
7	808003.10165	RAISE LIMIT MICROSWITCH ASSEMBLY COMPRISING:	Kit	
8	808003.10166	TAPE DRUM ASSEMBLY COMPLETE COMPRISING:	Kit	
9	CH-3200	LIFTING TAPE	1	
ND	CH-3767	LIFTING TAPE EXTENSION - 2M	1	
ND	CH-3768	LIFTING TAPE EXTENSION - 4M	1	
10	808003.10167	LOWER LIMIT MICROSWITCH COMPRISING:	Kit	
11	808003.10168	LOWER LIMIT STOP MOULDING COMPRISING:	Kit	
12	CH-3480	CENTRIFUGAL STOP ASSEMBLY	1	
13	808003.10169	CENTRIFUGAL STOP MICROSWITCH	Kit	
14	CH-3143	75 X 5 X 5 KEY (MAIN SHAFT)	1	
15	CH-3109	15 X 5 X 5 KEY (MAIN SHAFT)	1	
16	318.10035	MAIN BEARING	1	
17	CH-3106	SPUR GEAR, 88T	1	
18	CH-3105	SPUR GEAR 17T	1	
19	338.00030	MOTOR/GEARBOX	1	
20	337.00050	BATTERY 12V 3.2AHR	1	
21	337.00055	BATTERY 12V 1.2AHR	1	
22	CH-3352	EMERGENCY STOP/LOWER SWITCH – COVER	1	
23	CH-3906	EMERGENCY STOP/LOWER SWITCH – CORD ASSY	1	
24	808003.10170	CARRIAGE ASSEMBLY COMPRISING:	Kit	
25	808003.10171	CARRIAGE WHEEL SET COMPRISING:	Kit	
26	CH-3473	BATTERY STRAP	1	
27	CH-3124	12V X 1.2 BATTERY CLAMP	1	
28	CH-3470	SIDE CASING – EMERGENCY STOP SIDE	1	
29	CH-3174	SIDE CASING – PLAIN	1	
30	CH-3161	CASING – TOP PRESSING	1	
31	CH-3162	CASING – BOTTOM PRESSING	1	
32	CH-3500	END MOULDING – BATTERY END	1	
33	CH-3386	END MOULDING , PCB AND LOOM - MARK I	1	
34	332.00171	CHARGING SOCKET – RED	1	
35	332.00172	CHARGING SOCKET – BLACK	1	
36	332.00170	CHARGING SOCKET – BLUE	1	
37	CH-3385	HANDCONTROL (5 BUTTONS)	1	
ND	CH-3382	CHARGER/END STOP ASSEMBLY	1	
ND	CH-3234	STOP PILLAR – SHORT	1	
ND	CH-3236	STOP PILLAR - LONG	1	
38	338.00030	MOTOR - TRAVERSE	1	
39	CH-3169	TRAVERSE WHEEL DRIVE	1	
40	381.10037	BEARING	1	
41	CH-3485	DRIVE WHEEL ASSEMBLY	1	
42	*	EMERGENCY STOP SWITCH	1	
43	*	LOOM	1	

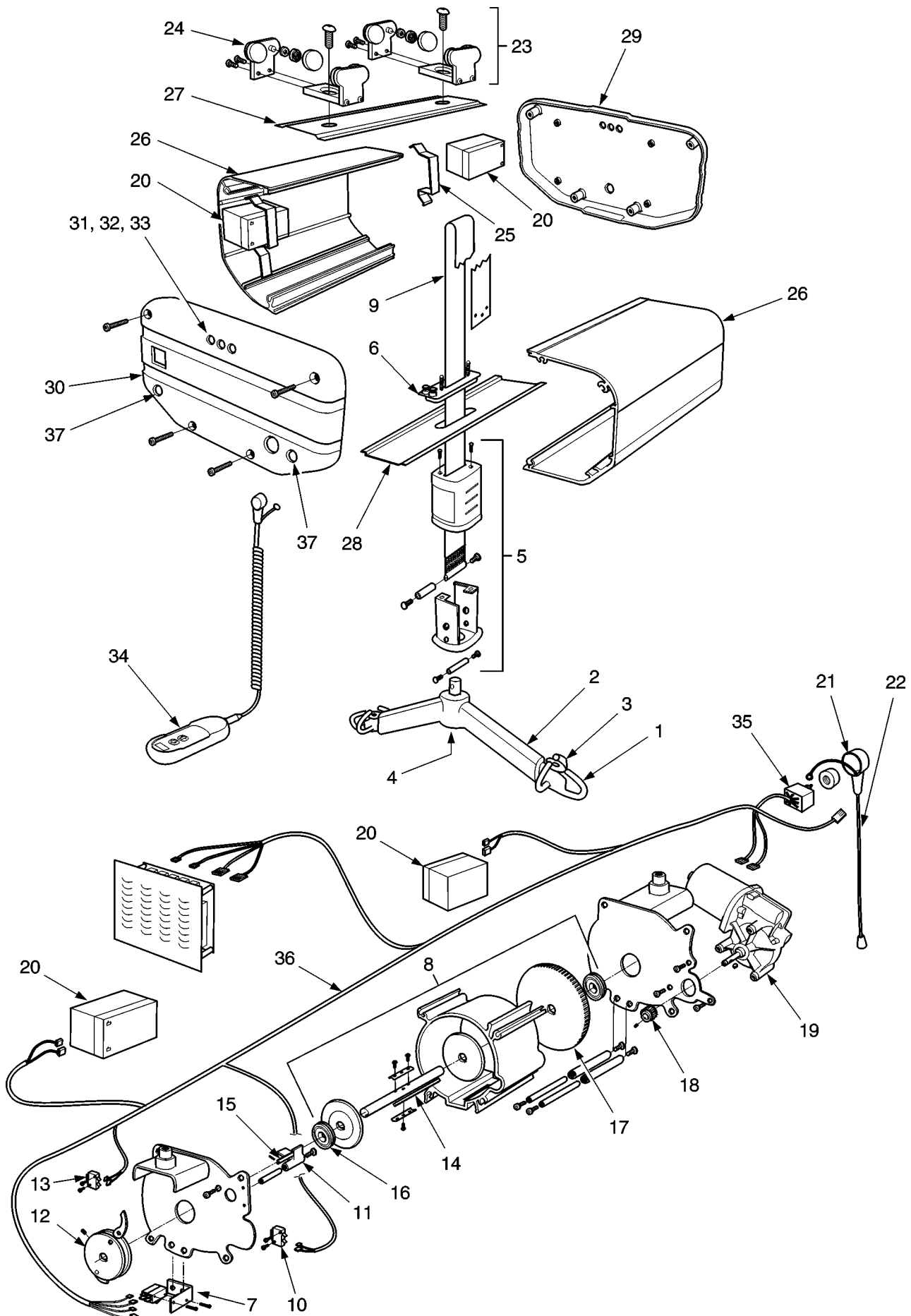
\* Order by description only



# OXFORD MONOLIFT V150 MARK II



This illustration and accompanying text set out in this Document is the Property of SUNRISE MEDICAL LTD. and must not be copied or used for manufacturing, tendering or any other purpose without their permission.



539A133 V150 mk2

# OXFORD MONOLIFT V150 MARK II

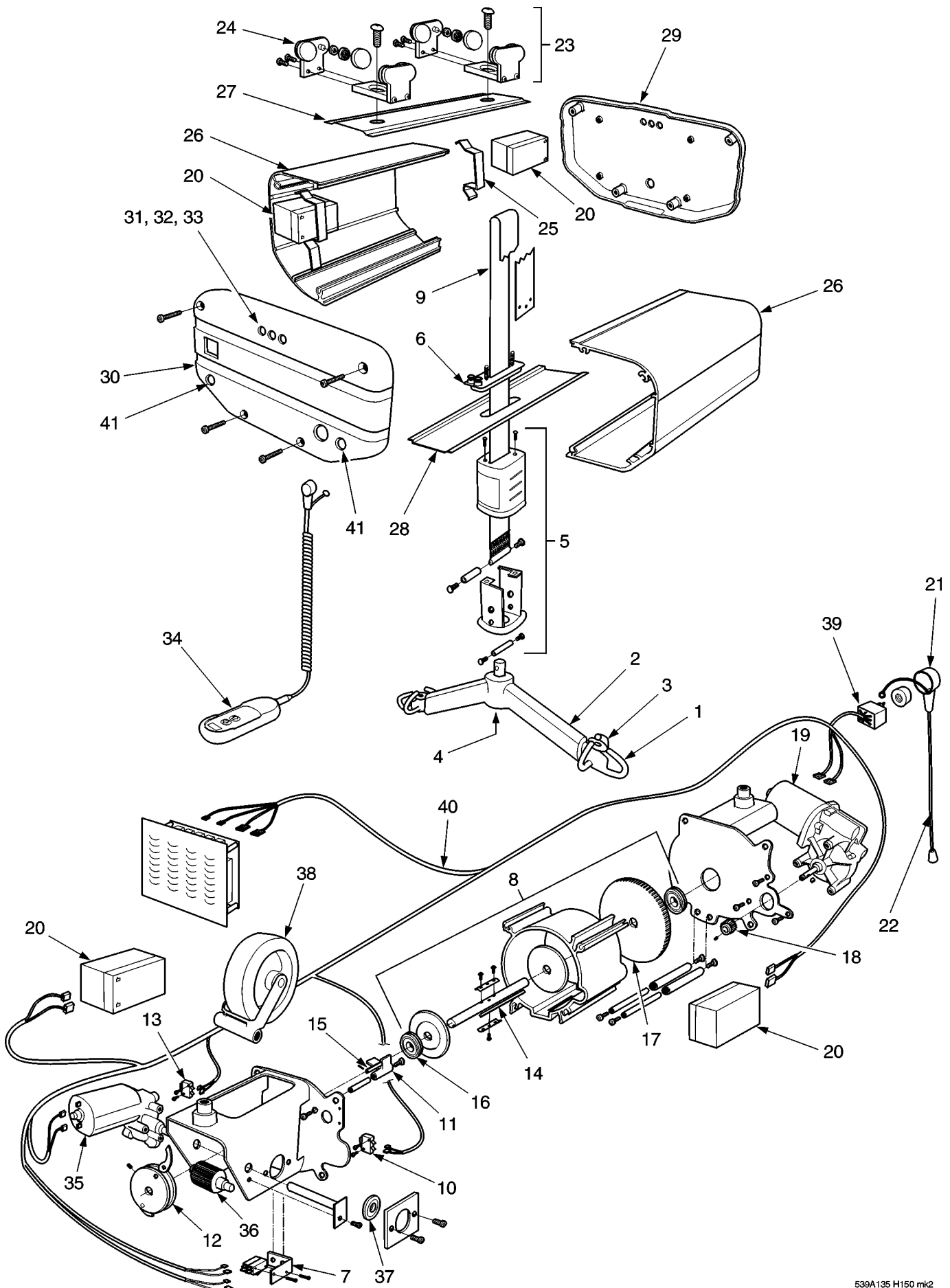
ITEM NO.	PART NO.	DESCRIPTION	QTY	SERIAL NO.
1	808003.10162	SPREADER BAR COMPLETE COMPRISING:	Kit	
2	EM-2993	SPREADER BAR COVER	1	
3	808003.10013	SLING RETAINER ASSEMBLY	1	
4	EM-3042	S/BAR WEAR WASHER	10	
5	808003.10163	SPREADER BAR PIVOT ASSEMBLY COMPRISING:	Kit	
6	808003.10164	RAISE LIMIT MOULDING ASSEMBLY COMPRISING:	Kit	
7	808003.10165	RAISE LIMIT MICROSWITCH ASSEMBLY COMPRISING:	Kit	
8	808003.10166	TAPE DRUM ASSEMBLY COMPLETE COMPRISING:	Kit	
9	CH-3200	LIFTING TAPE	1	
ND	CH-3767	LIFTING TAPE EXTENSION - 2M	1	
ND	CH-3768	LIFTING TAPE EXTENSION - 4M	1	
10	808003.10167	LOWER LIMIT MICROSWITCH COMPRISING:	Kit	
11	808003.10168	LOWER LIMIT STOP MOULDING COMPRISING:	Kit	
12	CH-3480	CENTRIFUGAL STOP ASSEMBLY	1	
13	808003.10169	CENTRIFUGAL STOP MICROSWITCH	Kit	
14	CH-3143	75 X 5 X 5 KEY (MAIN SHAFT)	1	
15	CH-3109	15 X 5 X 5 KEY (MAIN SHAFT)	1	
16	318.10035	MAIN BEARING	1	
17	CH-3106	SPUR GEAR, 88T	1	
18	CH-3105	SPUR GEAR 17T	1	
19	338.00030	MOTOR/GEARBOX	1	
20	337.00050	BATTERY 12V 3.2AHR	1	
21	CH-3352	EMERGENCY STOP/LOWER SWITCH – COVER	1	
22	CH-3906	EMERGENCY STOP/LOWER SWITCH – CORD ASSY	1	
23	808003.10170	CARRIAGE ASSEMBLY COMPRISING:	Kit	
24	808003.10171	CARRIAGE WHEEL SET COMPRISING:	Kit	
25	CH-3473	BATTERY STRAP	1	
26	CH-3173	SIDE CASING – PLAIN RH & LH	1	
27	CH-3120	CASING – TOP PRESSING	1	
28	CH-3121	CASING – BOTTOM PRESSING	1	
29	CH-3945	END MOULDING - EMERGENCY STOP END	1	
30	CH-3816	END MOULDING , PCB AND LOOM - MARK II	1	
31	332.00171	CHARGING SOCKET – RED	1	
32	332.00172	CHARGING SOCKET – BLACK	1	
33	332.00170	CHARGING SOCKET – BLUE	1	
34	CH-3805	HANDCONTROL (2 BUTTONS)	1	
ND	CH-3382	CHARGER/END STOP ASSEMBLY	1	
ND	CH-3234	STOP PILLAR – SHORT	1	
ND	CH-3235	STOP PILLAR - MEDIUM	1	
35	*	EMERGENCY STOP SWITCH	1	
36	*	LOOM	1	
37	000176.0002	FUSE 2.5 AMP SLO-BLO	10	

\* Order by description only

# OXFORD MONOLIFT H150 MARK II



This illustration and accompanying text set out in this Document is the Property of SUNRISE MEDICAL LTD. and must not be copied or used for manufacturing, tendering or any other purpose without their permission.



539A135 H150 mk2

# OXFORD MONOLIFT H150 MARK II

ITEM NO.	PART NO.	DESCRIPTION	QTY	SERIAL NO.
1	808003.10162	SPREADER BAR COMPLETE COMPRISING:	Kit	
2	EM-2993	SPREADER BAR COVER	1	
3	808003.10013	SLING RETAINER ASSEMBLY	1	
4	EM-3042	S/BAR WEAR WASHER	10	
5	808003.10163	SPREADER BAR PIVOT ASSEMBLY COMPRISING:	Kit	
6	808003.10164	RAISE LIMIT MOULDING ASSEMBLY COMPRISING:	Kit	
7	808003.10165	RAISE LIMIT MICROSWITCH ASSEMBLY COMPRISING:	Kit	
8	808003.10166	TAPE DRUM ASSEMBLY COMPLETE COMPRISING:	Kit	
9	CH-3200	LIFTING TAPE	1	
ND	CH-3767	LIFTING TAPE EXTENSION - 2M	1	
ND	CH-3768	LIFTING TAPE EXTENSION - 4M	1	
10	808003.10167	LOWER LIMIT MICROSWITCH COMPRISING:	Kit	
11	808003.10168	LOWER LIMIT STOP MOULDING COMPRISING:	Kit	
12	CH-3480	CENTRIFUGAL STOP ASSEMBLY	1	
13	808003.10169	CENTRIFUGAL STOP MICROSWITCH	Kit	
14	CH-3143	75 X 5 X 5 KEY (MAIN SHAFT)	1	
15	CH-3109	15 X 5 X 5 KEY (MAIN SHAFT)	1	
16	318.10035	MAIN BEARING	1	
17	CH-3106	SPUR GEAR, 88T	1	
18	CH-3105	SPUR GEAR 17T	1	
19	338.00030	MOTOR/GEARBOX	1	
20	337.00050	BATTERY 12V 3.2AHR	1	
21	CH-3352	EMERGENCY STOP/LOWER SWITCH – COVER	1	
22	CH-3906	EMERGENCY STOP/LOWER SWITCH – CORD ASSY	1	
23	808003.10170	CARRIAGE ASSEMBLY COMPRISING:	Kit	
24	808003.10171	CARRIAGE WHEEL SET COMPRISING:	Kit	
25	CH-3473	BATTERY STRAP	1	
26	CH-3174	SIDE CASING – PLAIN RH & LH	1	
27	CH-3161	CASING – TOP PRESSING	1	
28	CH-3162	CASING – BOTTOM PRESSING	1	
29	CH-3945	END MOULDING – EMERGENCY DOWN END	1	
30	CH-3818	END MOULDING , PCB AND LOOM - MARK II	1	
31	332.00171	CHARGING SOCKET – RED	1	
32	332.00172	CHARGING SOCKET – BLACK	1	
33	332.00170	CHARGING SOCKET – BLUE	1	
34	CH-3804	HANDCONTROL (4 BUTTONS)	1	
ND	CH-3382	CHARGER/END STOP ASSEMBLY	1	
ND	CH-3234	STOP PILLAR – SHORT	1	
ND	CH-3236	STOP PILLAR - LONG	1	
35	338.00030-A	MOTOR - TRAVERSE	1	
36	CH-3794	TRAVERSE WHEEL DRIVE	1	
37	381.10037	BEARING	1	
38	CH-3485	DRIVE WHEEL ASSEMBLY	1	
39	*	EMERGENCY STOP SWITCH	1	
40	*	LOOM	1	
41	000176.0002	FUSE 2.5 AMP SLO-BLO	10	

\* Order by description only

This page is intentionally blank